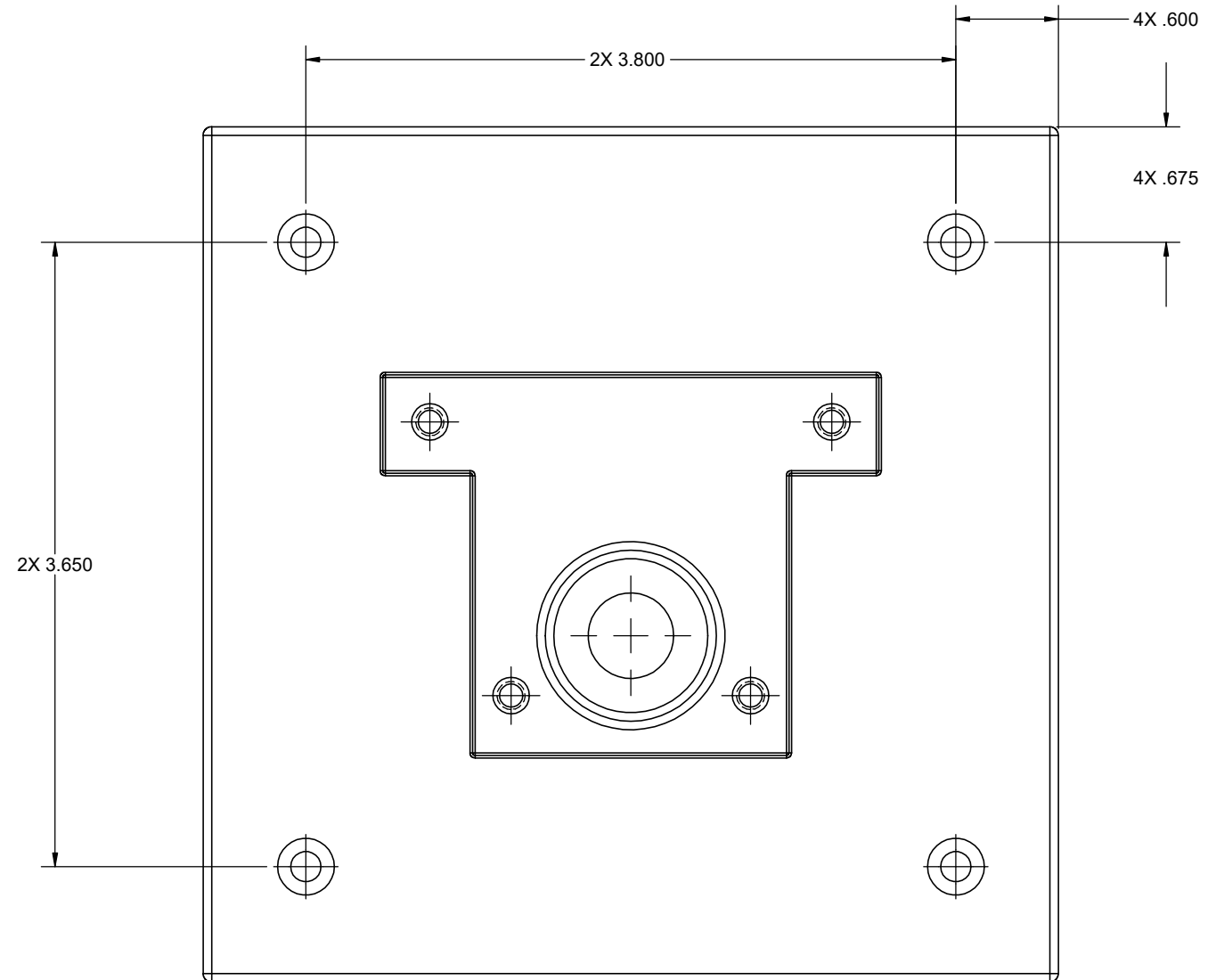


CONFIDENTIAL AND PROPRIETARY
 THIS DRAWING/DOCUMENT CONTAINS TRADE SECRET INFORMATION OF HUNTER INDUSTRIES, INC. USE, PUBLICATION, AND/OR DISCLOSURE OF THIS INFORMATION TO THIRD PARTIES ARE ALL PROHIBITED EXCEPT AS EXPRESSLY AUTHORIZED IN ADVANCE BY HUNTER. NO PATENT LICENSE IS GRANTED TO ANY INVENTIONS DESCRIBED AND/OR ILLUSTRATED HEREIN. ©COPYRIGHT HUNTER INDUSTRIES, INC.



REV	E0000		AAA	7/22/2012
ECO		REVISION DESCRIPTION	DRFT	DATE

UNLESS OTHERWISE SPECIFIED:		★ DENOTES CRITICAL INSPECTION POINTS ○ DENOTES FUNCTIONALLY CRITICAL POINTS		Hunter Hunter Industries Engineering 1940 Diamond St. San Marcos, CA 92078	
SURFACE FINISH:	DIMENSIONAL TOLERANCES: .XX = ±.01 .XXX = ±.005 .XXXX = ±.0005	SCALE: 1:1	SIZE: B	TITLE: NL JUNCTION BOX COVER	
THIRD ANGLE PROJ. 	ANGLES: ±1°	REL. DATE:	DRAWN BY:	PRODUCT: NL	DRAWING NO. 2500228700XX
ALL DIMENSIONS ARE IN INCHES		Color:	MATERIAL:	REV. A1	
DO NOT SCALE DRAWING		PRINT DATE: 3/20/2023	SHEET 1 OF 1		