

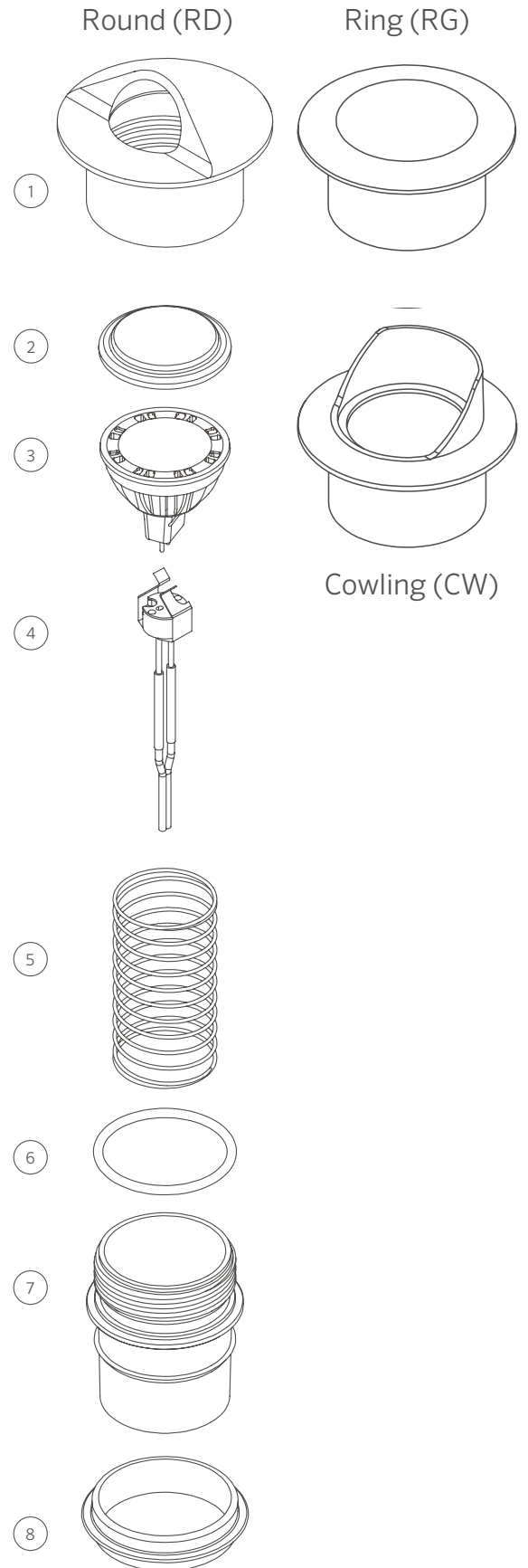
STANDARD | IN-GRADE | CORA CN-51

Replacement Parts

ITEM	DESCRIPTION	PART #	
1	Faceplate	CN51-FP-ZZ-AB	
2	Lens	†	
3	Lamp, MR-16	See Lamp Chart	
4	Socket, 10' (3 m)	†	
5	Spring	†	
6	O-Ring	250010280042	
8	Gasket	2½" Schedule 40	250032900000
		SDR-21, Thin Wall	250038180000

* ZZ = Faceplate style

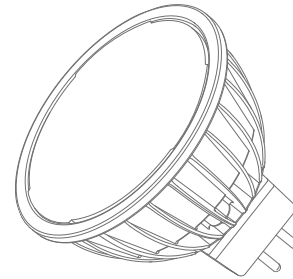
† This part is not serviceable. Contact Customer Support or a local distributor to order a complete product.



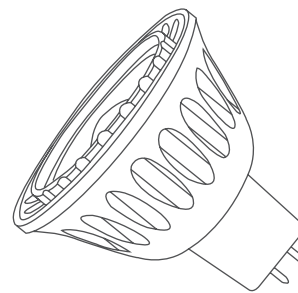
LAMPS | MR-16 LAMPS

MR-16 LED Lamp Chart

LUMENS / VA	CCT	BEAM ANGLE	PART #
272 lm / 4.2 VA	2700K	10° Very Narrow	MR16-LED-20-W-VN
247 lm / 4.2 VA	2700K	35° Flood	MR16-LED-20-W-FL
238 lm / 4.2 VA	2700K	60° Wide Flood	MR16-LED-20-W-WF
458 lm / 5.3 VA	2700K	10° Very Narrow	MR16-LED-35-W-VN
394 lm / 5.3 VA	2700K	35° Flood	MR16-LED-35-W-FL
310 lm / 5.3 VA	2700K	60° Wide Flood	MR16-LED-35-W-WF
447 lm / 6.5 VA	2700K	35° Flood	MR16-LED-50-W-FL
287 lm / 4.2 VA	3000K	10° Very Narrow	MR16-LED-20-S-VN
238 lm / 4.2 VA	3000K	35° Flood	MR16-LED-20-S-FL
242 lm / 4.2 VA	3000K	60° Wide Flood	MR16-LED-20-S-WF
458 lm / 5.3 VA	3000K	10° Very Narrow	MR16-LED-35-S-VN
394 lm / 5.3 VA	3000K	35° Flood	MR16-LED-35-S-FL
380 lm / 5.3 VA	3000K	60° Wide Flood	MR16-LED-35-S-WF
505 lm / 6.5 VA	3000K	35° Flood	MR16-LED-50-S-FL
287 lm / 4.2 VA	3900K	10° Very Narrow	MR16-LED-20-C-VN
288 lm / 4.2 VA	3900K	35° Flood	MR16-LED-20-C-FL
290 lm / 4.2 VA	3900K	60° Wide Flood	MR16-LED-20-C-WF
365 lm / 5.3 VA	3900K	10° Very Narrow	MR16-LED-35-C-VN
340 lm / 5.3 VA	3900K	35° Flood	MR16-LED-35-C-FL
350 lm / 5.3 VA	3900K	60° Wide Flood	MR16-LED-35-C-WF
464 lm / 6.5 VA	3900K	35° Flood	MR16-LED-50-C-FL



MR-16 LED/MR-16 ZD LED



MR-16 Eco LED

MR-16 ZD LED Lamp Chart

LUMENS / VA	CCT	BEAM ANGLE	PART #
458 lm / 5.3 VA	2700K	10° Very Narrow	MR16-ZD-35-W-VN
394 lm / 5.3 VA	2700K	35° Flood	MR16-ZD-35-W-FL
310 lm / 5.3 VA	2700K	60° Wide Flood	MR16-ZD-35-W-WF
447 lm / 6.5 VA	2700K	35° Flood	MR16-ZD-50-W-FL
458 lm / 5.3 VA	3000K	10° Very Narrow	MR16-ZD-35-S-VN
394 lm / 5.3 VA	3000K	35° Flood	MR16-ZD-35-S-FL
380 lm / 5.3 VA	3000K	60° Wide Flood	MR16-ZD-35-S-WF
505 lm / 6.5 VA	3000K	35° Flood	MR16-ZD-50-S-FL
365 lm / 5.3 VA	3900K	10° Very Narrow	MR16-ZD-35-C-VN
340 lm / 5.3 VA	3900K	35° Flood	MR16-ZD-35-C-FL
350 lm / 5.3 VA	3900K	60° Wide Flood	MR16-ZD-35-C-WF
464 lm / 6.5 VA	3900K	35° Flood	MR16-ZD-50-C-FL

MR-16 Eco LED Lamp Chart

LUMENS / VA	CCT	BEAM ANGLE	PART #
490 lm / 6.0 VA	2700K	30° Flood	MR16-E-6-W-FL
440 lm / 6.0 VA	2700K	60° Wide Flood	MR16-E-6-W-WF
635 lm / 8.5 VA	2700K	30° Flood	MR16-E-9-W-FL
565 lm / 8.5 VA	2700K	60° Wide Flood	MR16-E-9-W-WF



fxl.com/MR-16