

DESIGNER | RECESSED WALL LIGHT | PO

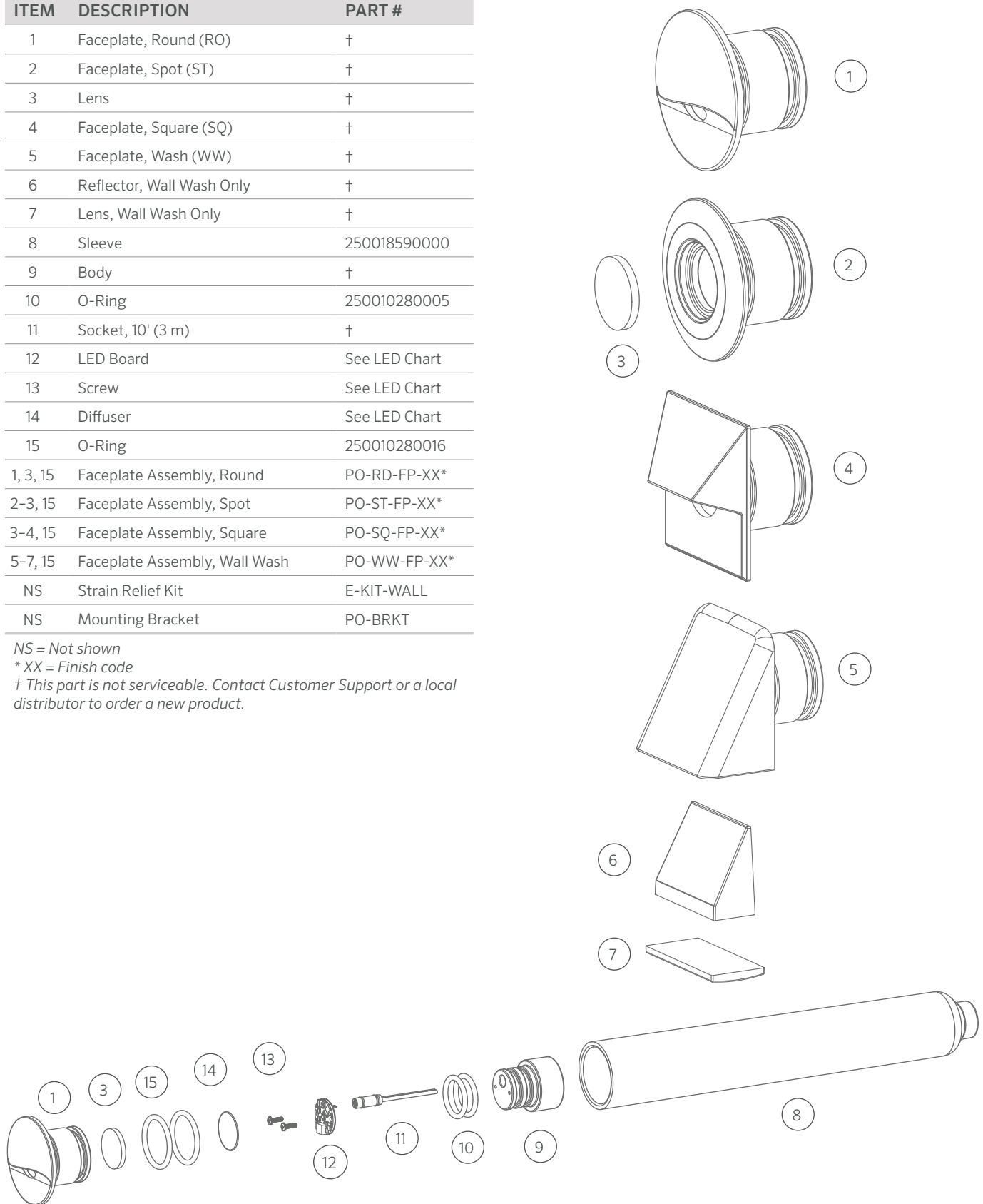
Replacement Parts

ITEM	DESCRIPTION	PART #
1	Faceplate, Round (RO)	†
2	Faceplate, Spot (ST)	†
3	Lens	†
4	Faceplate, Square (SQ)	†
5	Faceplate, Wash (WW)	†
6	Reflector, Wall Wash Only	†
7	Lens, Wall Wash Only	†
8	Sleeve	250018590000
9	Body	†
10	O-Ring	250010280005
11	Socket, 10' (3 m)	†
12	LED Board	See LED Chart
13	Screw	See LED Chart
14	Diffuser	See LED Chart
15	O-Ring	250010280016
1, 3, 15	Faceplate Assembly, Round	PO-RD-FP-XX*
2-3, 15	Faceplate Assembly, Spot	PO-ST-FP-XX*
3-4, 15	Faceplate Assembly, Square	PO-SQ-FP-XX*
5-7, 15	Faceplate Assembly, Wall Wash	PO-WW-FP-XX*
NS	Strain Relief Kit	E-KIT-WALL
NS	Mounting Bracket	PO-BRKT

NS = Not shown

*XX = Finish code

† This part is not serviceable. Contact Customer Support or a local distributor to order a new product.



DESIGNER | LED REPLACEMENT CHART | PO

2nd Gen LED Chart

DESCRIPTION	PART #
LED Replacement Kits (Board, Reflector, Screws, Beam Angle Lenses)	
ZD 1 LED Up Light Kit (2700K)	KIT-ZD-1LED-RD-W
1 LED Up Light Kit (2700K)	DKIT-1LED-W-RD-OP
1 LED Up Light Kit (3000K)	DKIT-1LED-S-RD-OP
1 LED Up Light Kit (4000K)	DKIT-1LED-C-RD-OP
Diffuser	
Diffuser	250035130000
Screws	
1 LED/3 LED Screw, #4-40 x 3/8" (Qty Req: 2)	762400

1st Gen LED Chart

DESCRIPTION	PART #
LED Replacement Kits (Board, Color Filters, Reflector, Screws)	
ZD 1 LED Up Light Kit (3900K)	ZD-1LED-UL-KIT
Color Filters	
Color Filter, Amber	250015900000
Color Filter, Blue	250015900001
Color Filter, Green	250015900002