

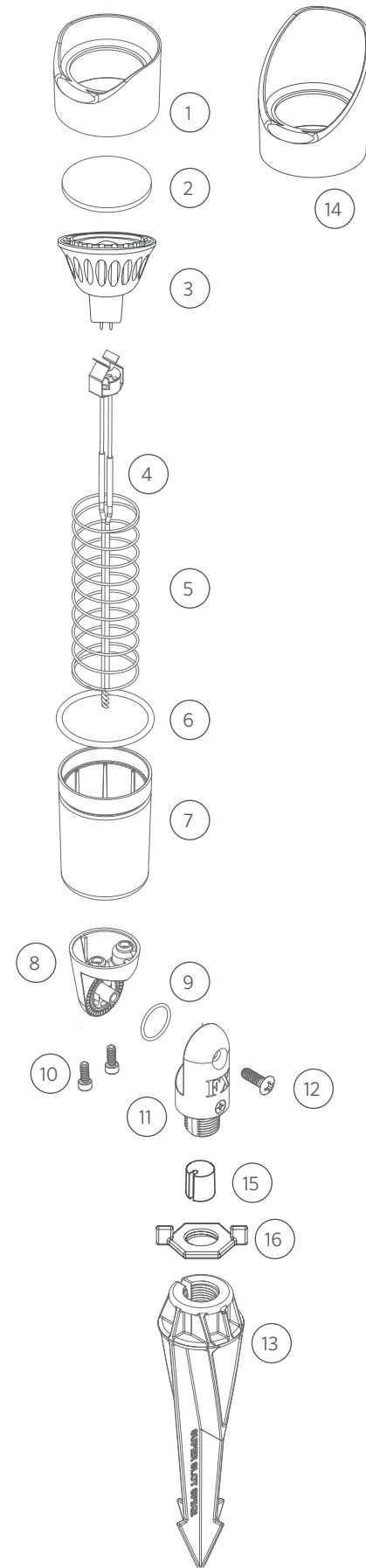
STANDARD | UP LIGHT | RS

Replacement Parts

ITEM	DESCRIPTION	PART #
1	Short Shroud	†
2	Lens	†
3	Lamp, MR-16	See MR-16 Lamp Charts
4	Socket, 10' (3 m)	761600
5	Spring	†
6	O-Ring, Large	250010280017
7	Housing	†
8	Knuckle Base	†
9	O-Ring, Small	250010280002
10	Screw, #10-24 x 3/8"	250013940000
11	Knuckle	†
12	Screw, 1/4"-20 x 3/4"	250010290000
11-12	Knuckle Subassembly	KFM-050-XX*
13	Super Slot Spike	753900
14	Long Shroud	†
15	Critter Plug	250031010000SP
16	Lock Ring	250030410000SP
1-2, 6	Lens Cap Assembly, Short	Clear RS-LC-XX*
		Frosted RS-LF-XX*
2, 6, 14	Lens Cap Assembly, Long	Clear RS-LC-LS-XX*
		Frosted RS-LF-LS-XX*

* XX = Finish code

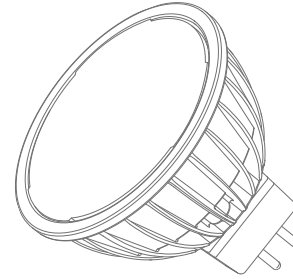
† This part is not serviceable. Contact Customer Support or a local distributor to order a new product.



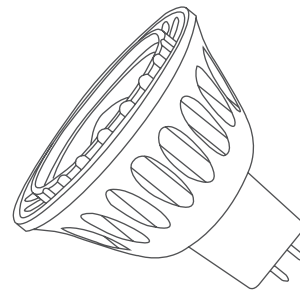
LAMPS | MR-16 LAMPS

MR-16 LED Lamp Chart

LUMENS / VA	CCT	BEAM ANGLE	PART #
272 lm / 4.2 VA	2700K	10° Very Narrow	MR16-LED-20-W-VN
247 lm / 4.2 VA	2700K	35° Flood	MR16-LED-20-W-FL
238 lm / 4.2 VA	2700K	60° Wide Flood	MR16-LED-20-W-WF
458 lm / 5.3 VA	2700K	10° Very Narrow	MR16-LED-35-W-VN
394 lm / 5.3 VA	2700K	35° Flood	MR16-LED-35-W-FL
310 lm / 5.3 VA	2700K	60° Wide Flood	MR16-LED-35-W-WF
447 lm / 6.5 VA	2700K	35° Flood	MR16-LED-50-W-FL
287 lm / 4.2 VA	3000K	10° Very Narrow	MR16-LED-20-S-VN
238 lm / 4.2 VA	3000K	35° Flood	MR16-LED-20-S-FL
242 lm / 4.2 VA	3000K	60° Wide Flood	MR16-LED-20-S-WF
458 lm / 5.3 VA	3000K	10° Very Narrow	MR16-LED-35-S-VN
394 lm / 5.3 VA	3000K	35° Flood	MR16-LED-35-S-FL
380 lm / 5.3 VA	3000K	60° Wide Flood	MR16-LED-35-S-WF
505 lm / 6.5 VA	3000K	35° Flood	MR16-LED-50-S-FL
287 lm / 4.2 VA	3900K	10° Very Narrow	MR16-LED-20-C-VN
288 lm / 4.2 VA	3900K	35° Flood	MR16-LED-20-C-FL
290 lm / 4.2 VA	3900K	60° Wide Flood	MR16-LED-20-C-WF
365 lm / 5.3 VA	3900K	10° Very Narrow	MR16-LED-35-C-VN
340 lm / 5.3 VA	3900K	35° Flood	MR16-LED-35-C-FL
350 lm / 5.3 VA	3900K	60° Wide Flood	MR16-LED-35-C-WF
464 lm / 6.5 VA	3900K	35° Flood	MR16-LED-50-C-FL



MR-16 LED/MR-16 ZD LED



MR-16 Eco LED

MR-16 ZD LED Lamp Chart

LUMENS / VA	CCT	BEAM ANGLE	PART #
458 lm / 5.3 VA	2700K	10° Very Narrow	MR16-ZD-35-W-VN
394 lm / 5.3 VA	2700K	35° Flood	MR16-ZD-35-W-FL
310 lm / 5.3 VA	2700K	60° Wide Flood	MR16-ZD-35-W-WF
447 lm / 6.5 VA	2700K	35° Flood	MR16-ZD-50-W-FL
458 lm / 5.3 VA	3000K	10° Very Narrow	MR16-ZD-35-S-VN
394 lm / 5.3 VA	3000K	35° Flood	MR16-ZD-35-S-FL
380 lm / 5.3 VA	3000K	60° Wide Flood	MR16-ZD-35-S-WF
505 lm / 6.5 VA	3000K	35° Flood	MR16-ZD-50-S-FL
365 lm / 5.3 VA	3900K	10° Very Narrow	MR16-ZD-35-C-VN
340 lm / 5.3 VA	3900K	35° Flood	MR16-ZD-35-C-FL
350 lm / 5.3 VA	3900K	60° Wide Flood	MR16-ZD-35-C-WF
464 lm / 6.5 VA	3900K	35° Flood	MR16-ZD-50-C-FL

MR-16 Eco LED Lamp Chart

LUMENS / VA	CCT	BEAM ANGLE	PART #
490 lm / 6.0 VA	2700K	30° Flood	MR16-E-6-W-FL
440 lm / 6.0 VA	2700K	60° Wide Flood	MR16-E-6-W-WF
635 lm / 8.5 VA	2700K	30° Flood	MR16-E-9-W-FL
565 lm / 8.5 VA	2700K	60° Wide Flood	MR16-E-9-W-WF



fxl.com/MR-16