

STANDARD | UP LIGHT | LR

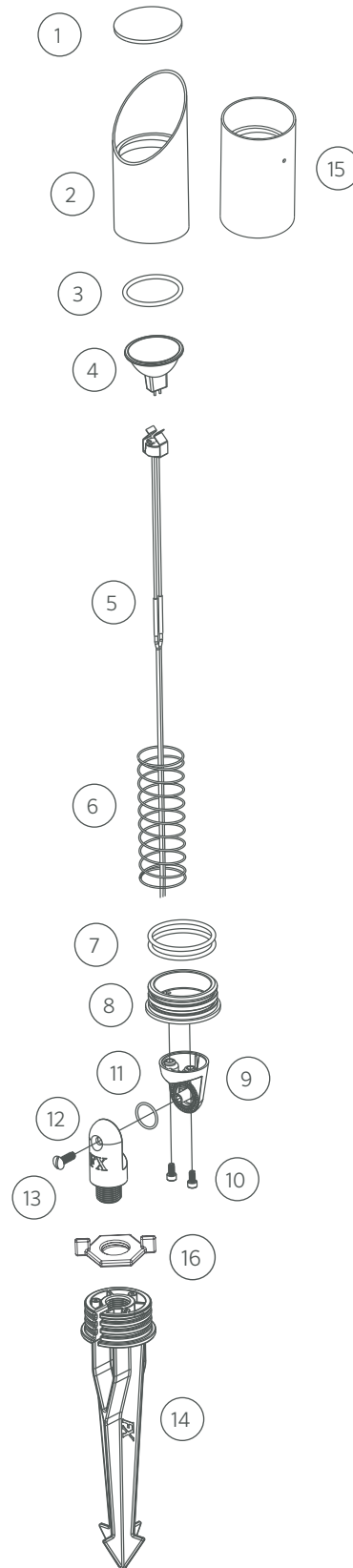
Replacement Parts

ITEM	DESCRIPTION	PART #
1	Lens	†
2	Shroud, Angled	†
3	O-Ring for Lamp Spacing	250010280006
1-2, 7	Lens Cap Assembly, Angled	LR-LC-XX*
1, 7, 15	Lens Cap Assembly, Straight	LR-LC-LS-XX*
4	Lamp, MR-16	See Lamp Chart
5	Socket, 10' (3 m)	761600
6	Spring	†
7	O-Ring for Body	250010280025
8	Body	†
9	Base, Knuckle	†
10	Screw, #10-24 x 3/8"	250013940000
11	O-Ring for Knuckle	250010280002
12	Knuckle Fitting	†
13	Screw, 1/4"-20 x 3/4"	250010630000
12-13	Knuckle Fitting Assembly	KFM-050-XX*
14	Long Slot Spike	250015840000
15	Shroud, Straight	†
16	Lock Ring	250030410000SP
NS	Critter Plug	250032650000SP

NS = Not shown

*XX = Finish code

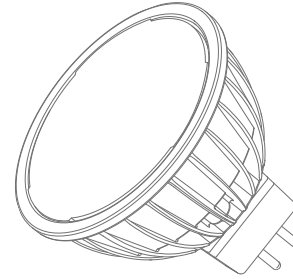
† This part is not serviceable. Contact Customer Support or a local distributor to order a new product.



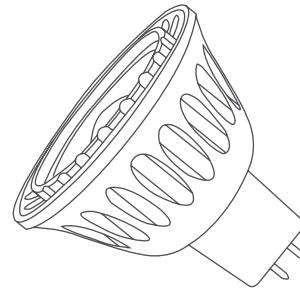
LAMPS | MR-16 LAMPS

MR-16 LED Lamp Chart

LUMENS / VA	CCT	BEAM ANGLE	PART #
272 lm / 4.2 VA	2700K	10° Very Narrow	MR16-LED-20-W-VN
247 lm / 4.2 VA	2700K	35° Flood	MR16-LED-20-W-FL
238 lm / 4.2 VA	2700K	60° Wide Flood	MR16-LED-20-W-WF
458 lm / 5.3 VA	2700K	10° Very Narrow	MR16-LED-35-W-VN
394 lm / 5.3 VA	2700K	35° Flood	MR16-LED-35-W-FL
310 lm / 5.3 VA	2700K	60° Wide Flood	MR16-LED-35-W-WF
447 lm / 6.5 VA	2700K	35° Flood	MR16-LED-50-W-FL
287 lm / 4.2 VA	3000K	10° Very Narrow	MR16-LED-20-S-VN
238 lm / 4.2 VA	3000K	35° Flood	MR16-LED-20-S-FL
242 lm / 4.2 VA	3000K	60° Wide Flood	MR16-LED-20-S-WF
458 lm / 5.3 VA	3000K	10° Very Narrow	MR16-LED-35-S-VN
394 lm / 5.3 VA	3000K	35° Flood	MR16-LED-35-S-FL
380 lm / 5.3 VA	3000K	60° Wide Flood	MR16-LED-35-S-WF
505 lm / 6.5 VA	3000K	35° Flood	MR16-LED-50-S-FL
287 lm / 4.2 VA	3900K	10° Very Narrow	MR16-LED-20-C-VN
288 lm / 4.2 VA	3900K	35° Flood	MR16-LED-20-C-FL
290 lm / 4.2 VA	3900K	60° Wide Flood	MR16-LED-20-C-WF
365 lm / 5.3 VA	3900K	10° Very Narrow	MR16-LED-35-C-VN
340 lm / 5.3 VA	3900K	35° Flood	MR16-LED-35-C-FL
350 lm / 5.3 VA	3900K	60° Wide Flood	MR16-LED-35-C-WF
464 lm / 6.5 VA	3900K	35° Flood	MR16-LED-50-C-FL



MR-16 LED/MR-16 ZD LED



MR-16 Eco LED

MR-16 ZD LED Lamp Chart

LUMENS / VA	CCT	BEAM ANGLE	PART #
458 lm / 5.3 VA	2700K	10° Very Narrow	MR16-ZD-35-W-VN
394 lm / 5.3 VA	2700K	35° Flood	MR16-ZD-35-W-FL
310 lm / 5.3 VA	2700K	60° Wide Flood	MR16-ZD-35-W-WF
447 lm / 6.5 VA	2700K	35° Flood	MR16-ZD-50-W-FL
458 lm / 5.3 VA	3000K	10° Very Narrow	MR16-ZD-35-S-VN
394 lm / 5.3 VA	3000K	35° Flood	MR16-ZD-35-S-FL
380 lm / 5.3 VA	3000K	60° Wide Flood	MR16-ZD-35-S-WF
505 lm / 6.5 VA	3000K	35° Flood	MR16-ZD-50-S-FL
365 lm / 5.3 VA	3900K	10° Very Narrow	MR16-ZD-35-C-VN
340 lm / 5.3 VA	3900K	35° Flood	MR16-ZD-35-C-FL
350 lm / 5.3 VA	3900K	60° Wide Flood	MR16-ZD-35-C-WF
464 lm / 6.5 VA	3900K	35° Flood	MR16-ZD-50-C-FL

MR-16 Eco LED Lamp Chart

LUMENS / VA	CCT	BEAM ANGLE	PART #
490 lm / 6.0 VA	2700K	30° Flood	MR16-E-6-W-FL
440 lm / 6.0 VA	2700K	60° Wide Flood	MR16-E-6-W-WF
635 lm / 8.5 VA	2700K	30° Flood	MR16-E-9-W-FL
565 lm / 8.5 VA	2700K	60° Wide Flood	MR16-E-9-W-WF



fxl.com/MR-16