

STANDARD | PATH LIGHT | SC

Replacement Parts

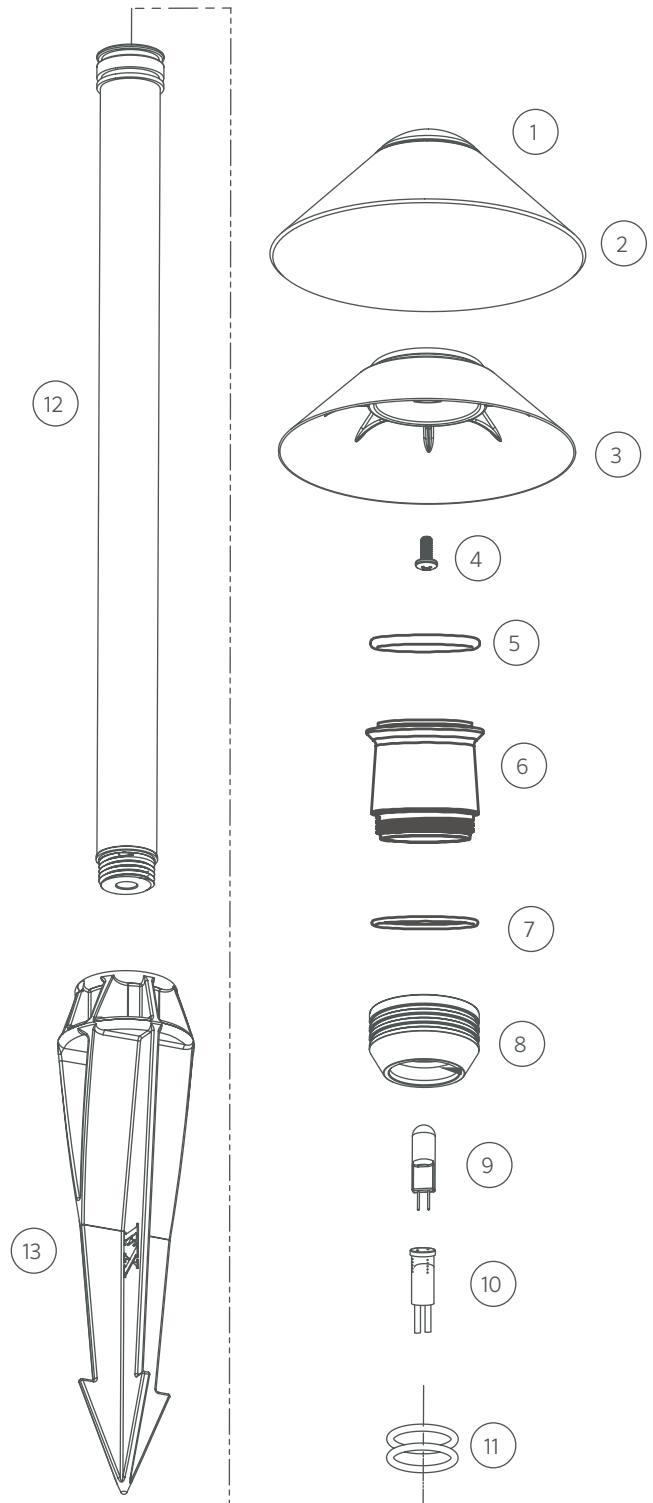
ITEM	DESCRIPTION	PART #
1	Cap	2500118400XX*
2	Top	†
3	Reflector	250015830000
4	Screw, #8-32 x 7/16"	750103
5	O-Ring for Lens Top	250010280010
6	Lens	753100
7	O-Ring for Lens Bottom	250010280033
8	Reducer	250036730000
1-8	Top Assembly	SC-TA-XX* [§]
3-8	Lens Assembly	BD-EA-SC-LA [§]
9	Lamp, G4	See Lamp Chart
10	Socket, 10' (3 m)	754601
11	O-Ring for Riser	250010280004
12	Riser Subassembly	YY-RA-075-XX*
13	Super Slot Spike	753900

* XX = Finish code

* YY = Riser height in inches

[§] Not interchangeable with SC LED Top Assembly

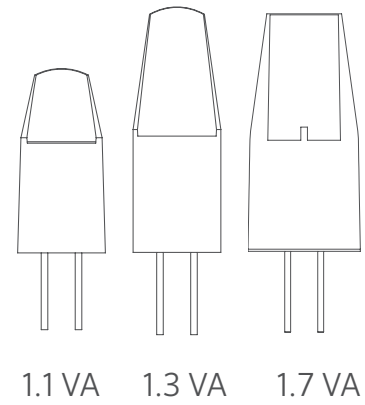
† This part is not serviceable. Contact Customer Support or a local distributor to order a replacement product.



LAMPS | G4 LAMPS

G4 LED Lamp Chart

LUMENS / VA	CCT	PART #
1.0 VA / 75 lm	2700K	G4-E-1-W
1.3 VA / 120 lm	2700K	G4-E-2-W
1.7 VA / 170 lm	2700K	G4-E-3-W
1.0 VA / 80 lm	3000K	G4-E-1-S
1.3 VA / 130 lm	3000K	G4-E-2-S
1.7 VA / 190 lm	3000K	G4-E-3-S



fxl.com/G4