

STANDARD | MINI BOLLARD | PM

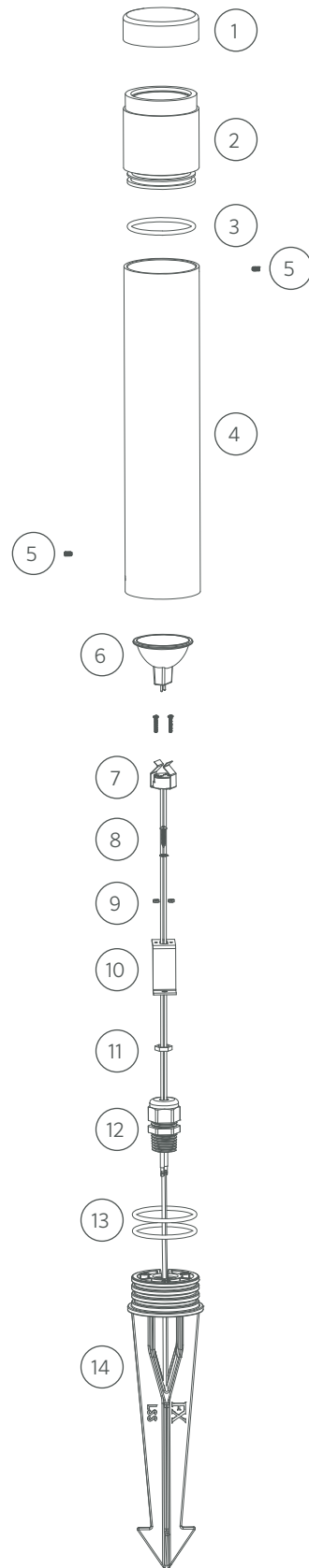
Replacement Parts

ITEM	DESCRIPTION	PART #
1	Cap	†
2	Lens	†
3	O-Ring for Lens	250010280011
1-3, 5	Lens Cap Assembly	PM-LC-XX*
4	Body	†
5	Screw, #6-32 x 1/4"	250012940000
6	Lamp, MR-16	See Lamp Chart
7	Socket, 10' (3 m)	761600
8	Screw, #4 x 5/8"	250012990000
9	Washer, Ext Tooth, #4	250012980000
10	Bracket for Lamp	250012960000
11	Hex Nut, #2-56	250014290000
12	Strain Relief Connector	250014400000
13	O-Ring for Long Slot Spike	250010280006
14	Long Slot Spike	250015840000
NS	Hex Key, 1/16"	250012950000

NS = Not shown

*XX = Finish code

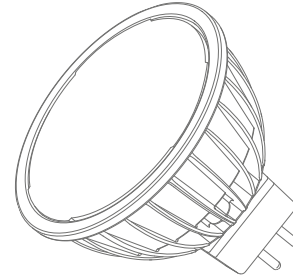
† This part is not serviceable. Contact Customer Support or a local distributor to order a replacement product.



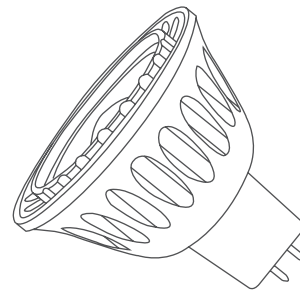
LAMPS | MR-16 LAMPS

MR-16 LED Lamp Chart

LUMENS / VA	CCT	BEAM ANGLE	PART #
272 lm / 4.2 VA	2700K	10° Very Narrow	MR16-LED-20-W-VN
247 lm / 4.2 VA	2700K	35° Flood	MR16-LED-20-W-FL
238 lm / 4.2 VA	2700K	60° Wide Flood	MR16-LED-20-W-WF
458 lm / 5.3 VA	2700K	10° Very Narrow	MR16-LED-35-W-VN
394 lm / 5.3 VA	2700K	35° Flood	MR16-LED-35-W-FL
310 lm / 5.3 VA	2700K	60° Wide Flood	MR16-LED-35-W-WF
447 lm / 6.5 VA	2700K	35° Flood	MR16-LED-50-W-FL
287 lm / 4.2 VA	3000K	10° Very Narrow	MR16-LED-20-S-VN
238 lm / 4.2 VA	3000K	35° Flood	MR16-LED-20-S-FL
242 lm / 4.2 VA	3000K	60° Wide Flood	MR16-LED-20-S-WF
458 lm / 5.3 VA	3000K	10° Very Narrow	MR16-LED-35-S-VN
394 lm / 5.3 VA	3000K	35° Flood	MR16-LED-35-S-FL
380 lm / 5.3 VA	3000K	60° Wide Flood	MR16-LED-35-S-WF
505 lm / 6.5 VA	3000K	35° Flood	MR16-LED-50-S-FL
287 lm / 4.2 VA	3900K	10° Very Narrow	MR16-LED-20-C-VN
288 lm / 4.2 VA	3900K	35° Flood	MR16-LED-20-C-FL
290 lm / 4.2 VA	3900K	60° Wide Flood	MR16-LED-20-C-WF
365 lm / 5.3 VA	3900K	10° Very Narrow	MR16-LED-35-C-VN
340 lm / 5.3 VA	3900K	35° Flood	MR16-LED-35-C-FL
350 lm / 5.3 VA	3900K	60° Wide Flood	MR16-LED-35-C-WF
464 lm / 6.5 VA	3900K	35° Flood	MR16-LED-50-C-FL



MR-16 LED/MR-16 ZD LED



MR-16 Eco LED

MR-16 ZD LED Lamp Chart

LUMENS / VA	CCT	BEAM ANGLE	PART #
458 lm / 5.3 VA	2700K	10° Very Narrow	MR16-ZD-35-W-VN
394 lm / 5.3 VA	2700K	35° Flood	MR16-ZD-35-W-FL
310 lm / 5.3 VA	2700K	60° Wide Flood	MR16-ZD-35-W-WF
447 lm / 6.5 VA	2700K	35° Flood	MR16-ZD-50-W-FL
458 lm / 5.3 VA	3000K	10° Very Narrow	MR16-ZD-35-S-VN
394 lm / 5.3 VA	3000K	35° Flood	MR16-ZD-35-S-FL
380 lm / 5.3 VA	3000K	60° Wide Flood	MR16-ZD-35-S-WF
505 lm / 6.5 VA	3000K	35° Flood	MR16-ZD-50-S-FL
365 lm / 5.3 VA	3900K	10° Very Narrow	MR16-ZD-35-C-VN
340 lm / 5.3 VA	3900K	35° Flood	MR16-ZD-35-C-FL
350 lm / 5.3 VA	3900K	60° Wide Flood	MR16-ZD-35-C-WF
464 lm / 6.5 VA	3900K	35° Flood	MR16-ZD-50-C-FL

MR-16 Eco LED Lamp Chart

LUMENS / VA	CCT	BEAM ANGLE	PART #
490 lm / 6.0 VA	2700K	30° Flood	MR16-E-6-W-FL
440 lm / 6.0 VA	2700K	60° Wide Flood	MR16-E-6-W-WF
635 lm / 8.5 VA	2700K	30° Flood	MR16-E-9-W-FL
565 lm / 8.5 VA	2700K	60° Wide Flood	MR16-E-9-W-WF



fxl.com/MR-16