

STANDARD | PATH LIGHT | PL

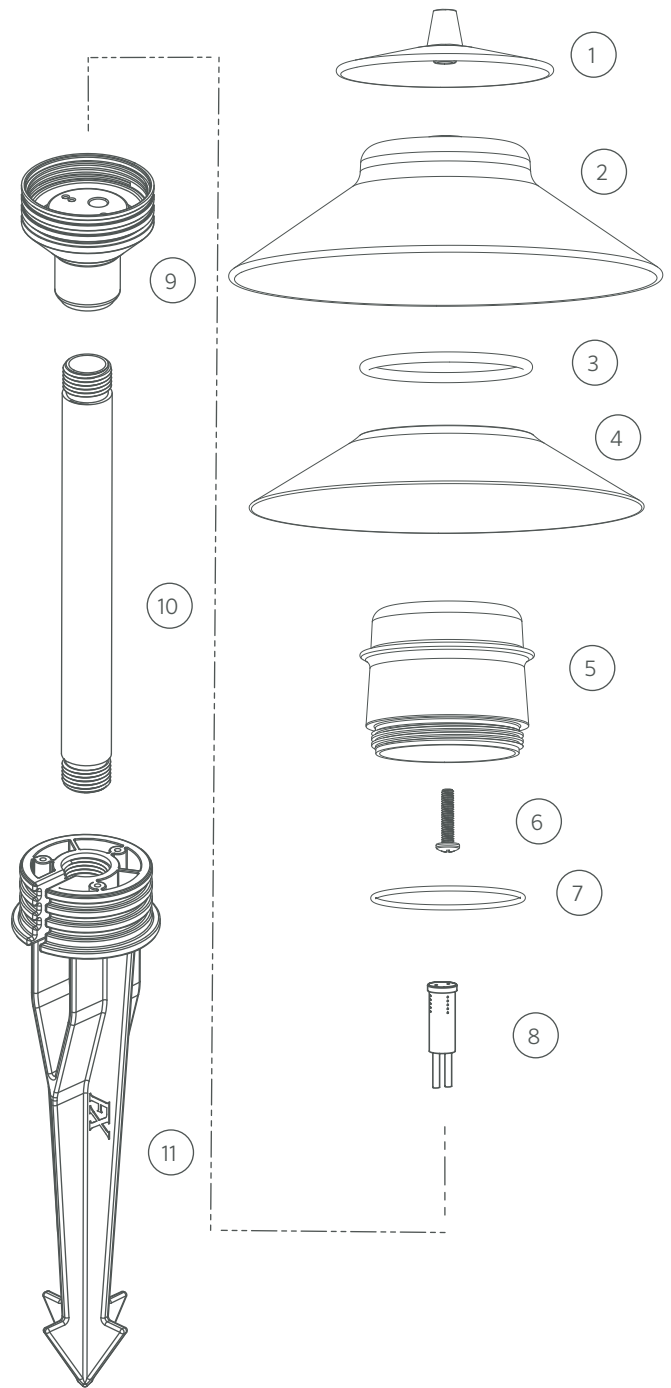
Replacement Parts

ITEM	DESCRIPTION	PART #
1	Shade	†
2	Top	†
3	O-Ring for Reflector	250010280011
4	Reflector, White	250018830000
5	Lens	753501
6	Screw, #8-32 x 3/4"	250018780000
7	O-Ring for Lens	250010280032
1-7	Top Assembly	PL-TA-XX*
8	Socket, 10' (3 m)	754601
9	Reducer	2500218000XX
10	Riser	YY-R-XX*
11	Long Slot Spike	250015840000

*XX = Finish code

*YY = Riser height in inches

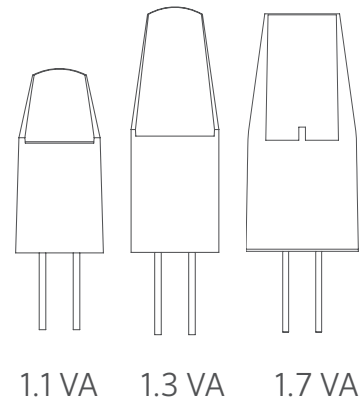
† This part is not serviceable. Contact Customer Support or a local distributor to order a replacement product.



LAMPS | G4 LAMPS

G4 LED Lamp Chart

LUMENS / VA	CCT	PART #
1.0 VA / 75 lm	2700K	G4-E-1-W
1.3 VA / 120 lm	2700K	G4-E-2-W
1.7 VA / 170 lm	2700K	G4-E-3-W
1.0 VA / 80 lm	3000K	G4-E-1-S
1.3 VA / 130 lm	3000K	G4-E-2-S
1.7 VA / 190 lm	3000K	G4-E-3-S



fxl.com/G4