

STANDARD | PATH LIGHT | PF

Replacement Parts

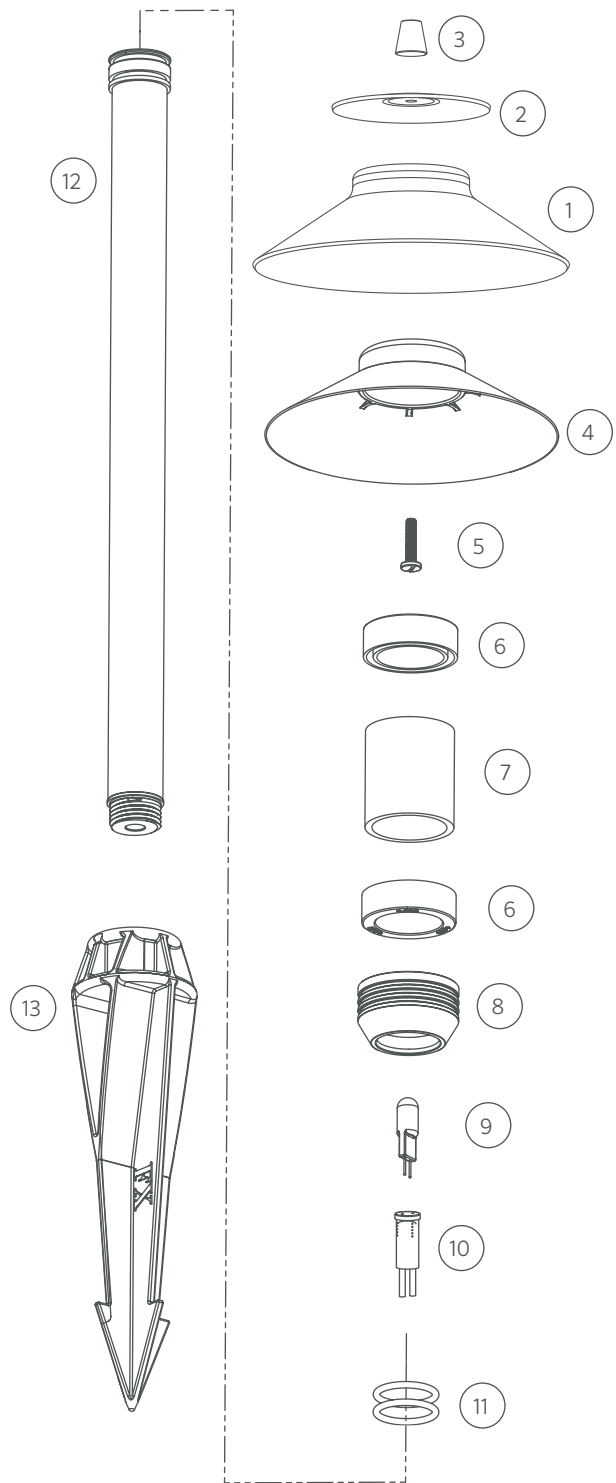
ITEM	DESCRIPTION	PART #
1	Copper Top	†
2	Copper Shade	2500122900XX*
3	Brass Cap	2500123000XX*
4	Reflector	250015820000
5	Screw, #8-32 x 3/4"	250018780000
6	Seal	†
1-6	Top Assembly	PF-TA-XX* [‡]
2-6	Lens Assembly	PF-LA
7	Lens	250012120000
8	Reducer	†
9	Lamp, G4	See Lamp Chart
10	Socket, 10' (3 m)	754601
11	O-Ring	250010280004
10-12	Riser Subassembly	YY-RA-075-XX*
13	Super Slot Spike	753900

* YY = Riser height in inches

* XX = Finish code

[‡] Not interchangeable with PF LED Top Assembly

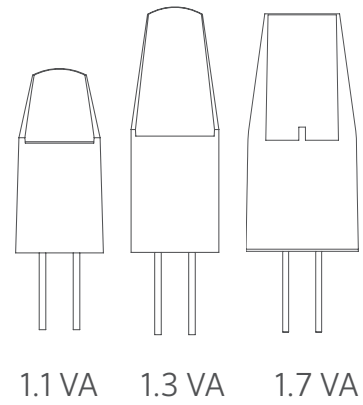
† This part is not serviceable. Contact Customer Support or a local distributor to order a replacement product.



LAMPS | G4 LAMPS

G4 LED Lamp Chart

LUMENS / VA	CCT	PART #
1.0 VA / 75 lm	2700K	G4-E-1-W
1.3 VA / 120 lm	2700K	G4-E-2-W
1.7 VA / 170 lm	2700K	G4-E-3-W
1.0 VA / 80 lm	3000K	G4-E-1-S
1.3 VA / 130 lm	3000K	G4-E-2-S
1.7 VA / 190 lm	3000K	G4-E-3-S



fxl.com/G4