

# STANDARD | PATH LIGHTS | MODERN MP-31 PETITE PATH LIGHT

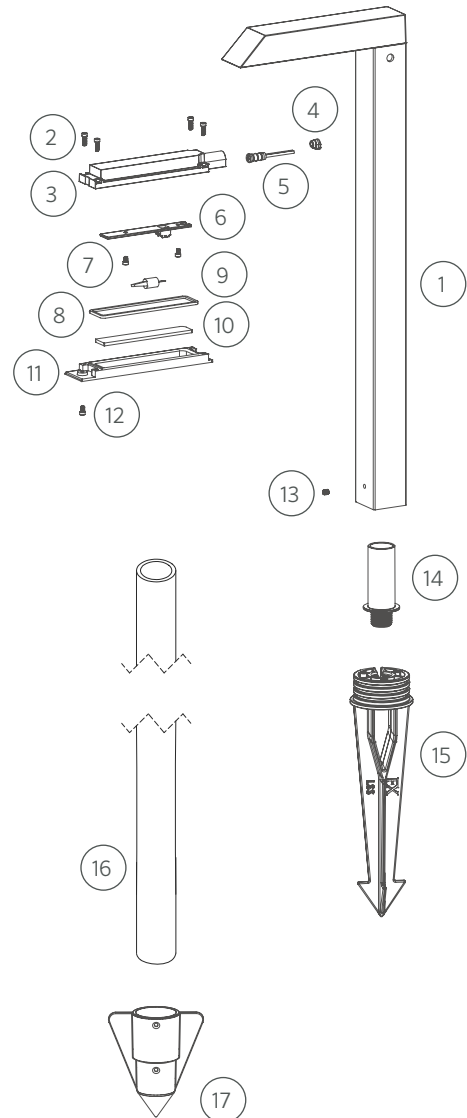
## Replacement Parts

ITEM	DESCRIPTION	PART #
1	Riser Assembly/Cover Housing	†
2	Screw, M3 x 0.5 mm, 10 mm	250035360000
3	Housing, Top	†
4	Cable Alignment Plug	250035510000
5	Socket, 10' (3 m)	752601
6	Reflector	250035400000
7	Screw, M3 x 0.5 mm, 5 mm	250035380000
8	Gasket	250035330000
9	Lamp, G4	See Lamp Chart
10	Lens	250035340000
11	Housing, Bottom	†
12	Screw, M3 x 0.5 mm, 6 mm	250035500000
13	Screw, M5 x 0.8 mm, 6 mm	250035880000
14	Adapter, 3/4" SCH 40 to 1/2" -14 NPSM	250035490000
15	Large Slot Spike	250015840000
16	Conduit Stake, 3/4" SCH 40	250028770000
17	Conduit Stabilizer	†
16-17	Kit with Stabilizer, 3/4" PVC	CS-KIT-MPJ
NS	Hex Key, 2.5 mm	250038350000

NS = Not shown

\*XX = Finish code

† This part is not serviceable. Contact Customer Support or a local distributor to order a replacement product.



# LAMPS | G4 LAMPS

## G4 LED Lamp Chart

LUMENS / VA	CCT	PART #
76 lm / 1.1 VA	2700K	G4-LED-10-W
123 lm / 1.7 VA	2700K	G4-LED-20-W
170 lm / 2.6 VA	2700K	G4-LED-35-W
76 lm / 1.1 VA	3000K	G4-LED-10-S
123 lm / 1.7 VA	3000K	G4-LED-20-S
170 lm / 2.6 VA	3000K	G4-LED-35-S

