

STANDARD | PATH LIGHT | DR 3-TIER

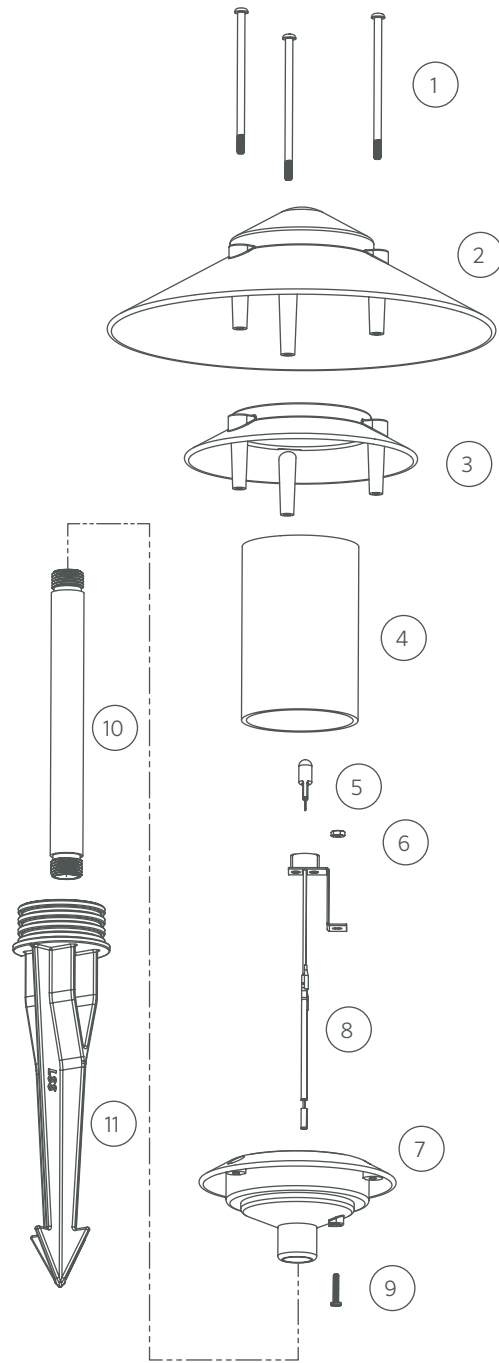
Replacement Parts

ITEM	DESCRIPTION	PART #
1	Screw, #10-24 x 3 ⁷ / ₁₆ "	250011520000
2	Tier, Top	†
3	Tier, Middle	†
4	Lens	250011530000
5	Lamp, G4	See Lamp Chart
6	Nut	250011510000
7	Base, Tier	†
8	Socket, 10' (3 m)	250011490000
9	Screw, #6-32 x 3 ⁴ / ₄ "	250011500000
10	Riser	YY-R-XX*
11	Long Slot Spike	250015840000

* YY = Riser height in inches

* XX = Finish code

† This part is not serviceable. Contact Customer Support or a local distributor to order a replacement product.



STANDARD | PATH LIGHT | DR 2-TIER

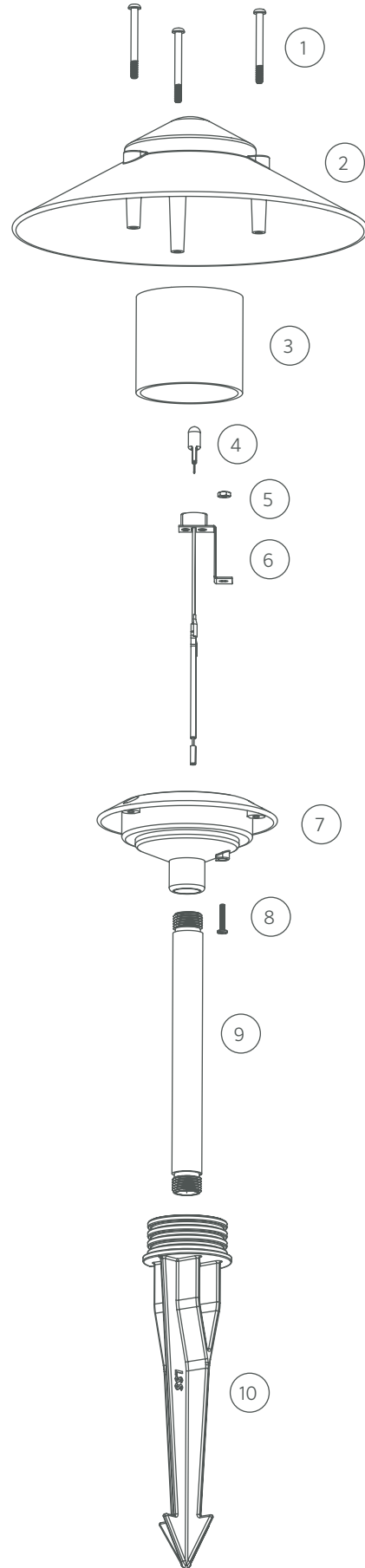
Replacement Parts

ITEM	DESCRIPTION	PART #
1	Screw, #10-24 x 2"	250011550000
2	Tier, Top	†
3	Lens	250011540000
4	Lamp, G4	See Lamp Chart
5	Nut	250011510000
6	Socket, 10' (3 m)	250011490000
7	Base	†
8	Screw, #6-32 x 3/4"	250011500000
9	Riser	YY-R-XX*
10	Long Slot Spike	250015840000

* YY = Riser height in inches

* XX = Finish code

† This part is not serviceable. Contact Customer Support or a local distributor to order a replacement product.



LAMPS | G4 LAMPS

G4 LED Lamp Chart

LUMENS / VA	CCT	PART #
1.0 VA / 75 lm	2700K	G4-E-1-W
1.3 VA / 120 lm	2700K	G4-E-2-W
1.7 VA / 170 lm	2700K	G4-E-3-W
1.0 VA / 80 lm	3000K	G4-E-1-S
1.3 VA / 130 lm	3000K	G4-E-2-S
1.7 VA / 190 lm	3000K	G4-E-3-S

