

STANDARD | PATH LIGHT | DP

Replacement Parts

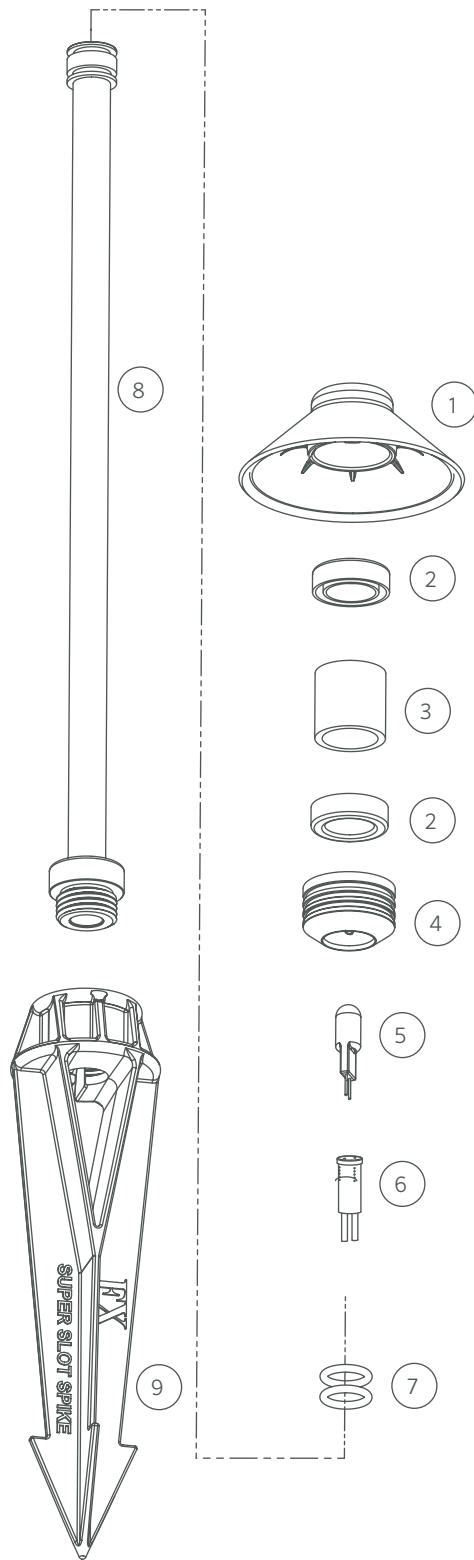
ITEM	DESCRIPTION	PART #
1	Top and Reflector	†
2	Seal	250012060000
3	Lens	250012080000
4	Reducer	†
1-4	Top Assembly	DP-TA-XX*
5	Lamp, G4	See Lamp Chart
6	Socket, 10' (3 m)	754601
7	O-Ring	250010280003
8	Riser Subassembly	†
6-8	Riser Assembly	YY-RA-050-XX*
9	Super Slot Spike	753900
NS	Hex Key, 5/64"	250010330000

NS = Not shown

*XX = Finish code

*YY = Riser height in inches

† This part is not serviceable. Contact Customer Support or a local distributor to order a replacement product.



LAMPS | G4 LAMPS

G4 LED Lamp Chart

LUMENS / VA	CCT	PART #
1.0 VA / 75 lm	2700K	G4-E-1-W
1.3 VA / 120 lm	2700K	G4-E-2-W
1.7 VA / 170 lm	2700K	G4-E-3-W
1.0 VA / 80 lm	3000K	G4-E-1-S
1.3 VA / 130 lm	3000K	G4-E-2-S
1.7 VA / 190 lm	3000K	G4-E-3-S

