

STANDARD | PATH LIGHT | DM

Replacement Parts

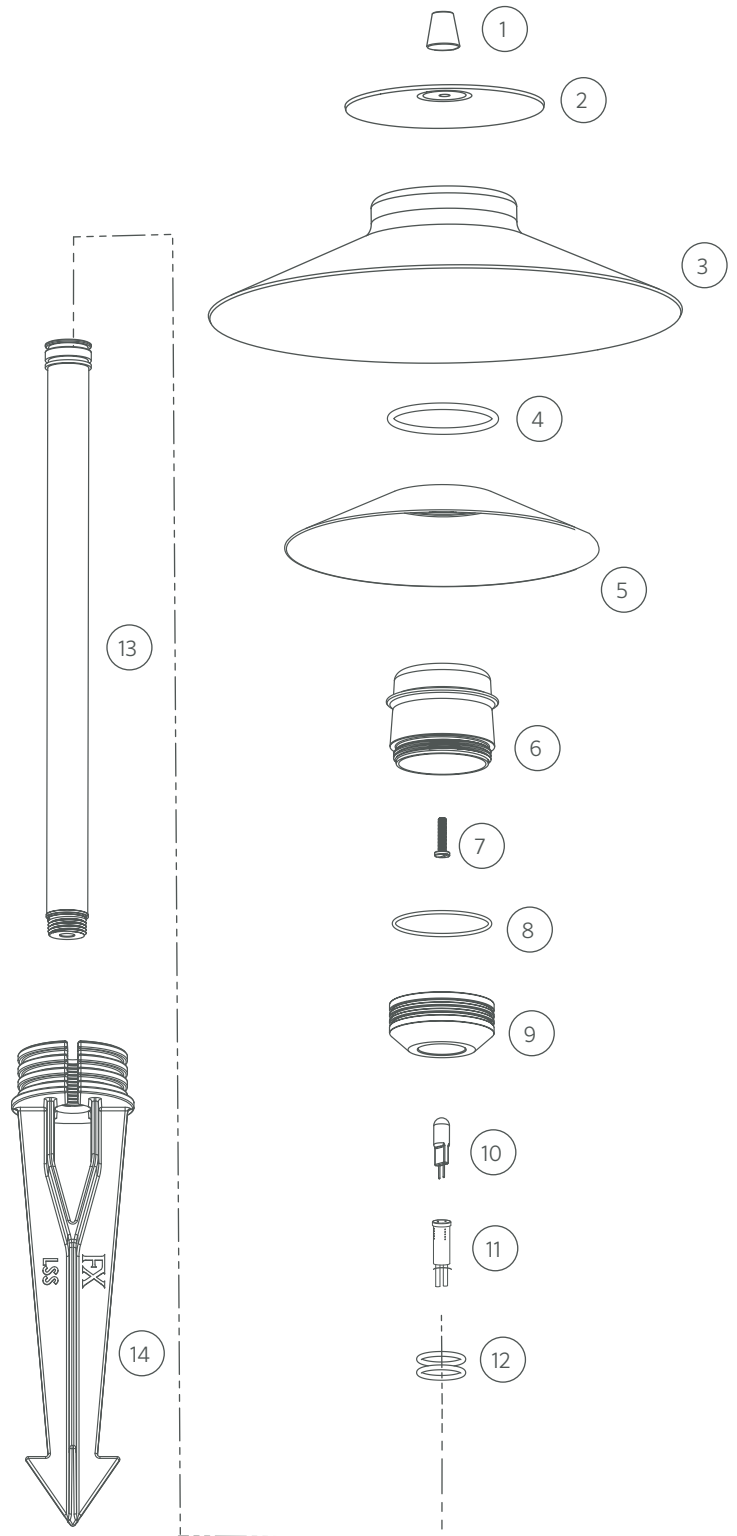
ITEM	DESCRIPTION	PART #
1	Cap Nut	2500123000XX*
2	Shade	†
3	Top	†
4	O-Ring for Reflector	250010280011
5	Reflector	754900
6	Lens	753501 [§]
7	Screw, #8-32 x 3/4"	250012320000
8	O-Ring for Lens	250010280009
9	Reducer	2500133000XX*
1-9	Top Assembly	DM-TA-XX* [§]
4-9	Lens Assembly	DM-LA [§]
10	Lamp, G4	See Lamp Chart
11	Socket, G4	754601
12	O-Ring for Riser Assembly	250010280004
13	Riser	†
11-13	Riser Assembly	YY-RA-075-XX*
14	Long Slot Spike	250015840000

* XX = Finish code

* YY = Riser height in inches

[§] Not interchangeable with DM LED Top Assembly

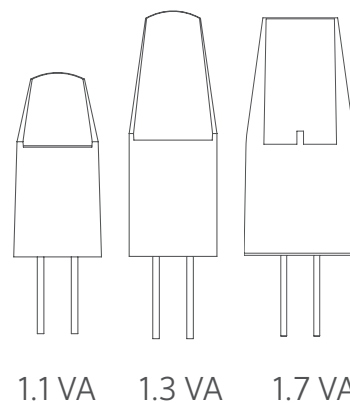
† This part is not serviceable. Contact Customer Support or a local distributor to order a new product.



LAMPS | G4 LAMPS

G4 LED Lamp Chart

LUMENS / VA	CCT	PART #
1.0 VA / 75 lm	2700K	G4-E-1-W
1.3 VA / 120 lm	2700K	G4-E-2-W
1.7 VA / 170 lm	2700K	G4-E-3-W
1.0 VA / 80 lm	3000K	G4-E-1-S
1.3 VA / 130 lm	3000K	G4-E-2-S
1.7 VA / 190 lm	3000K	G4-E-3-S



fxl.com/G4