

# STANDARD | PATH LIGHT | CA/CA-A

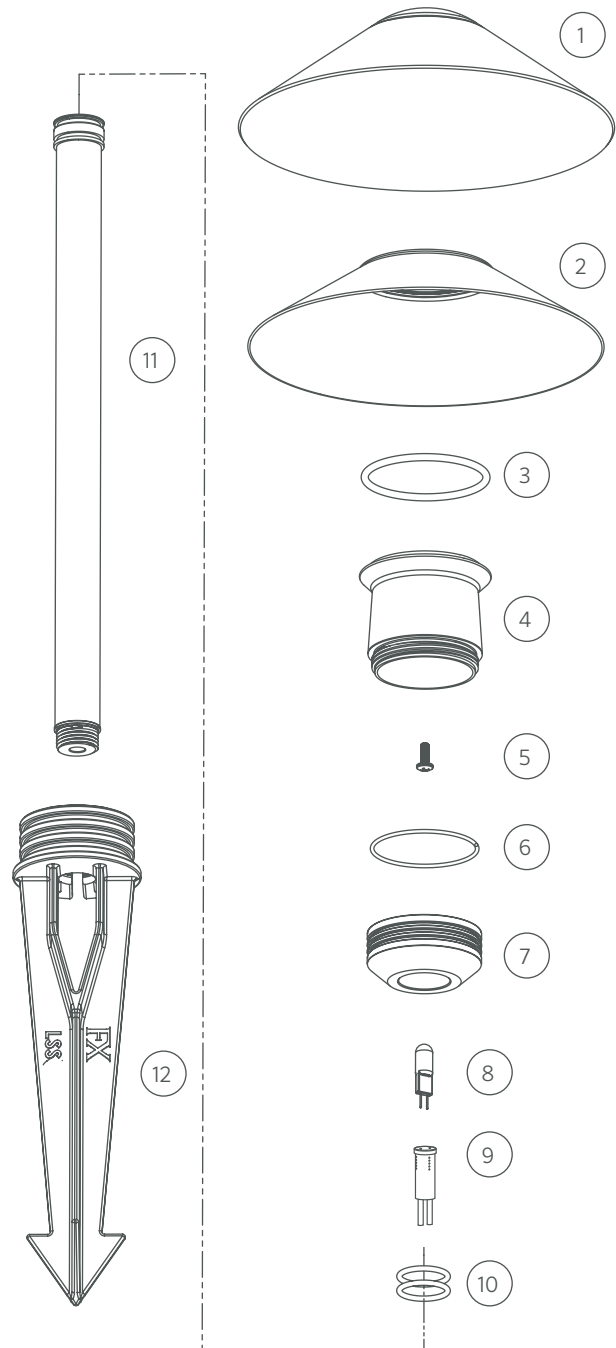
## Replacement Parts

ITEM	DESCRIPTION	PART #	
1	Top and Cap	†	
2	Reflector	755100	
3	O-Ring for Reflector	250010280032	
4	Lens	753401	
5	Screw, #8-32 x 7/16"	750103	
6	O-Ring for Lens	250010280001	
7	Reducer	2500273900XX	
1-7	Top Assembly	Aluminum	CAA-TA-XX* <sup>§</sup>
		Copper/Brass	CA-TA-XX*
2-7	Lens Assembly	CA-CB-CV-QF-LA	
8	Lamp, G4	See Lamp Chart	
9	Socket, 10' (3 m)	754601	
10	O-Ring for Riser	250010280004	
11	Riser	†	
9-11	Riser Subassembly	Aluminum	YY-R-SP-XX*
		Copper/Brass	YY-RA-075-XX*
12	Long Slot Spike	250015840000	

\* YY = Riser height in inches

\* XX = Finish code

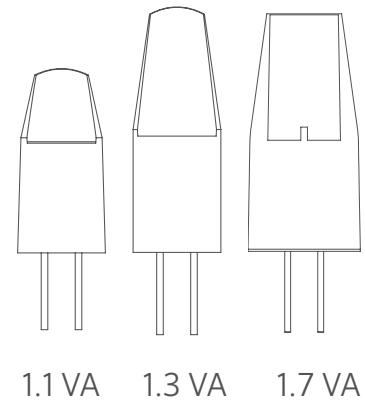
<sup>§</sup> Not interchangeable with CA LED Top Assembly



# LAMPS | G4 LAMPS

## G4 LED Lamp Chart

LUMENS / VA	CCT	PART #
1.0 VA / 75 lm	2700K	G4-E-1-W
1.3 VA / 120 lm	2700K	G4-E-2-W
1.7 VA / 170 lm	2700K	G4-E-3-W
1.0 VA / 80 lm	3000K	G4-E-1-S
1.3 VA / 130 lm	3000K	G4-E-2-S
1.7 VA / 190 lm	3000K	G4-E-3-S



[fxl.com/G4](https://fxl.com/G4)