

DESIGNER | PATH LIGHTS | RUNA RP-34 PETITE PATH LIGHT

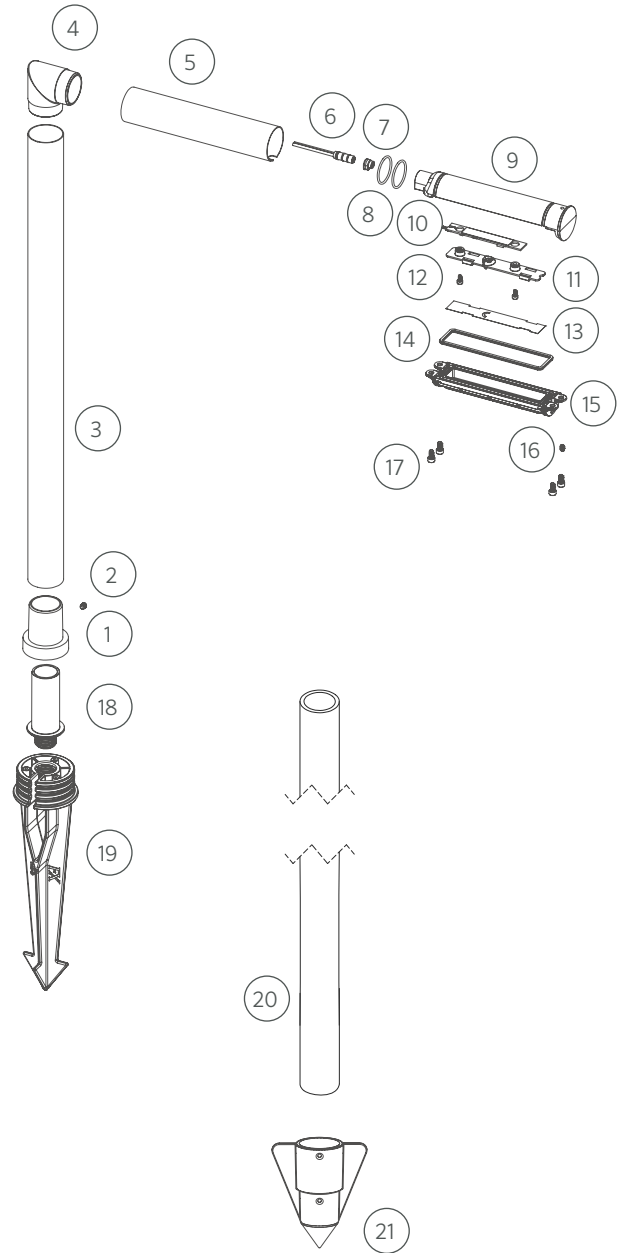
Replacement Parts

ITEM	DESCRIPTION	PART #
1	Conduit Mount	250035820000
2	Screw, M5 x 0.8 mm, 6 mm	250035880000
3	Vertical Copper Housing	†
4	90° Adapter	†
5	Horizontal Copper Housing	†
6	Socket, 10' (3 m)	752601
7	Cable Alignment Plug	250035510000
8	O-Ring for Housing	250010280052
9	Main Housing	†
10	LED Board	See LED Chart
11	Reflector	250035410000
12	Screw, M3 x 0.5 mm, 6 mm	250035500000
13	Diffuser	250035420000
14	Gasket	250035850000
15	Lens	250035840000
16	Screw, M4 x 0.7 mm, 6 mm	250035870000
17	Screw, M4 x 0.7 mm, 8 mm	250033190000
18	½"-14 NPSM Mount	250035490000
19	Large Slot Spike	250015840000
20	Conduit Stake, ¾" (19 mm)	250028770000
21	Conduit Stabilizer	†
20-21	Conduit and Stabilizer Kit	CS-KIT-MPJ
NS	Hex Key, 2.5 mm, Short	250038350000
NS	Hex Key, 3 mm, Short	250038360000
NS	Deck Mount	RP34-DM-XX*

NS = Not shown

*XX = Finish code

† This part is not serviceable. Contact Customer Support or a local distributor to order a replacement product.



DESIGNER | RECTANGULAR LED BOARD REPLACEMENT

LED Chart

DESCRIPTION	PART #
1 LED (2700K), Horizontal Pin	755903**
1 LED (3900K), Horizontal Pin	755904**
1 LED, Zoning/Dimming (2700K)	755905**
1 LED, Zoning/Dimming (3900K)	755906**
1 LED, Zoning/Dimming (TURTLE)	755909
ZDC Linear Board, Horizontal Pins, Amber	ZDC-KIT-R**

***Includes LED board only*