

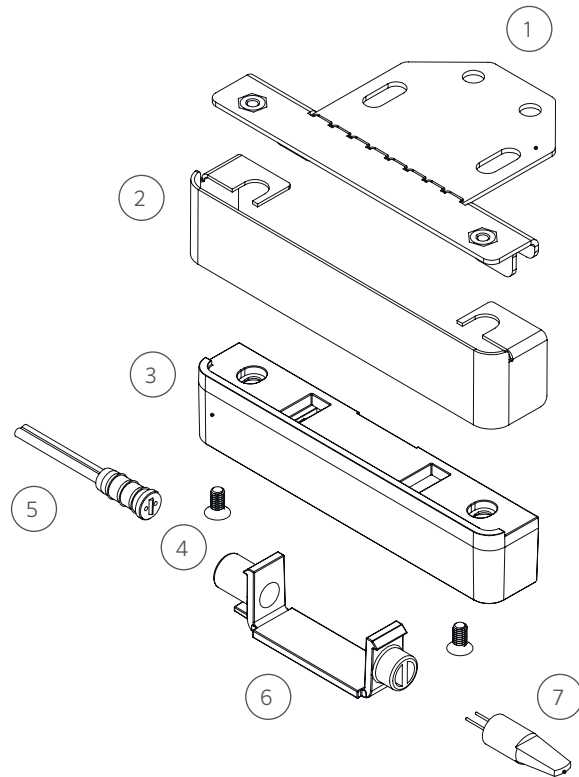
STANDARD | LEDGE LIGHT | LD

Replacement Parts

ITEM	DESCRIPTION	PART #
1	Mounting Bracket	†
2	Faceplate	†
3	Body	†
4	Screw, M4 x 0.7 mm, 6 mm	†
2, 4	Faceplate Assembly	LD-FP-XX*
5	Socket, 10' (3 m)	754601
6	Lens	250030950000SP*
7	Lamp, G4	See Lamp Chart

*XX = Finish code

† This part is not serviceable. Contact Customer Support or a local distributor to order a replacement product.



LAMPS | G4 LAMPS

G4 LED Lamp Chart

LUMENS / VA	CCT	PART #
1.0 VA / 75 lm	2700K	G4-E-1-W
1.3 VA / 120 lm	2700K	G4-E-2-W
1.7 VA / 170 lm	2700K	G4-E-3-W
1.0 VA / 80 lm	3000K	G4-E-1-S
1.3 VA / 130 lm	3000K	G4-E-2-S
1.7 VA / 190 lm	3000K	G4-E-3-S

