



PROJECT

CATALOG #

TYPE

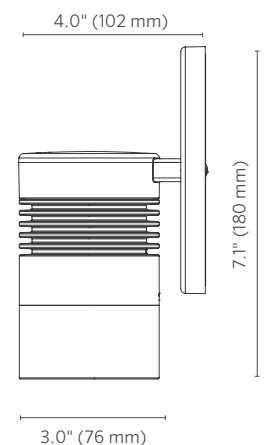
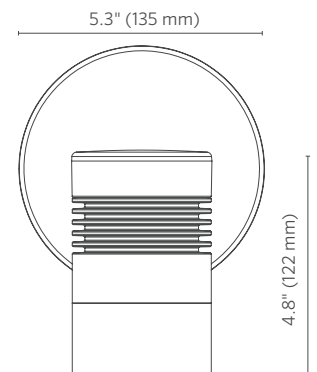
NOTES

SD Down Light **DESIGNER PLUS**

The simple cylindrical drum design of the SD wall light complements a range of applications. The fixture is offered in 3, 6, and 9LED. A ZDC option is also available.

Quick Facts

- Die-cast aluminum
- Two-layer marine-grade anodization and powder coat finish
- Cree® integrated LEDs
- Color temperature filters
- Compatible with Luxor® technology
- Phase and PWM dimmable
- Input voltage: 10-15 V
- Tamper-resistant features



SD Down Light SPECIFICATIONS

Output	3LED	6LED	9LED	ZDC
Total Lumens†	202	367	398	174
Input Voltage	10 to 15V	10 to 15V	10 to 15V	11 to 15V
Input Power (W)	4.2	8.2	10.0	9.1
VA	4.5	9.7	10.7	11.0
Efficacy (Lumens/Watt)	52	44	47	33
Color Rendering Index (CRI)	80+	80+	80+	80+
Center Beam Candlepower*				
Spot (17-20)	975	2,022	2,276	198
Dimming	PWM, Phase**	PWM, Phase**	PWM, Phase**	--
RGBW Available	No	No	No	Yes
Luxor Compatibility				
Default	Zoning	Zoning	Zoning	--
ZD Option	Zoning/Dimming	Zoning/Dimming	Zoning/Dimming	--
ZDC Option	--	--	--	Zoning/Dimming/ Color
Minimum Rated Life (L90)	55,000 Hrs	55,000 Hrs	55,000 Hrs	55,000 Hrs

† Measured using the 3,900K CCT lens. Multipliers for other CCTs include 0.80 (2,700K), 0.65 (4,500K), and 0.65 (5,200K).

* Information not available for Flood or Wide Flood.

** For optimal performance, use a trailing-edge, phase-cut dimmer.

FX Luminaire

FX Luminaire is an industry-leading manufacturer of landscape and architectural lighting products with a focus on the advancement of LED technology and digital lighting control with zoning, dimming, and color adjustment capabilities. We offer a full spectrum of highly efficient lighting fixtures that can be utilized to create elegant, cutting-edge landscape lighting systems for commercial or residential applications. Our products are available exclusively via our extensive professional distributor network.

Materials

Die-cast A380 aluminum body with stainless steel setscrew, mounting bracket, and fasteners.

Shroud

Die-cast A380 aluminum shroud.

Weight

2.1 lbs. (1.0 kg)

Ambient Operating Temperature

0°F to 140°F (-17°C to 60°C)

Lamp

Integrated module with Cree LEDs. Gold-plated connectors and conformal coating for maximum reliability and corrosion resistance. Proprietary onboard intelligent driver uses firmware-controlled temperature regulation, maximizing LED life. Field upgradeable and replaceable, the LEDs are rated to 55,000 hrs. Maximum drive current: 1 A.

Socket

Socket contains MoistureBlock™ technology, preventing moisture from wicking up into sealed areas of the fixture.

Wiring

18 AWG (1 mm); SPT-1W; 220°F (105°C); 300V; 10' (3 m) length

Optics

Polycarbonate color temperature adjustment lenses included with fixture: 2,700K (preinstalled), 3,900K (no lens), 4,500K, and 5,200K. Interchangeable optics for 10°, 20°, 40°, or 60° distributions ordered preassembled to luminaire. Color temperature and beam angle lenses field serviceable. For additional color filters, spread lenses, hex baffles, etc., use MR-16 sized accessories (MR-16: 1.95" (49.5 mm) dia. x 1.1 mm thickness). Beam angle is calculated using LM-79 method for SSL fixtures.

Power

Input 10-15VAC/VDC, 50/60Hz. Remote transformer required (specify separately).

Housing

Die-cast A380 aluminum body with capacity for 3LED, 6LED, 9LED, or ZDC integrated LEDs.

Lens

Tempered glass lens with shock resistance and high tolerance for thermal expansion and stress.

Finish

Two-layer protection of sulfuric acid anodization and polyester TGIC powder coat, providing superior outdoor weathering in all conditions. Tested to ASTM standards.

Hardware

Stainless steel mounting plate included, with configurations to connect to 1-gang and round junction boxes. Three wood screws also included for surface mounting.

Manufacturing

9001:2015 ISO certified facility

Control

ZD or ZDC utilizes Luxor technology to zone fixtures in up to 250 groups, dim each group in 1% increments between 0 and 100%, or change to one of 30,000 colors with RGBW LEDs.

Select the ZD option for zoning/dimming or ZDC for zoning/dimming/color. Standard fixture is zoneable with Luxor.

Sustainability

Innovation meets conservation in the design and manufacturing of our products. Where we can, we use recycled materials while maintaining superior functionality. Our LED products provide high-quality light at optimal energy efficiency, lifespan, and durability.

Installation Requirements

Designed for installation in the downward lighting direction only.

Warranty

10-year limited warranty

Listings



SD Down Light ORDERING INFORMATION

Fixture Size	Luxor Option	Output	Finish
SD	■ [default] Zone	■ 3LED 202 Lumens	■ BZ Bronze Metallic
	■ ZD Zone/Dim	■ 6LED 367 Lumens	■ DG Desert Granite
		■ 9LED 397 Lumens	■ WI Weathered Iron
	■ ZDC Zone/Dim/Color	■ [default ZDC option] 174 Lumens	■ SB Sedona Brown
		■ FB Black	

EXAMPLE FIXTURE CONFIGURATION: SD-ZD-6LED-BZ




LENS ACCESSORIES: Specify Separately

Item	Code	
■ HEX BAFFLE MR-16 Size	250015260000	
■ LINEAR SPREAD LENS MR-16 Size	250013550000	
■ SOLITE SPREAD LENS MR-16 Size	250015240000	

SD Down Light PHOTOMETRICS


SD 3LED Illuminance at a Distance

Feet (Meters)	Center Beam	Beam Width
	Foot-Candle (Lux)	
1.7' (0.5 m)	451 fc (4,854 lx)	0.6' (0.2 m)
3.3' (1.0 m)	120 fc (1,292 lx)	1.1' (0.3 m)
5.0' (1.5 m)	52 fc (560 lx)	1.7' (0.5 m)
6.7' (2.0 m)	29 fc (312 lx)	2.2' (0.7 m)
8.3' (2.5 m)	19 fc (205 lx)	2.8' (0.9 m)
10.0' (3.0 m)	13 fc (140 lx)	3.3' (1.0 m)



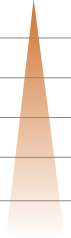
SD 6LED Illuminance at a Distance

Feet (Meters)	Center Beam	Beam Width
	Foot-Candle (Lux)	
1.7' (0.5 m)	749 fc (8,062 lx)	0.5' (0.2 m)
3.3' (1.0 m)	199 fc (2,142 lx)	1.0' (0.3 m)
5.0' (1.5 m)	87 fc (937 lx)	1.6' (0.5 m)
6.7' (2.0 m)	48 fc (517 lx)	2.1' (0.6 m)
8.3' (2.5 m)	31 fc (334 lx)	2.6' (0.8 m)
10.0' (3.0 m)	22 fc (237 lx)	3.2' (1.0 m)



SD 9LED Illuminance at a Distance

Feet (Meters)	Center Beam	Beam Width
	Foot-Candle (Lux)	
1.7' (0.5 m)	1,170 fc (12,594 lx)	0.6' (0.2 m)
3.3' (1.0 m)	310 fc (3,337 lx)	1.0' (0.3 m)
5.0' (1.5 m)	135 fc (1,453 lx)	1.5' (0.5 m)
6.7' (2.0 m)	75 fc (807 lx)	2.0' (0.6 m)
8.3' (2.5 m)	49 fc (527 lx)	2.5' (0.8 m)
10.0' (3.0 m)	34 fc (366 lx)	3.0' (0.9 m)



SD zDC Illuminance at a Distance

Feet (Meters)	Center Beam	Beam Width
	Foot-Candle (Lux)	
1.7' (0.5 m)	69 fc (743 lx)	1.5' (0.5 m)
3.3' (1.0 m)	18 fc (194 lx)	2.9' (0.9 m)
5.0' (1.5 m)	8.0 fc (86 lx)	4.4' (1.3 m)
6.7' (2.0 m)	4.4 fc (47 lx)	5.9' (1.8 m)
8.3' (2.5 m)	2.9 fc (31 lx)	7.3' (2.2 m)
10.0' (3.0 m)	2.0 fc (21 lx)	8.8' (2.7 m)

