

FXLuminaire®

REPLACEMENT PARTS LIST

LANDSCAPE LIGHTING



EFFECTIVE DATE: DECEMBER 2017

fxl.com



TABLE OF CONTENTS

| | | | | | | | |
|-----------|------------|---------|------------|-------------|------------|--------|------------|
| AL | 59 | EA LED | 39 | MM | 87 | QF | 50 |
| AN | 77 | FB LED | 11 | MO LED | 92 | QZ LED | 5 |
| AP | 76 | FC | 110 | MP | 4 | RL | 18 |
| A-RISER | 54 | FC LED | 111 | M-PL LED | 66 | RP | 116 |
| BD | 27 | FG | 62 | MR-16 LAMPS | 124 | RS | 7 |
| BD LED | 28 | FG LED | 63 | MR LED | 15 | RW | 73 |
| BP | 93 | FR LED | 22 | MS LED | 88 | SC | 36 |
| BQ | 123 | GN | 78 | MU | 10 | SC LED | 37 |
| CA | 40 | G-RISER | 52 | NL LED | 101 | SI | 9 |
| CB | 48 | GT | 75 | NP LED | 13 | SM | 117 |
| CC LED | 20 | HC LED | 33 | NR LED | 23 | SP | 31 |
| CF | 112 | JB LED | 104 | PB | 25 | SP-A | 32 |
| CG | 89 | JS LED | 45 | PD | 85 | TB | 126 |
| CL | 95 | KG LED | 115 | PD LED | 86 | TC | 96 |
| CM | 8 | LB | 118 | PE LED | 114 | TD | 60 |
| CP | 79 | LC LED | 26 | PF | 29 | TD LED | 61 |
| CP LED | 80 | LE LED | 109 | PF LED | 30 | TE | 113 |
| CR | 17 | LF LED | 94 | PL | 57 | TM | 55 |
| CV | 46 | LL LED | 119 | PL LED | 58 | TM LED | 56 |
| DE LED | 103 | LM | 81 | PM | 64 | TS | 97 |
| DL | 44 | LM LED | 82 | PM LED | 65 | UN | 83 |
| DM | 42 | LO | 19 | PO LED | 91 | UN LED | 84 |
| DP | 71 | LR | 16 | PR | 34 | VE LED | 107 |
| DR 2 TIER | 68 | LS | 105 | P-RISER | 53 | VS LED | 21 |
| DR 3 TIER | 67 | LX | 121 | PS LED | 99 | | |
| DS 2 TIER | 69 | LZDC | 120 | PV | 72 | | |
| DS 3 TIER | 70 | MD | 98 | PX | 122 | | |
| EA | 38 | ML | 90 | QB LED | 6 | | |

UP LIGHTS

MP

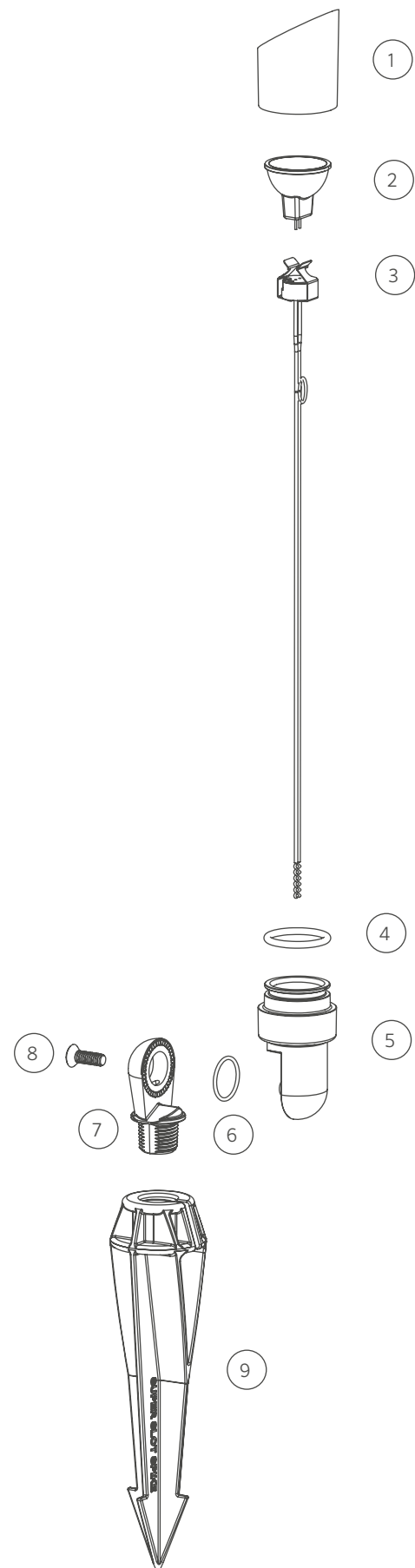
| ITEM | DESCRIPTION | CATALOG # |
|------|--------------------------------|----------------|
| 1 | Lens Cap Assembly (Clear Lens) | MPLCXX*† |
| 2 | Lamp, MR-11 | See Lamp Chart |
| 3 | Socket Assembly, MR-11 | 250010440000 |
| 4 | O-Ring | 250010280015 |
| 5 | Base | - |
| 6 | O-Ring | 250020280002 |
| 7 | Knuckle | - |
| 8 | Screw, ¼-20 x ¾ | 250010290000 |
| 9 | Super Slot Spike | 753900 |

*XX = powder coat color code

† Replace "C" with "F" for frosted lens option

LAMP CHART

| DESCRIPTION | CATALOG # |
|----------------------------------|--------------|
| Lamp, MR-11, 12W, 10°, 2,000 Hrs | 250010220001 |
| Lamp, MR-11, 20W, 10°, 2,000 Hrs | 250010220002 |
| Lamp, MR-11, 20W, 36°, 2,000 Hrs | 250010220003 |
| Lamp, MR-11 35W 12°, 2,000 Hrs | 250010220004 |
| Lamp, MR-11 35W 30°, 2,000 Hrs | 250010220005 |



QZ LED

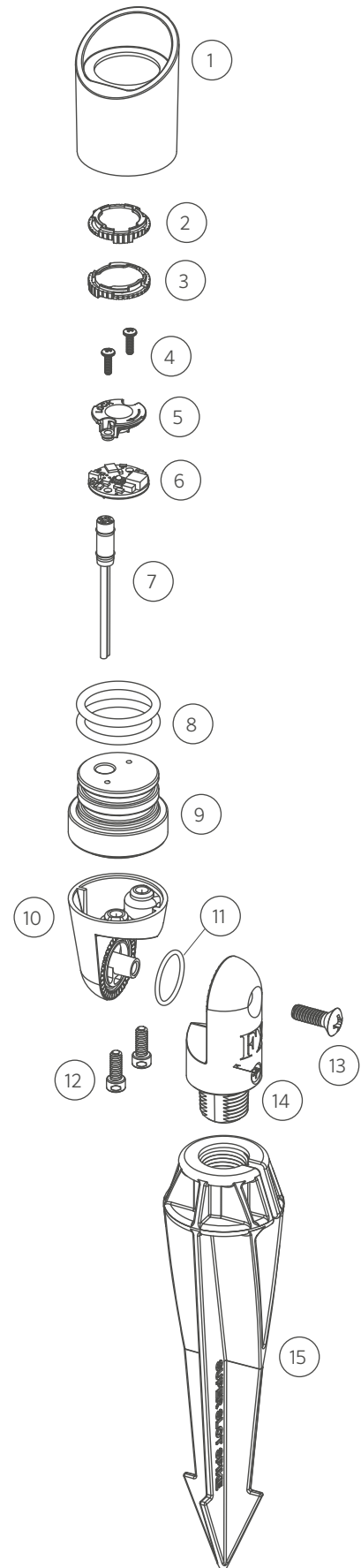
| ITEM | DESCRIPTION | CATALOG # |
|------|---------------------|---------------|
| 1 | Lens Cap Assembly | QZLCXX* |
| 2 | Beam Angle Lens | See LED Chart |
| 3 | Color Filter | See LED Chart |
| 4 | Screw | See LED Chart |
| 5 | Reflector | See LED Chart |
| 6 | LED Board | See LED Chart |
| 7 | Socket, 3-meter | 752601 |
| 8 | O-Ring | 250010280015 |
| 9 | Body | - |
| 10 | Base | - |
| 11 | O-Ring | 250010280002 |
| 12 | Screw, 10-24 x 3/8 | 250013940000 |
| 13 | Screw, 1/4-20 x 3/4 | 250010290000 |
| 14 | Knuckle Subassembly | KFM050XX* |
| 15 | Super Slot Spike | 753900 |

* XX = powder coat color code

QZ LED COMPONENTS

| ITEM | DESCRIPTION | CATALOG # |
|------|--|------------------------|
| 2 | 1 LED Spot Lens (20°) | 770600 |
| 2 | 1 LED Flood Lens (30°-32°) | 1LEDFLENS |
| 2 | 1 LED Wide Flood Lens (56°-58°) | 1LEDWFLENS |
| 3 | 1 LED Color Filter, Amber | 770100 |
| 3 | 1 LED Color Filter, Blue | 770101 |
| 3 | 1 LED Color Filter, Green | 770102 |
| 4 | 1/3 LED Screw, 4-40 x 3/8 (Qty Req: 2) | 762400 |
| 5 | 1 LED Reflector | 770000 |
| 6 | 1 LED Board | 1LEDULKIT [‡] |

[‡] ZD = zoneable and dimmable (add ZD to front of part number)



QB LED

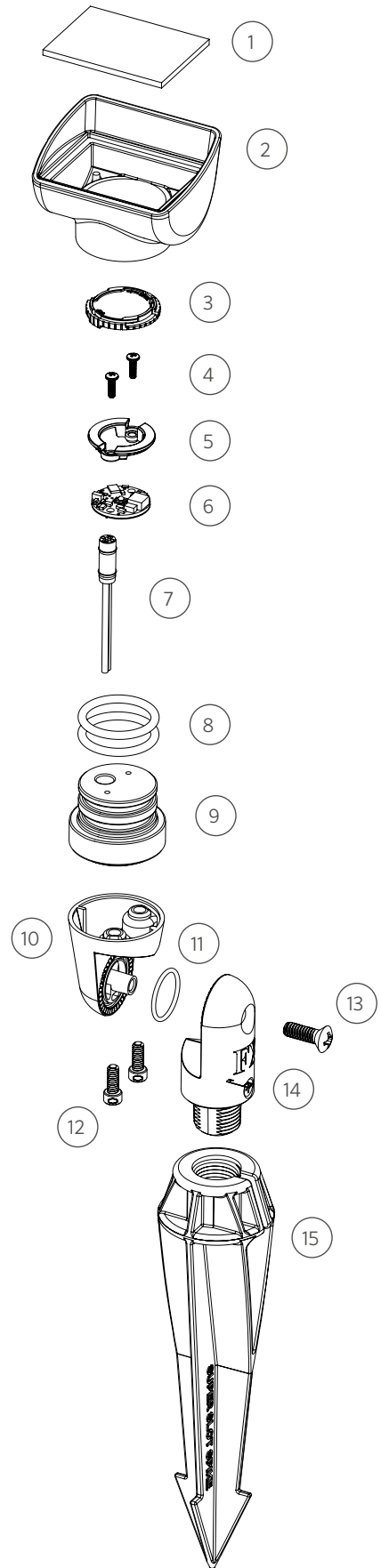
| ITEM | DESCRIPTION | CATALOG # |
|--------|-----------------------------|---------------|
| 1 | Lens | - |
| 2 | Shroud | - |
| 3 | Color Filter | See LED Chart |
| 4 | Screw | See LED Chart |
| 5 | Color Filter Support | 250021070000 |
| 6 | LED Board | See LED Chart |
| 7 | Socket, 3-meter | 752601 |
| 8 | O-Ring | 250010280015 |
| 9 | Body | - |
| 10 | Base | - |
| 11 | O-Ring | 250010280002 |
| 12 | Screw, 10-24 x 3/8 | 250013940000 |
| 13 | Screw, 1/4-20 x 3/4 | 250010290000 |
| 14 | Knuckle Subassembly | KFM050XX* |
| 15 | Super Slot Spike | 753900 |
| 1-2, 8 | Lens Cap Assembly (Frosted) | QBLFXX* |

*XX = powder coat color code

QB LED COMPONENTS

| ITEM | DESCRIPTION | CATALOG # |
|------|--|------------------------|
| 3 | 1 LED Color Filter, Amber | 770100 |
| 3 | 1 LED Color Filter, Blue | 770101 |
| 3 | 1 LED Color Filter, Green | 770102 |
| 4 | 1/3 LED Screw, 4-40 x 3/8 (Qty Req: 2) | 762400 |
| 6 | 1 LED Board | 1LEDULKIT [‡] |

[‡] ZD = zoneable and dimmable (add ZD to front of part number)

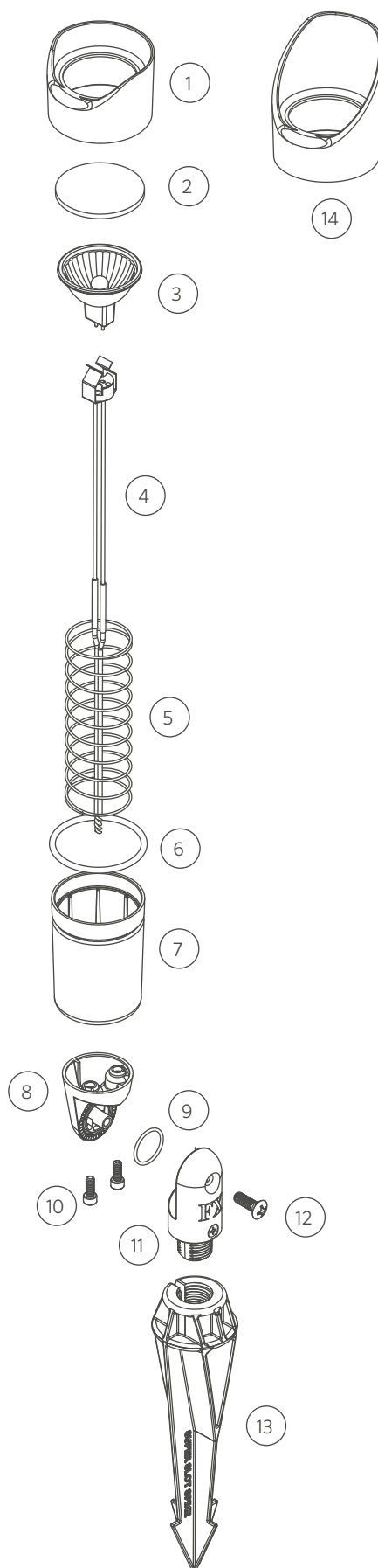


RS

| ITEM | DESCRIPTION | CATALOG # |
|----------|---------------------------------------|------------------------|
| 1 | Shroud | - |
| 2 | Lens | - |
| 3 | Lamp, MR-16 | See Lamp Chart, p. 124 |
| 4 | Socket Assembly, MR-16 | 761600 |
| 5 | Spring, Compression | - |
| 6 | O-Ring | 250010280017 |
| 7 | Can | - |
| 8 | Base | - |
| 9 | O-Ring | 250010280002 |
| 10 | Screw, 10-24 x 3/8 | 250013940000 |
| 11 | Knuckle Subassembly | KFM050XX* |
| 12 | Screw, 1/4-20 x 3/4 | 250010290000 |
| 13 | Super Slot Spike | 753900 |
| 14 | Long Shroud | - |
| 1-2, 6 | Lens Cap Assembly (Clear) | RSLCXX* [†] |
| 2, 6, 14 | Long Shroud Lens Cap Assembly (Clear) | RSLCLSXX* |

*XX = powder coat color code

[†]Replace "C" with "F" for frosted lens option

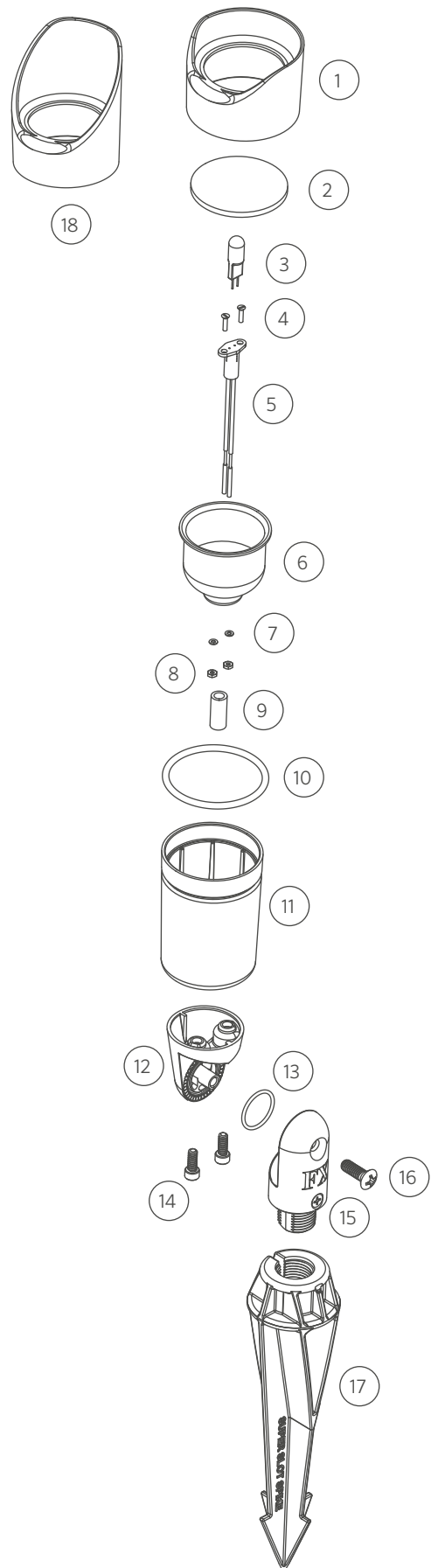


CM

| ITEM | DESCRIPTION | CATALOG # |
|-----------|-------------------------------|------------------------|
| 1 | Shroud, Short | - |
| 2 | Lens | - |
| 3 | Lamp, G4 Bi-Pin | See Lamp Chart, p. 124 |
| 4 | Screw, 2-56 X 3/8 | 250010540000 |
| 5 | Socket | 250010580000 |
| 6 | Reflector | - |
| 7 | Washer, Flat, No. 2 | 250010530000 |
| 8 | Nut, 2-56 | 250010550000 |
| 9 | Silicone Sleeve | 250010560000 |
| 10 | O-Ring | 250010280017 |
| 11 | Can | - |
| 12 | Base, Knuckle | - |
| 13 | O-Ring | 250010280002 |
| 14 | Screw, 10-24 X 3/8 | 250013940000 |
| 15 | Knuckle Subassembly | KFM050XX* |
| 16 | Screw, 1/4-20 X 3/4 | 250010290000 |
| 17 | Super Slot Spike | 753900 |
| 18 | Long Shroud | - |
| 1, 2, 10 | Lens Cap Assembly | RSLCXX*† |
| 2, 10, 18 | Long Shroud Lens Cap Assembly | RSLCLSXX* |
| 4-9 | Socket Assembly | 250016000000 |

* XX = powder coat color code

† Replace "C" with "F" for frosted lens option

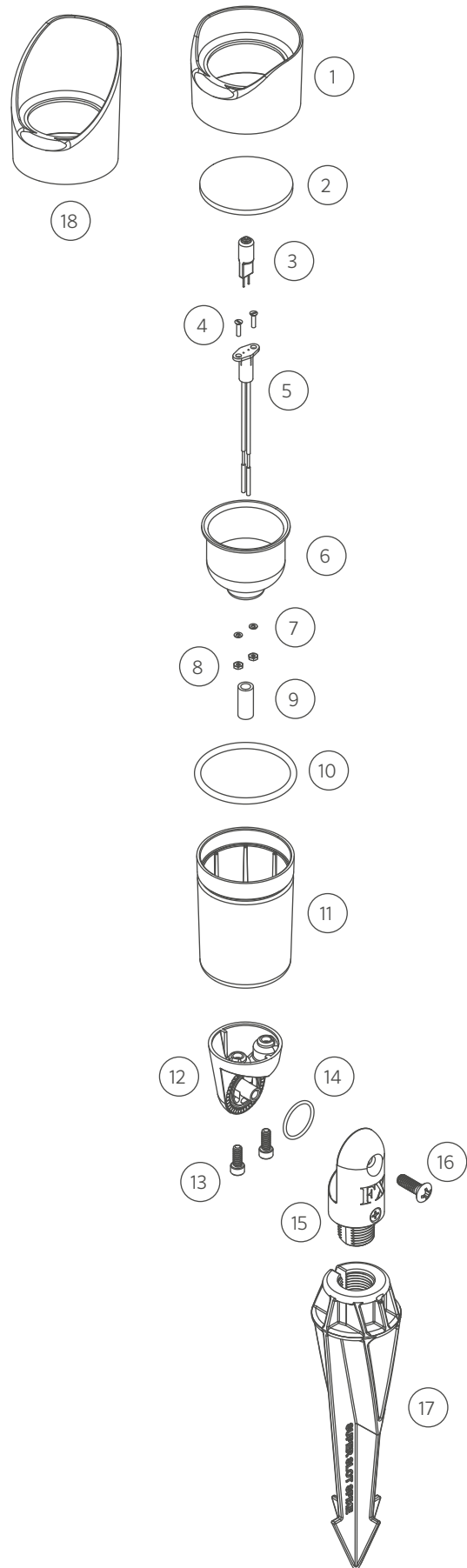


SI

| ITEM | DESCRIPTION | CATALOG # |
|-----------|----------------------|------------------------|
| 1 | Shroud | - |
| 2 | Lens | 250010230000 |
| 3 | Lamp, G4 Bi-Pin | See Lamp Chart, p. 124 |
| 4 | Screw, 2-56 x 3/8 | 250010540000 |
| 5 | Socket, T3 | 250010580000 |
| 6 | Reflector | - |
| 7 | Washer, Flat, No. 2 | 250010530000 |
| 8 | Nut, 2-56 | 250010550000 |
| 9 | Silicone Sleeve | 250010560000 |
| 10 | O-Ring | 250010280017 |
| 11 | Can | - |
| 12 | Base | - |
| 13 | Screw, 10-24 x 3/8 | 250013940000 |
| 14 | O-Ring | 250010280002 |
| 15 | Knuckle Subassembly | KFM050XX* |
| 16 | Screw, 1/4-20 x 3/4 | 250010290000 |
| 17 | Super Slot Spike | 753900 |
| 18 | Long Shroud | - |
| 4-9 | Socket Assembly | 250016000000 |
| 1-2, 10 | Lens Cap Assembly | RSLCXX*† |
| 2, 10, 18 | Long Shroud Lens Cap | RSLCLSXX* |

* XX = powder coat color code

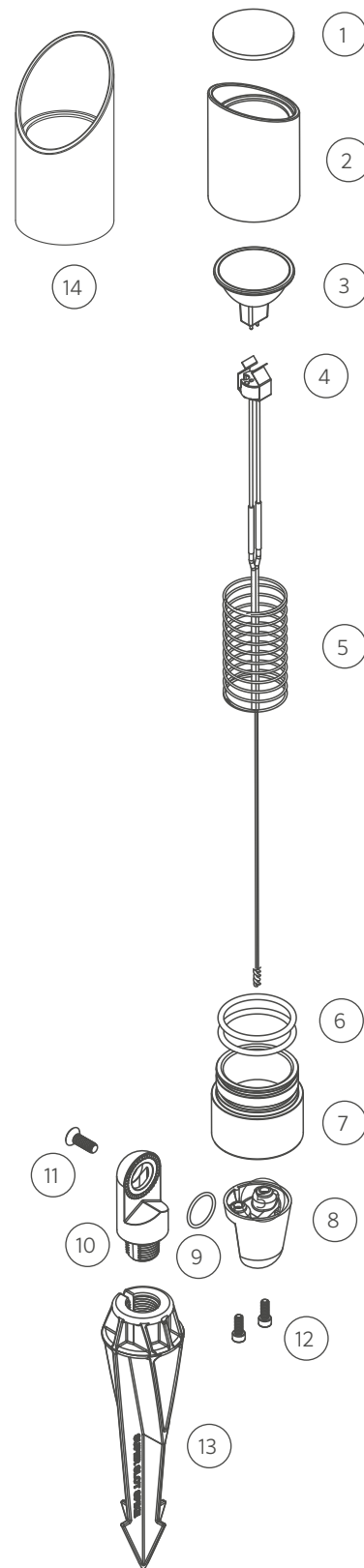
† Replace "C" with "F" for frosted lens option



MU

| ITEM | DESCRIPTION | CATALOG # |
|----------|------------------------|------------------------|
| 1 | Lens | - |
| 2 | Shroud | - |
| 3 | Lamp, MR-16 | See Lamp Chart, p. 124 |
| 4 | Socket Assembly, MR-16 | 761600 |
| 5 | Spring | - |
| 6 | O-Ring | 250010280017 |
| 7 | Body | - |
| 8 | Base | - |
| 9 | O-Ring | 250010280002 |
| 10 | Subassembly | KFM050XX* |
| 11 | Screw, 1/4-20 x 3/4 | 250010290000 |
| 12 | Screw, 10-24 x 3/8 | 250013940000 |
| 13 | Super Slot Spike | 753900 |
| 14 | Long Shroud | - |
| 1-2, 6 | Lens Cap Assembly | MULCXX* |
| 1, 6, 14 | Long Shroud Lens Cap | MULCLSXX* |

*XX = powder coat color code

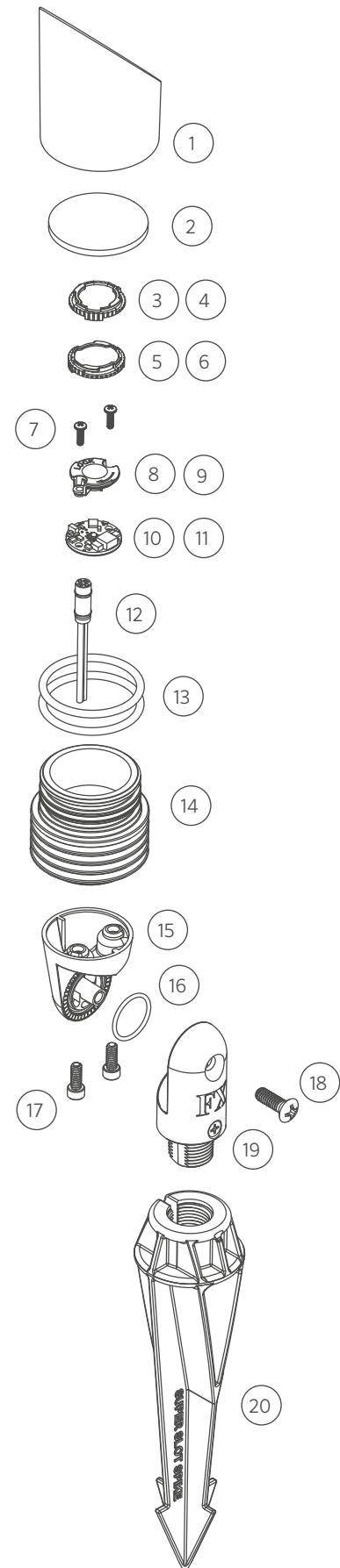


FB LED

| ITEM | DESCRIPTION | CATALOG # |
|---------|---------------------------|---------------|
| 1 | Shroud | - |
| 2 | Lens, Clear | - |
| 3-4 | Beam Angle Lens | See LED Chart |
| 5-6 | Color Filter | See LED Chart |
| 7 | Screw, 4-40 x 3/8 | See LED Chart |
| 8-9 | Reflector | See LED Chart |
| 10-11 | LED Board | See LED Chart |
| 12 | Socket, 3-meter | 752601 |
| 13 | O-Ring | 250010280017 |
| 14 | Body | - |
| 15 | Base | - |
| 16 | O-Ring | 250010280002 |
| 17 | Screw, 10-24 x 3/8 | 250013940000 |
| 18 | Screw, 1/4-20 x 3/4 | 250010290000 |
| 19 | Knuckle Subassembly | KFM050XX* |
| 20 | Super Slot Spike | 753900 |
| 1-2, 13 | Lens Cap Assembly (Clear) | FBLCXX*† |

* XX = powder coat color code

† Replace "C" with "F" for frosted lens option



FB LED COMPONENTS

| ITEM | DESCRIPTION | CATALOG # |
|------|---|------------------------|
| 3 | 1 LED Spot Lens (18°) | 770600 |
| 3 | 1 LED Flood Lens (30°-32°) | 1LEDFLENS |
| 3 | 1 LED Wide Flood Lens (56°-58°) | 1LEDWFLENS |
| 4 | 3 LED Spot Lens (18°) | 771300 |
| 4 | 3 LED Flood Lens (30°-32°) | 3LEDFLENS |
| 4 | 3 LED Wide Flood Lens (56°-58°) | 3LEDWFLENS |
| 5 | 1 LED Color Filter, Amber | 770100 |
| 5 | 1 LED Color Filter, Blue | 770101 |
| 5 | 1 LED Color Filter, Green | 770102 |
| 6 | 3 LED Color Filter, Amber | 770800 |
| 6 | 3 LED Color Filter, Blue | 770801 |
| 6 | 3 LED Color Filter, Green | 770802 |
| 7 | 1/3 LED Screw, 4-40 x 3/8 (Qty Req: 2) | 762400 |
| 8 | 1 LED Reflector | 770000 |
| 9 | 3 LED Reflector | 770700 |
| 9 | ZDC Reflector | 250022050000 |
| 10 | 1 LED Board | 1LEDULKIT [†] |
| 11 | 3 LED Board | 3LEDULKIT [†] |
| 11 | ZDC LED Board | ZDCKITM ^{**} |

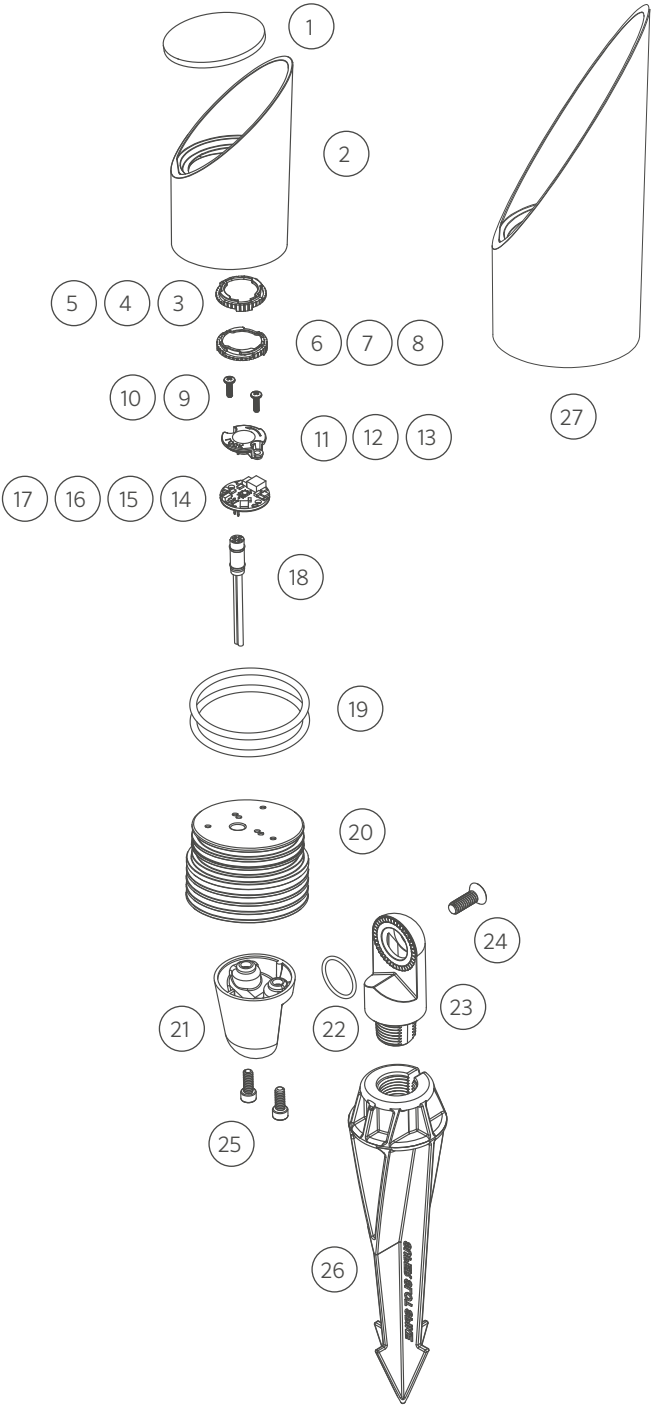
[†] ZD = zoneable and dimmable (add ZD to front of part number)

^{**} ZDC kit includes LED board, reflector (#9), screws (#7), and flood lens diffuser (3LEDWFLENS)

NP LED

| ITEM | DESCRIPTION | CATALOG # |
|-------|---------------------------------------|---------------|
| 1 | Lens | - |
| 2 | Shroud | - |
| 3-5 | Beam Angle Lens | See LED Chart |
| 6-8 | Color Filter | See LED Chart |
| 9-10 | Screw | See LED Chart |
| 11-13 | Reflector | See LED Chart |
| 14-17 | LED Board | See LED Chart |
| 18 | Socket, 3-meter | 752601 |
| 19 | O-Ring | 250010280025 |
| 20 | Body | - |
| 21 | Base | - |
| 22 | O-Ring | 250010280002 |
| 23 | Knuckle Subassembly | KFM050XX* |
| 24 | Screw, 1/4-20 x 3/4 | 250010290000 |
| 25 | Screw, 10-24 x 3/8 | 250013940000 |
| 26 | Super Slot Spike | 753900 |
| 27 | Long Shroud | - |
| 1-2 | Lens Cap Assembly (Clear) | NPLCXX*† |
| 1, 27 | Long Shroud Lens Cap Assembly (Clear) | NPLCLSXX*† |

* XX = powder coat color code
 † Replace "C" with "F" for frosted lens option



NP LED COMPONENTS

| ITEM | DESCRIPTION | CATALOG # |
|------|-------------------------------------|------------------------|
| 3 | 1 LED Spot Lens (18°) | 770600 |
| 3 | 1 LED Flood Lens (30°-32°) | 1LEDFLENS |
| 3 | 1 LED Wide Flood Lens (56°-58°) | 1LEDWFLENS |
| 4 | 3 LED Diffuser | 771300 |
| 4 | 3 LED Flood Lens (30°-32°) | 3LEDFLENS |
| 4 | 3 LED Wide Flood Lens (56°-58°) | 3LEDWFLENS |
| 5 | 6/9 LED Diffuser | 771600 |
| 5 | 6/9 LED Flood Lens (30°-32°) | 9LEDFLENS |
| 5 | 6/9 LED Wide Flood Lens (56°-58°) | 9LEDWFLENS |
| 6 | 1 LED Color Filter, Amber | 770100 |
| 6 | 1 LED Color Filter, Blue | 770101 |
| 6 | 1 LED Color Filter, Green | 770102 |
| 7 | 3 LED Color Filter, Amber | 770800 |
| 7 | 3 LED Color Filter, Blue | 770801 |
| 7 | 3 LED Color Filter, Green | 770802 |
| 8 | 6/9 LED Color Filter, Amber | 771500 |
| 8 | 6/9 LED Color Filter, Blue | 771501 |
| 8 | 6/9 LED Color Filter, Green | 771502 |
| 9 | 1/3 LED Screw, 4-40 x 3/8 (Qty: 2) | 762400 |
| 10 | 6/9 LED Screw, 4-40 x 7/16 (Qty: 3) | 250014550000 |
| 11 | 1 LED Reflector | 770000 |
| 12 | 3 LED Reflector | 770700 |
| 13 | 6/9 LED Reflector | 771400 |
| 13 | ZDC LED Reflector | 250020690000 |
| 14 | 1 LED Board | 1LEDULKIT [†] |
| 15 | 3 LED Board | 3LEDULKIT* |
| 16 | 6 LED Board | 6LEDULKIT [†] |
| 17 | 9 LED Board | 9LEDULKIT [†] |
| 17 | ZDC LED Board | ZDCKITL** |

[†] ZD = zoneable and dimmable (add ZD to front of part number)

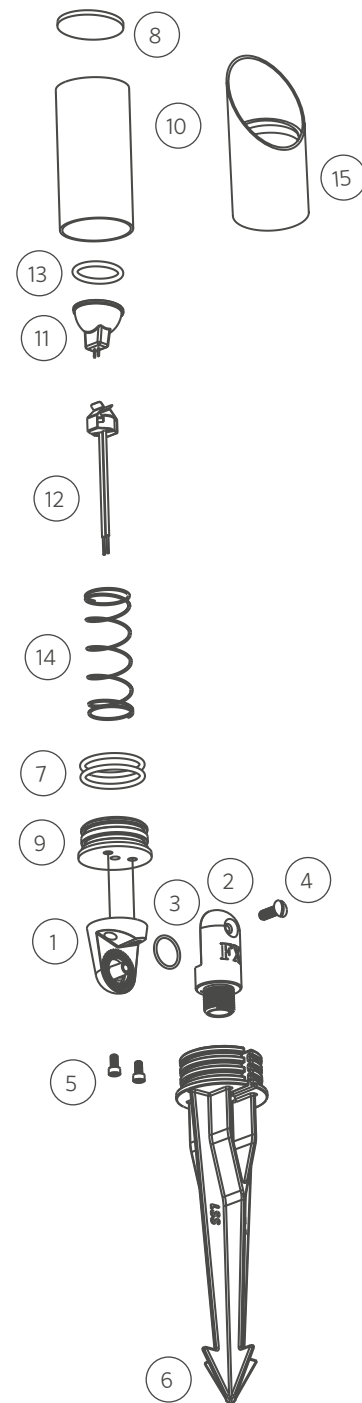
** ZDC kit includes LED board, reflector (#13), screws (#10), and flood lens diffuser (9LEDFLENS)

MR LED

| ITEM | DESCRIPTION | CATALOG # |
|------|--|--------------|
| 1 | Base, Knuckle, Brass | - |
| 2 | Fitting, Knuckle, Brass | KFM050XX |
| 3 | O-Ring, Silicone, Orange, -019 | 250010280002 |
| 4 | Screw, Ovhd, 1/4-20 x 3/4 LG, Mach, Sltd, Brass, 82° | 250010630000 |
| 5 | Screw, SCH, 10-24 x 3/8 LG, SST | 250013940000 |
| 6 | Large Slot Spike (LSS) | 250015840000 |
| 7 | O-Ring, Silicone, Orange, -222 | 250010280017 |
| 8 | Lens, Clear, 0.130" Thick x 1.800" Diameter | - |
| 9 | Body, MR | - |
| 10 | Shroud Assembly, Straight, MR | - |
| 11 | Lamp, Halogen, MR-11, 12V | 250010450000 |
| 12 | Socket Assembly, MR-11 | 250010440000 |
| 13 | O-Ring, Silicone, Orange, -216 | 250010280015 |
| 14 | Spring, 2" | 630900 |
| 8,10 | Lens Cap Assembly | MR-LC-XX |
| 8,15 | Lens Cap Assembly (Long Shroud) | MR-LC-LS-XX |

* XX = Finish code

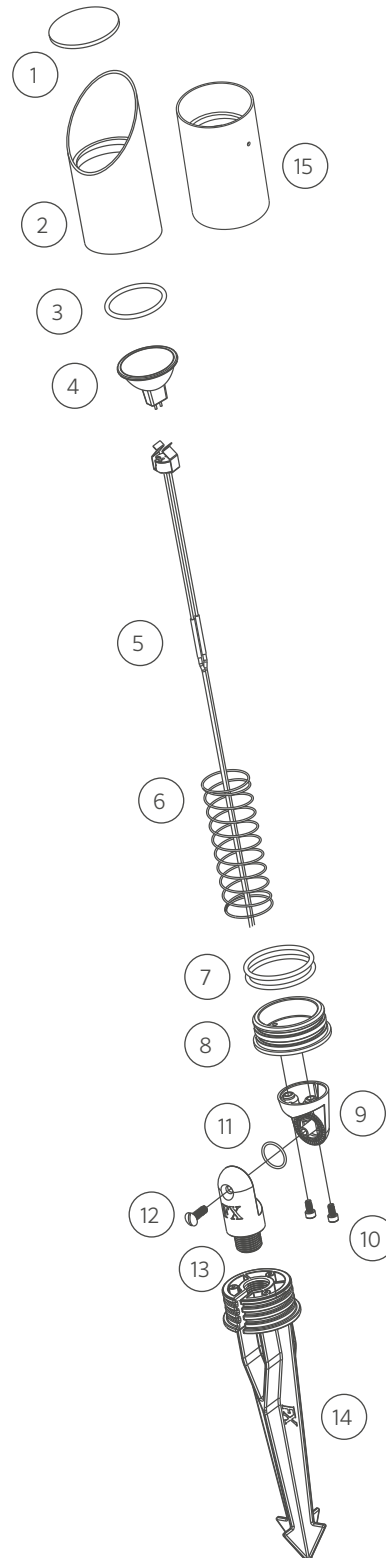
† Replace "C" with "F" for frosted lens option



LR

| ITEM | DESCRIPTION | CATALOG # |
|-------|--|------------------------|
| 1 | Lens, 0.130" Thick x 2.275" Diameter | - |
| 2 | Shroud, Straight, LR | - |
| 3 | O-Ring, Silicone, Orange, -224 | 250010280006 |
| 4 | Lamp, MR-16, 12V | See Lamp Chart, p. 124 |
| 5 | Socket Assembly, MR-16, 18GA SPT-1 | 761600 |
| 6 | Spring, Compression | 405500 |
| 7 | O-Ring, Silicone, Orange, -226 | 250010280025 |
| 8 | Body, LR | - |
| 9 | Base, Knuckle, Brass | - |
| 10 | Screw, SCH, 10-24 x 3/8 LG, SST | 250013940000 |
| 11 | O-Ring, Silicone, Orange, -019 | 250010280002 |
| 12 | Fitting, Knuckle, Brass | KFM-050-XX |
| 13 | Screw, Ovhd, 1/4-20 x 3/4 LG, Mach, Sltd, Brass, 82° | 250010630000 |
| 14 | Large Slot Spike (LSS) | 250015840000 |
| 15 | Shroud, Angled, LR | - |
| 1-2 | Lens Cap Assembly | LR-LC-XX |
| 1, 15 | Lens Cap Assembly (Long Shroud) | LR-LC-LS-XX |

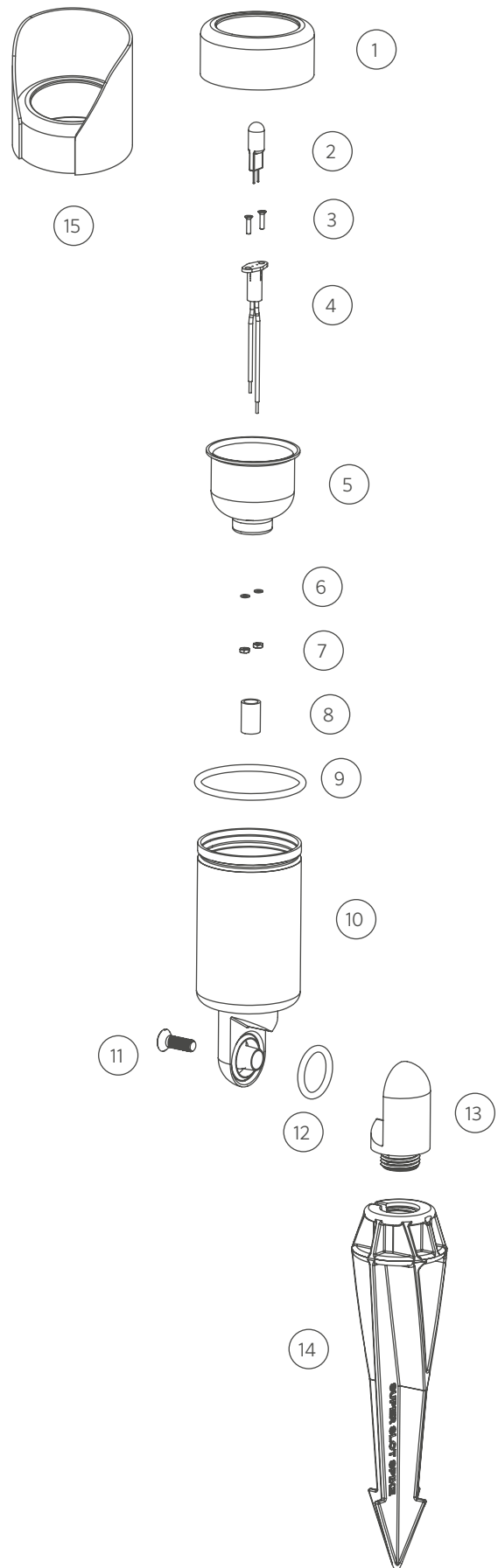
* XX = finish code



CR

| ITEM | DESCRIPTION | CATALOG # |
|------|--------------------------------|------------------------|
| 1 | Lens Cap Assembly | CRLCXX* |
| 2 | Lamp, G4 Bi-Pin | See Lamp Chart, p. 124 |
| 3 | Screw | - |
| 4 | Socket, T3 | 250010580000 |
| 5 | Reflector | - |
| 6 | Washer | 250010530000 |
| 7 | Nut | - |
| 8 | Sleeve | - |
| 9 | O-Ring | 250010280017 |
| 10 | Can Assembly | - |
| 11 | Screw | 250010630000 |
| 12 | O-Ring | 250010280005 |
| 13 | Knuckle, Brass | 250010610000 |
| 14 | Super Slot Spike | 753900 |
| 15 | Glare Shroud Lens Cap Assembly | |
| 3-8 | Socket Assembly | 250016000000 |

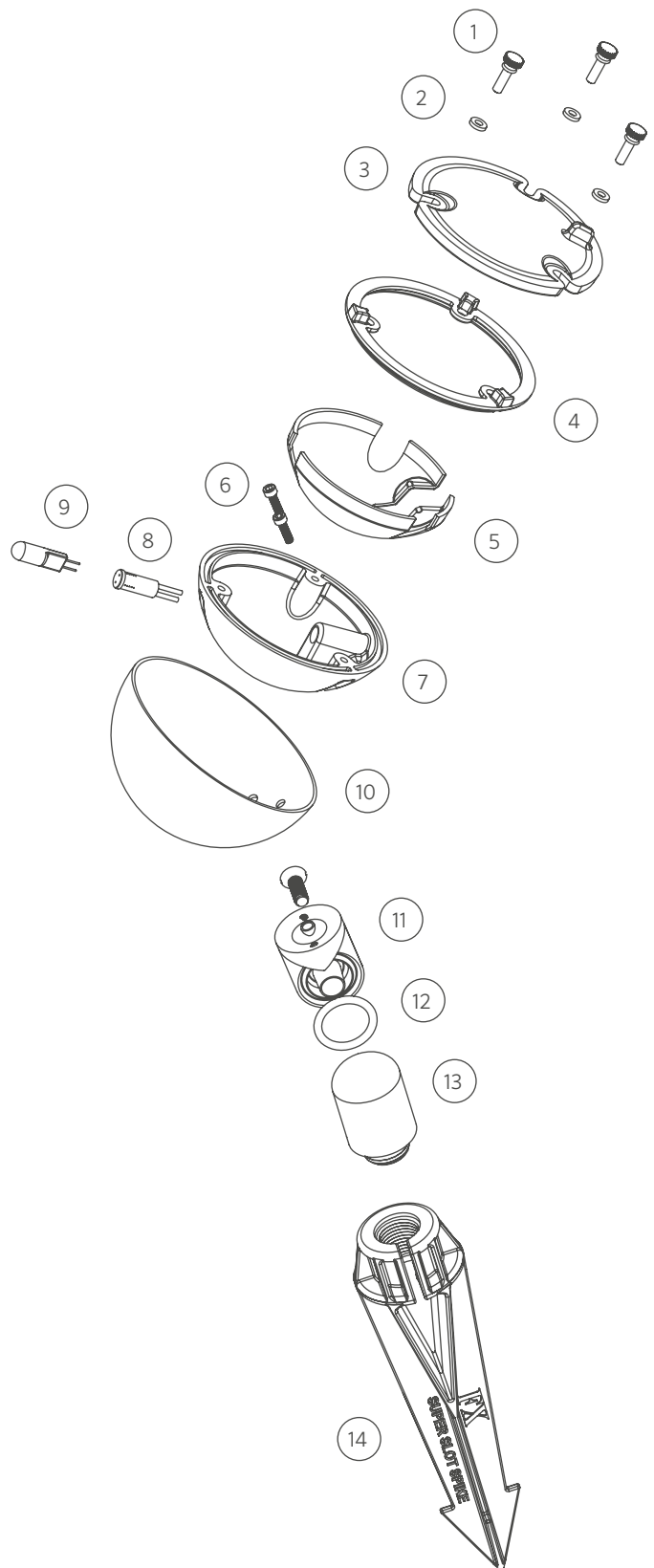
* XX = finish code



RL

| ITEM | DESCRIPTION | CATALOG # |
|------|-------------------|------------------------|
| 1 | Screw, 8-32 x 1/2 | 250010700000 |
| 2 | Washer | 250014210000 |
| 3 | Lens, Frosted | RLL3* |
| 4 | Seal | 250010740000 |
| 5 | Reflector | 250010720000 |
| 6 | Screw, 6-32 x 1/2 | 250010690000 |
| 7 | Body | - |
| 8 | Socket | 754601 |
| 9 | Lamp, Xenon | See Lamp Chart, p. 124 |
| 10 | Housing | - |
| 11 | Knuckle Base | - |
| 12 | O-Ring | 250010280005 |
| 13 | Knuckle, Brass | 250010610000 |
| 14 | Super Slot Spike | 753900 |

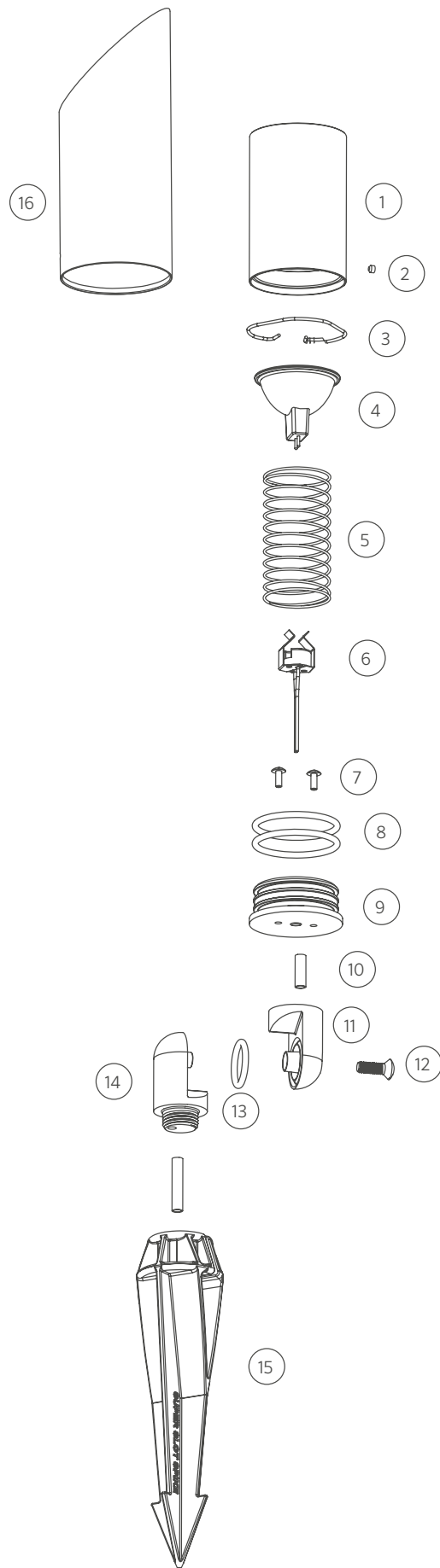
*Order RLL1 for obsolete, single-hole option



LO

| ITEM | DESCRIPTION | CATALOG # |
|------|-------------------------------|------------------------|
| 1 | Lens Cap Assembly | LOLCXX* |
| 1 | Long Shroud Lens Cap Assembly | LOLCLSXX* |
| 2 | Screw, 8-32 x 1/8 | 250010320000 |
| 3 | Spring | 250010640000 |
| 4 | Lamp, MR-16 | See Lamp Chart, p. 124 |
| 5 | Spring | - |
| 6 | Socket, MR-16 | 250010170000 |
| 7 | Screw, 6-32 x 1/4 | 250010210000 |
| 8 | O-Ring | 250010280017 |
| 9 | Base | - |
| 10 | Tube | - |
| 11 | Fitting, Knuckle, Brass | - |
| 12 | Screw, 1/4-20 x 3/4 | 250010630000 |
| 13 | O-Ring | 250010280005 |
| 14 | Knuckle, Brass | 250010610000 |
| 15 | Super Slot Spike | 753900 |
| 16 | Lens Cap, Long Shroud | LOLCLSXX* |
| | Hex Key, 5/64 | 250010330000 |

*XX = finish code



CC LED

| ITEM | DESCRIPTION | CATALOG # |
|-------|--|---------------|
| 1 | Lens Cap Assembly (Straight, Clear) | CCLCXX* † |
| 2 | Lens Cap Assembly (Long Shroud, Clear) | CCLCLSXX* † |
| 3-4 | Beam Angle Lens | See LED Chart |
| 5-6 | Color Filter | See LED Chart |
| 7 | Screw, 4-40 x 3/8 | See LED Chart |
| 8-9 | Reflector | See LED Chart |
| 10-11 | LED Board | See LED Chart |
| 12 | Socket, 3-meter | 752601 |
| 13 | O-Ring | 250010280016 |
| 14 | Housing | - |
| 15 | Screw, 1/4-20 x 3/4 | 250010630000 |
| 16 | O-Ring | 250010280005 |
| 17 | Knuckle, Brass | 250010610000 |
| 18 | Large Slot Spike | 250015840000 |

* XX = finish code

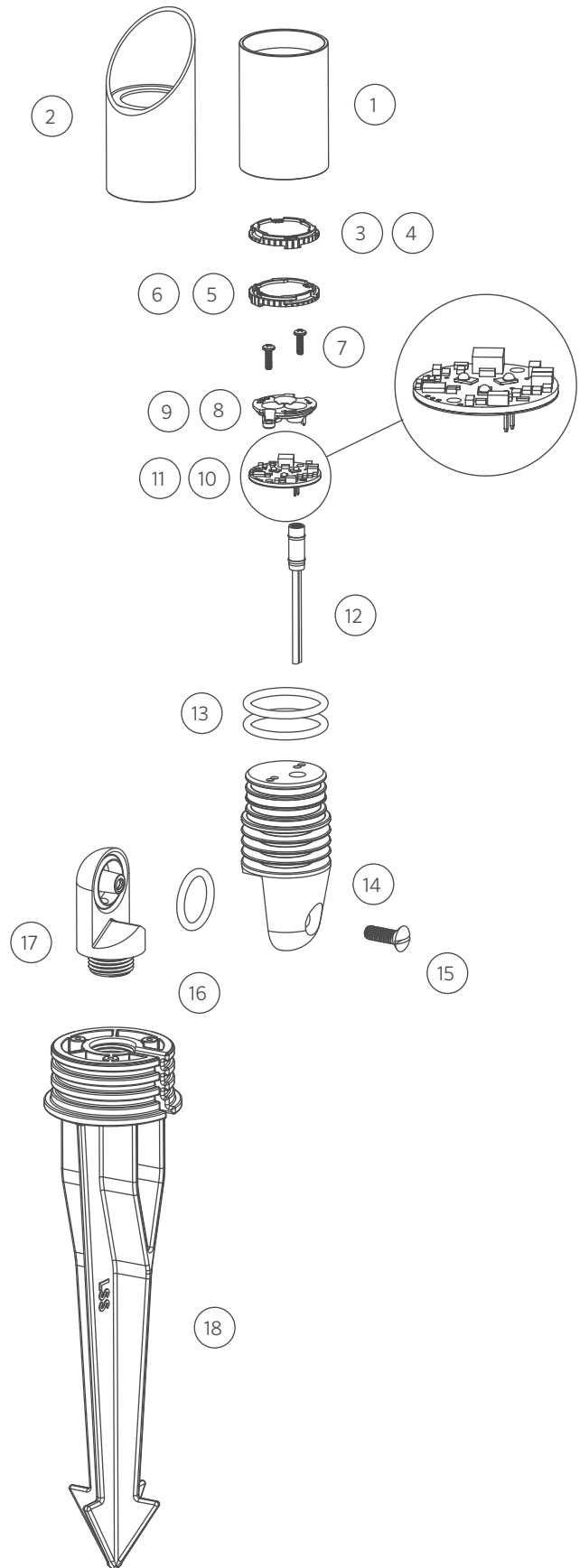
† Replace "LC" with "LF" for frosted lens option

CC LED COMPONENTS

| ITEM | DESCRIPTION | CATALOG # |
|------|------------------------------------|--------------|
| 3 | 1 LED Spot Lens (18°) | 770600 |
| 3 | 1 LED Flood Lens (30°-32°) | 1LEDFLENS |
| 3 | 1 LED Wide Flood Lens (56°-58°) | 1LEDWFLENS |
| 4 | 3 LED Diffuser | 771300 |
| 4 | 3 LED Flood Lens (30°-32°) | 3LEDFLENS |
| 4 | 3 LED Wide Flood Lens (56°-58°) | 3LEDWFLENS |
| 5 | 1 LED Color Filter, Amber | 770100 |
| 5 | 1 LED Color Filter, Blue | 770101 |
| 5 | 1 LED Color Filter, Green | 770102 |
| 6 | 3 LED Color Filter, Amber | 770800 |
| 6 | 3 LED Color Filter, Blue | 770801 |
| 6 | 3 LED Color Filter, Green | 770802 |
| 7 | 1/3 LED Screw, 4-40 x 3/8 (Qty: 2) | 762400 |
| 8 | 1 LED Reflector | 770000 |
| 9 | 3 LED Reflector | 770700 |
| 9 | ZDC LED Reflector | 250022050000 |
| 10 | 1 LED Board | 1LEDULKIT‡ |
| 11 | 3 LED Board | 3LEDULKIT‡ |
| 12 | ZDC LED Board | ZDCKITM |

‡ ZD = zoneable and dimmable (add ZD to front of part number)

**ZDC kit includes LED board, reflector (#9), screws (#7), and flood lens diffuser (3LEDFLENS)



VS LED

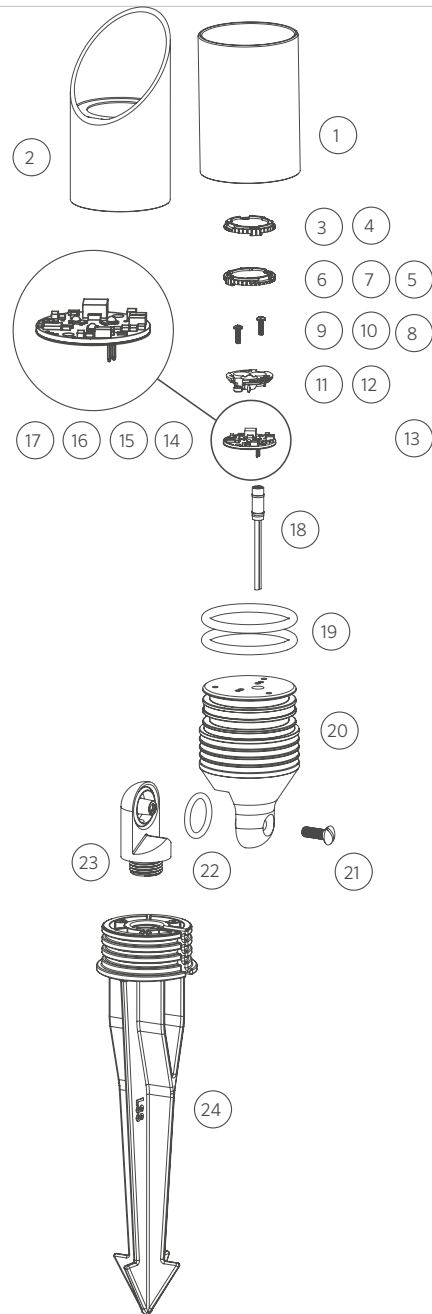
| ITEM | DESCRIPTION | CATALOG # |
|-------|--|---------------|
| 1 | Lens Cap Assembly (Straight, Clear) | VSLCXX*† |
| 2 | Lens Cap Assembly (Long Shroud, Clear) | VSLCLSXX*† |
| 3-5 | Beam Angle Lens | See LED Chart |
| 6-8 | Color Filter | See LED Chart |
| 9-10 | Screw, 4-40 | See LED Chart |
| 11-13 | Reflector | See LED Chart |
| 14-17 | LED Board | See LED Chart |
| 18 | Socket, 3-meter | 752601 |
| 19 | O-Ring | 250010280020 |
| 20 | Housing | - |
| 21 | Screw, 1/4-20 x 3/4 | 250010630000 |
| 22 | O-Ring | 250010280005 |
| 23 | Knuckle, Brass | 250010610000 |
| 24 | Large Slot Spike (LSS) | 250015840000 |

* XX = finish code

† Replace "C" with "F" for frosted lens options

VS LED COMPONENTS

| ITEM | DESCRIPTION | CATALOG # |
|------|------------------------------------|------------|
| 3 | 1 LED Spot Lens (18°) | 770600 |
| 3 | 1 LED Flood Lens (30°-32°) | 1LEDFLENS |
| 3 | 1 LED Wide Flood Lens (56°-58°) | 1LEDWFLENS |
| 4 | 3 LED Spot Lens (18°) | 771300 |
| 4 | 3 LED Flood Lens (30°-32°) | 3LEDFLENS |
| 4 | 3 LED Wide Flood Lens (56°-58°) | 3LEDWFLENS |
| 5 | 6/9 LED Spot Lens (18°) | 771600 |
| 5 | 6/9 LED Flood Lens (30°-32°) | 9LEDFLENS |
| 5 | 6/9 LED Wide Flood Lens (56°-58°) | 9LEDWFLENS |
| 6 | 1 LED Color Filter, Amber | 770100 |
| 6 | 1 LED Color Filter, Blue | 770101 |
| 6 | 1 LED Color Filter, Green | 770102 |
| 7 | 3 LED Color Filter, Amber | 770800 |
| 7 | 3 LED Color Filter, Blue | 770801 |
| 7 | 3 LED Color Filter, Green | 770802 |
| 8 | 6/9 LED Color Filter, Amber | 771500 |
| 8 | 6/9 LED Color Filter, Blue | 771501 |
| 8 | 6/9 LED Color Filter, Green | 771502 |
| 9 | 1/3 LED Screw, 4-40 x 3/8 (Qty: 2) | 762400 |



| ITEM | DESCRIPTION | CATALOG # |
|------|-------------------------------------|--------------|
| 10 | 6/9 LED Screw, 4-40 x 7/16 (Qty: 3) | 250014550000 |
| 11 | 1 LED Reflector | 770000 |
| 12 | 3 LED Reflector | 770700 |
| 13 | 6/9 LED Reflector | 771400 |
| 13 | ZDC LED Reflector | 250020690000 |
| 14 | 1 LED Board | 1LEDULKIT† |
| 15 | 3 LED Board | 3LEDULKIT* |
| 16 | 6 LED Board | 6LEDULKIT† |
| 17 | 9 LED Board | 9LEDULKIT† |
| 17 | ZDC LED Board | ZDCKITL** |

† ZD = zoneable and dimmable (add ZD to front of part number)

** ZDC kit includes LED board, reflector (#13), screws (#10), and flood lens (9LEDFLENS)

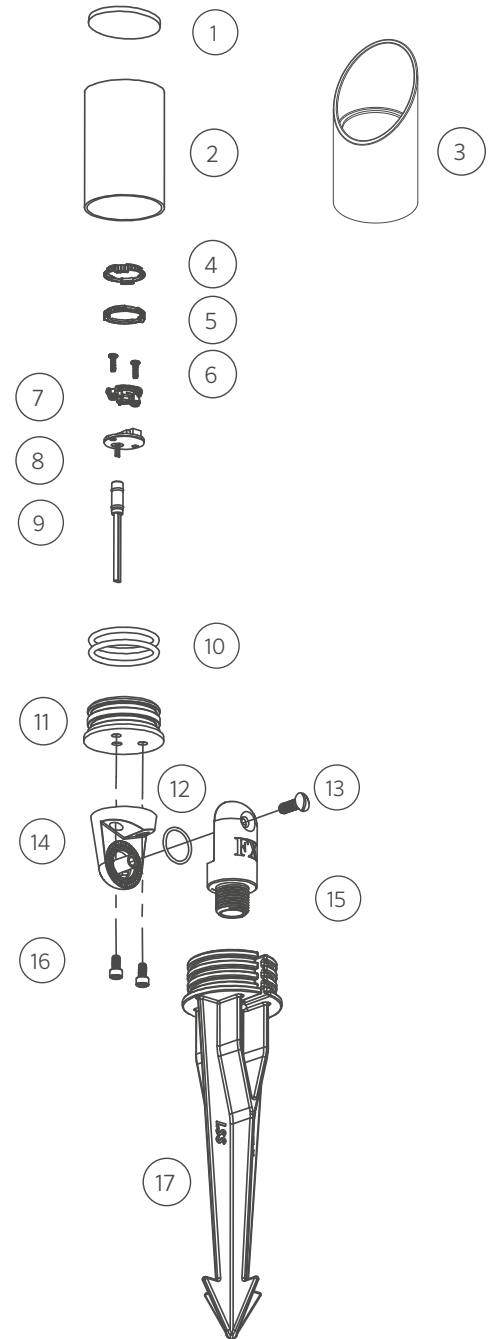
FR LED

| ITEM | DESCRIPTION | CATALOG # |
|------|---|---------------|
| 1 | Lens, Clear, 0.130" Thick x 1.800" Diameter | - |
| 1-2 | Shroud Assembly, Straight | FRLCXX |
| 1, 3 | Shroud Assembly, Long Shroud | FRLCLSXX |
| 4 | Beam Angle Lens | See LED Chart |
| 5 | Color Filter | See LED Chart |
| 6 | Screw, PNH, 4-40 x 3/8 LG, Mach, Phillips, SST | See LED Chart |
| 7 | Reflector | See LED Chart |
| 8 | LED Board | See LED Chart |
| 9 | Socket, 3-meter | 752601 |
| 10 | O-Ring | 250010280017 |
| 11 | Body, FR | - |
| 12 | O-Ring | 250010280002 |
| 13 | Screw, OVHD, 1/4-20 x 3/4 LG, Mach, SLTD, Brass | 250010630000 |
| 14 | Base, Knuckle, Brass | - |
| 15 | Fitting, Knuckle, Brass | KFM050XX |
| 16 | Screw, SCH, 10-24 x 3/8 LG, SST | 250013940000 |
| 17 | Large Slot Spike (LSS) | 250015840000 |

† Replace "C" with "F" for frosted lens option
 * XX = powder coat color code

FR LED COMPONENTS

| ITEM | DESCRIPTION | CATALOG # |
|------|--|------------|
| 4 | 1 LED Spot Lens (18°) | 770600 |
| 4 | 1 LED Flood Lens (30°-32°) | 1LEDFLENS |
| 4 | 1 LED Wide Flood Lens (56°-58°) | 1LEDWFLENS |
| 4 | 3 LED Spot Lens (18°) | 771300 |
| 4 | 3 LED Flood Lens (30°-32°) | 3LEDFLENS |
| 4 | 3 LED Wide Flood Lens (56°-58°) | 3LEDWFLENS |
| 5 | 1 LED Color Filter, Amber | 770100 |
| 5 | 1 LED Color Filter, Blue | 770101 |
| 5 | 1 LED Color Filter, Green | 770102 |
| 5 | 3 LED Color Filter, Amber | 770800 |
| 5 | 3 LED Color Filter, Blue | 770801 |
| 5 | 3 LED Color Filter, Green | 770802 |
| 6 | 1/3 LED Screw, 4-40 x 3/8 (Qty Req: 2) | 762400 |
| 7 | 1 LED Reflector | 770000 |



| ITEM | DESCRIPTION | CATALOG # |
|------|-----------------|--------------|
| 7 | 3 LED Reflector | 770700 |
| 7 | ZDC Reflector | 250022050000 |
| 8 | 1 LED Board | 1LEDULKIT† |
| 8 | 3 LED Board | 3LEDULKIT† |
| 8 | ZDC LED Board | ZDCKITM** |

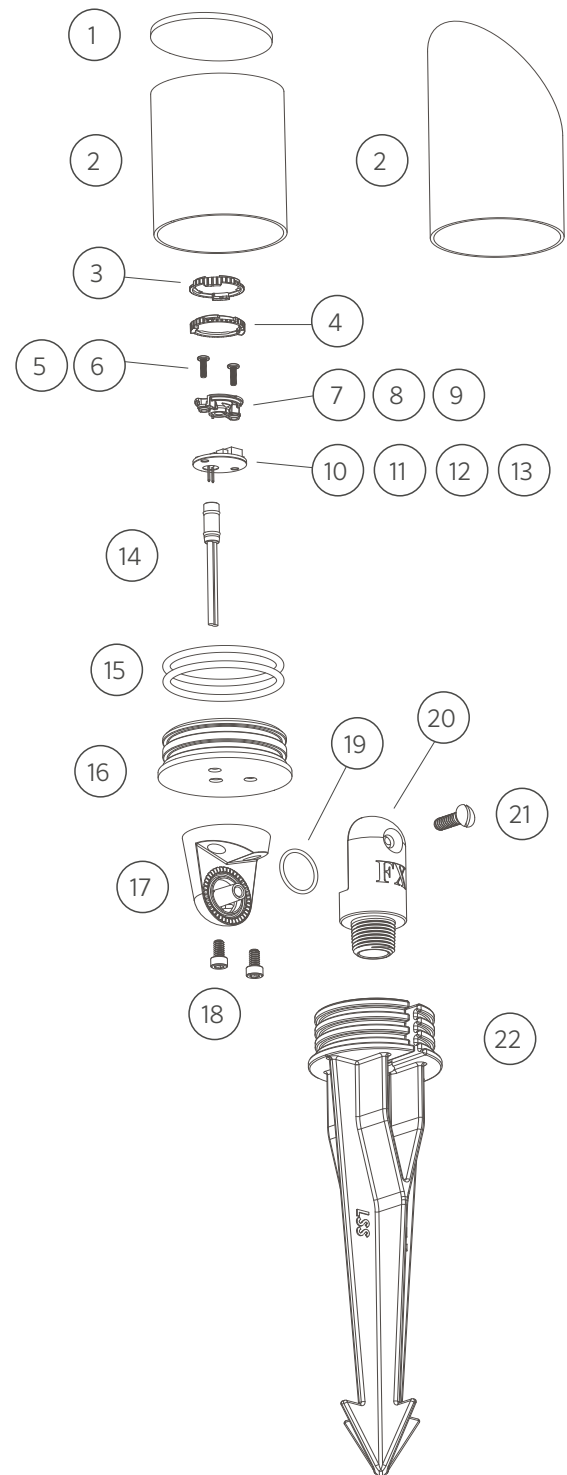
† ZD = zoneable and dimmable (add ZD to front of part number)
 ** ZDC kit includes LED board, reflector (#9), screws (#7), and flood lens diffuser (3LEDWFLENS)

NR LED

| ITEM | DESCRIPTION | CATALOG # |
|---------|-------------------------------------|---------------|
| 1 | Lens | - |
| 2 | Shroud, Straight or Angled (Long) | - |
| 3 | Beam Angle Lens | See LED Chart |
| 4 | Color Filter | See LED Chart |
| 5-6 | Screw, 4-40 | See LED Chart |
| 7-9 | Reflector | See LED Chart |
| 10-13 | LED Board | See LED Chart |
| 14 | Socket, 3-meter | 752601 |
| 15 | O-Ring, Silicone, Orange | 250010280025 |
| 16 | Body, NR | - |
| 17 | Base, Knuckle, Brass | - |
| 18 | Screw, SCH, 10-24 x 3/8 | 250013940000 |
| 19 | O-Ring, Silicone, Orange | 250010280002 |
| 20 | Fitting, Knuckle, Brass | KFM050XX |
| 21 | Screw, 1/4-20 x 3/4 | 250010630000 |
| 22 | Large Slot Spike (LSS) | 250015840000 |
| 1-2, 15 | Lens Cap Assembly (Straight, Clear) | NRLCXX*† |
| 1-2, 15 | Lens Cap Assembly (Angled, Clear) | NRLCLSXX*† |

*XX = finish code

† Replace "C" with "F" for frosted lens options



NR LED COMPONENTS

| ITEM | DESCRIPTION | CATALOG # |
|------|-------------------------------------|---------------------------|
| 3 | 1 LED Spot Lens (18°) | 770600 |
| 3 | 1 LED Flood Lens (30°-32°) | 1LEDFLENS |
| 3 | 1 LED Wide Flood Lens (56°-58°) | 1LEDWFLENS |
| 3 | 3 LED Spot Lens (18°) | 771300 |
| 3 | 3 LED Flood Lens (30°-32°) | 3LEDFLENS |
| 3 | 3 LED Wide Flood Lens (56°-58°) | 3LEDWFLENS |
| 3 | 6/9 LED Spot Lens (18°) | 771600 |
| 3 | 9 LED Flood Lens (30°-32°) | 9LEDFLENS |
| 3 | 9 LED Wide Flood Lens (56°-58°) | 9LEDWFLENS |
| 4 | 1 LED Color Filter, Amber | 770100 |
| 4 | 1 LED Color Filter, Blue | 770101 |
| 4 | 1 LED Color Filter, Green | 770102 |
| 4 | 3 LED Color Filter, Amber | 770800 |
| 4 | 3 LED Color Filter, Blue | 770801 |
| 4 | 3 LED Color Filter, Green | 770802 |
| 4 | 6/9 LED Color Filter, Amber | 771500 |
| 4 | 6/9 LED Color Filter, Blue | 771501 |
| 4 | 6/9 LED Color Filter, Green | 771502 |
| 5 | 1/3 LED Screw, 4-40 x 3/8 (Qty: 2) | 762400 |
| 6 | 6/9 LED Screw, 4-40 x 7/16 (Qty: 3) | 250014550000 |
| 7 | 1 LED Reflector | 770000 |
| 8 | 3 LED Reflector | 770700 |
| 9 | 6/9 LED Reflector | 771400 |
| 9 | ZDC LED Reflector | 250020690000 |
| 10 | 1 LED Board | 1LEDULKIT [†] |
| 11 | 3 LED Board | 3LEDULKIT* / ZDC3LEDKIT** |
| 12 | 6 LED Board | 6LEDULKIT [†] |
| 13 | 9 LED Board | 9LEDULKIT [†] |
| 13 | ZDC LED Board | ZDCKITL** |

[†] ZD = zoneable and dimmable (add ZD to front of part number)

**ZDC kit includes LED board, reflector (#9), screws (#6), and flood lens diffuser (9LEDFLENS)

PB

| ITEM | DESCRIPTION | CATALOG # |
|------|---------------------|---------------|
| 1 | Lens Cap | PBLCXX* |
| 2 | O-Rings | 250025950000 |
| 3 | Color Filter | See LED Chart |
| 4 | Screw, 4-40 x 3/8 | 762400 |
| 5-6 | Reflector | See LED Chart |
| 7-8 | LED Board | See LED Chart |
| 9 | Socket, 3-meter | 752601 |
| 10 | Housing | - |
| 11 | Screw, 10-24 x 3/8 | 250013940000 |
| 12 | O-Ring | 250010280002 |
| 13 | Knuckle Subassembly | KFM050XX* |
| 14 | Screw, 1/4-20 x 3/4 | 250010290000 |
| 15 | Super Slot Spike | 753900 |
| | Hex Key, 5/32 | 250016040000 |

* XX = powder coat color code

UP LIGHTS

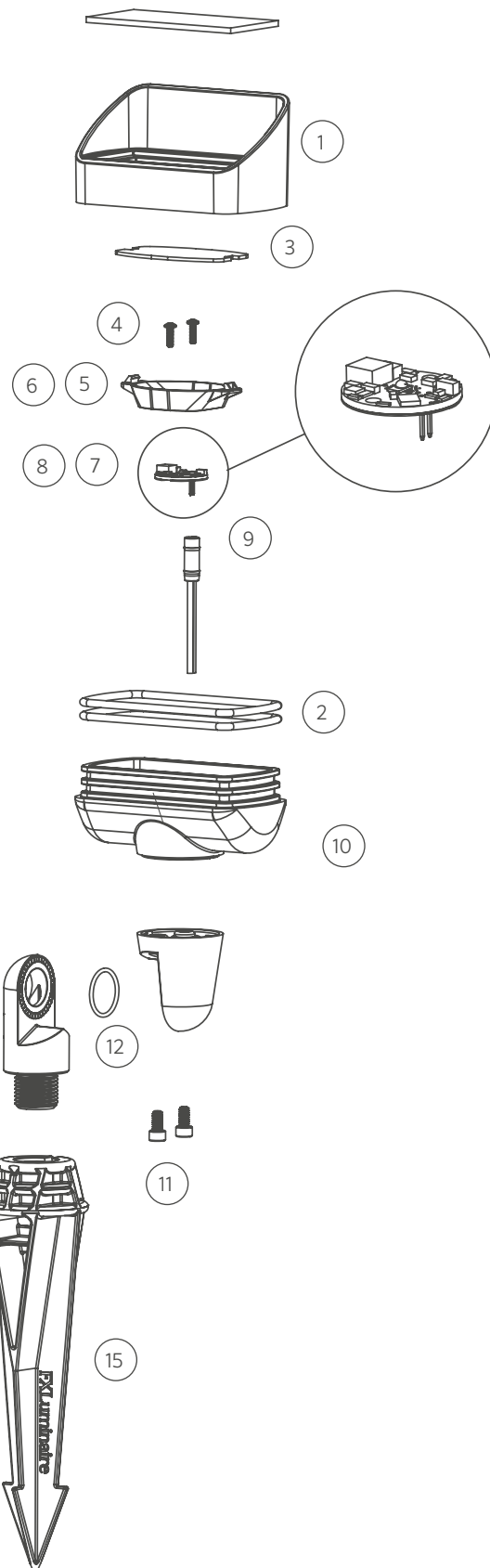
PB LED COMPONENTS

| ITEM | DESCRIPTION | CATALOG # |
|------|-------------------------|---------------------------|
| 3 | Color Filter, Amber, PB | 763200 |
| 3 | Color Filter, Blue, PB | 763201 |
| 3 | Color Filter, Green, PB | 763202 |
| 5 | 1 LED Reflector, PB | 763000 |
| 6 | 3 LED Reflector, PB | 763100 |
| | ZDC Reflector | 250022050000 |
| 7 | 1 LED Board | 1LEDULKIT [†] ** |
| 8 | 3 LED Board | 3LEDULKIT [†] ** |
| | ZDC LED Board | ZDCKITM [†] |

[†] ZD = zoneable and dimmable (add ZD to front of part number)

** Kits do not include PB/LC reflectors and colored filters; must order separately

[†] ZDC kit includes LED board, reflector, screws, and flood lens (3LEDFLENS)



LC LED

| ITEM | DESCRIPTION | CATALOG # |
|------|---------------------|---------------|
| 1 | Lens Cap | LCLCXX* |
| 2-3 | Color Filter | See LED Chart |
| 4 | Screw | See LED Chart |
| 5-7 | Reflector | See LED Chart |
| 8-11 | LED Board | See LED Chart |
| 12 | Socket, 3-meter | 752601 |
| 13 | O-Ring | 250010280031 |
| 14 | Body | - |
| 15 | Base | - |
| 16 | O-Ring | 250010280002 |
| 17 | Screw, 1/4-20 x 3/4 | 250010290000 |
| 18 | Subassembly | KFM050XX* |
| 19 | Screw, 10-24 x 3/8 | 250013940000 |
| 20 | Large Slot Spike | 250015840000 |

*XX = powder coat color code

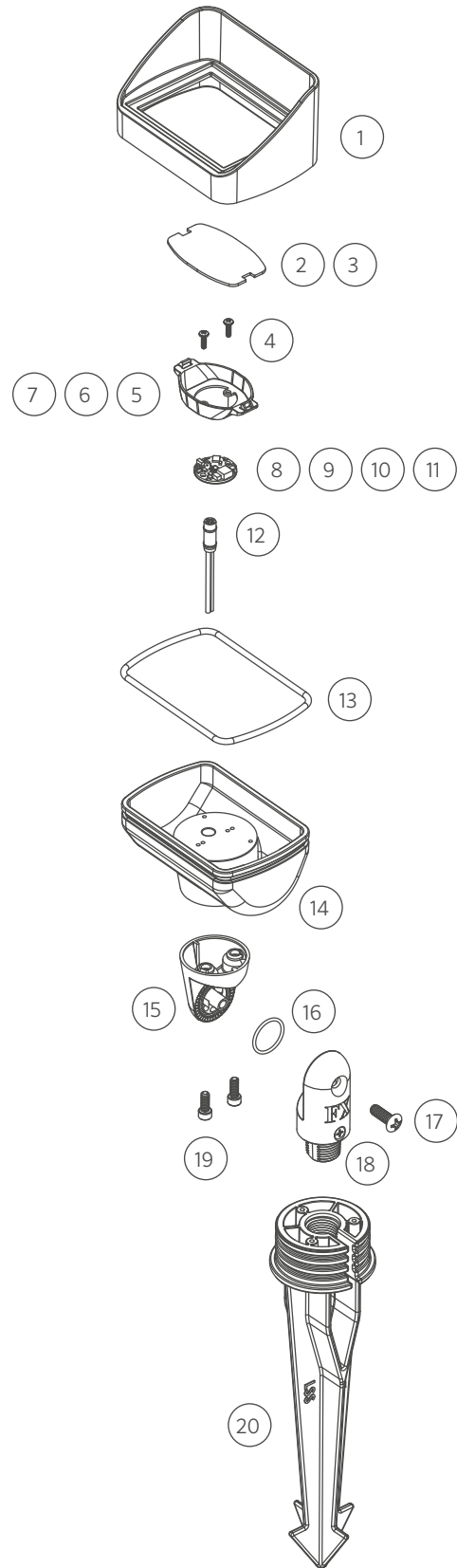
LC LED COMPONENTS

| ITEM | DESCRIPTION | CATALOG # |
|------|-------------------------------------|---------------------------|
| 2 | 1/3 LED Color Filter, Amber | 763200 |
| 2 | 1/3 LED Color Filter, Blue | 763201 |
| 2 | 1/3 LED Color Filter, Green | 763202 |
| 3 | 6/9 LED Color Filter, Amber | 250016560000 |
| 3 | 6/9 LED Color Filter, Blue | 250016560001 |
| 3 | 6/9 LED Color Filter, Green | 250016560002 |
| 4 | 1/3 LED Screw, 4-40 x 3/8 (Qty: 2) | 762400 |
| 4 | 6/9 LED Screw, 4-40 x 7/16 (Qty: 3) | 250014550000 |
| 5 | 1 LED Reflector | 763000 |
| 6 | 3 LED Reflector | 763100 |
| 6 | ZDC LED Reflector | 250020690000 |
| 7 | 6/9LED Reflector | 250016450000 |
| 8 | 1 LED Board | 1LEDULKIT [‡] ** |
| 9 | 3 LED Board | 3LEDULKIT [‡] ** |
| 10 | 6 LED Board | 6LEDULKIT [‡] ** |
| 11 | 9 LED Board | 9LEDULKIT [‡] ** |
| 11 | ZDC LED Board | ZDCKITL [†] |

[‡] ZD = zoneable and dimmable (add ZD to front of part number)

** Kits do not include PB/LC reflectors and colored filters; must order separately

[†] ZDC kit includes LED board, ZDC reflector, screws, and flood lens (9LEDFLLENS)



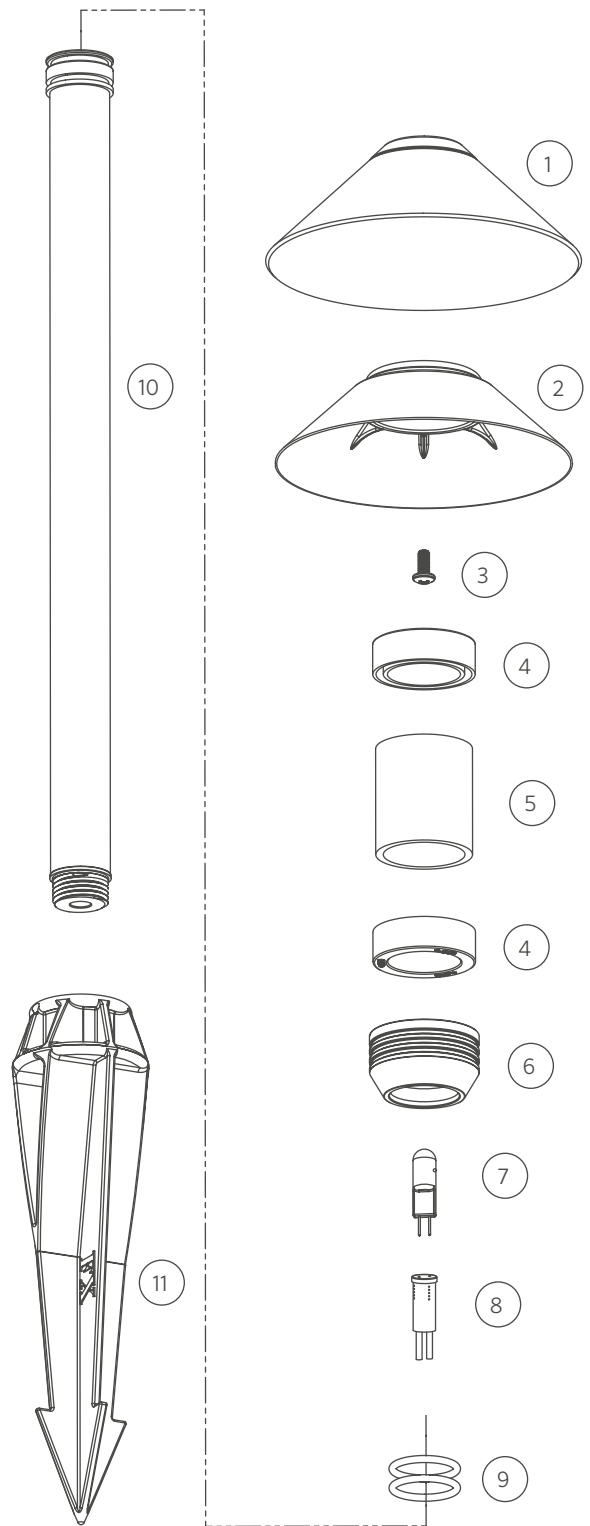
PATH LIGHTS

BD

| ITEM | DESCRIPTION | CATALOG # |
|------|-----------------------------------|------------------------|
| 1 | Copper Top and Brass Cap | - |
| 2 | Reflector | 250012180000 |
| 3 | Screw, 8-32 x 3/8 | 250011950000 |
| 4 | Seal | 250012140000 |
| 5 | Lens | 250012120000 |
| 6 | Reducer | 250012090000 |
| 7 | Lamp, G4 Bi-Pin | See Lamp Chart, p. 124 |
| 8 | Socket, G4 | 754601 |
| 9 | O-Ring | 250010280004 |
| 10 | Riser Sub Assembly, 3/4" Diameter | YYRA075XX* |
| 11 | Super Slot Spike | 753900 |
| 1-6 | Top Assembly | BDTAXX [§] |
| 2-6 | Lens Assembly | BDEASCLA |

* YY = riser height in inches, XX = finish code

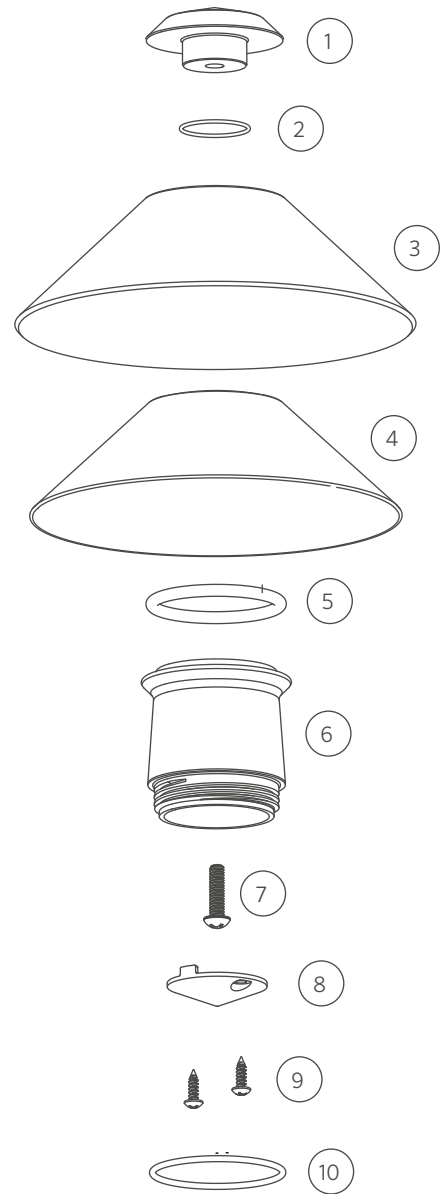
[§] Not interchangeable with BD LED Top Assembly



BD LED TOP ASSEMBLY

| ITEM | DESCRIPTION | CATALOG # |
|------|-------------------|---------------|
| 1 | Cap, Brass | 2500121500XX* |
| 2 | O-Ring | 250010280001 |
| 3 | Top, Copper | - |
| 4 | Reflector, White | 250015830000 |
| 5 | O-Ring | 250010280010 |
| 6 | Lens | 753100 |
| 7 | Screw, 8-32 x 5/8 | 250012390000 |
| 8 | Reflector, Chrome | - |
| 9 | Screw, #4 x 3/8 | - |
| 10 | O-Ring | 250010280033 |
| 8-9 | Petite Cone Kit | PCONEKIT |

*XX = finish code

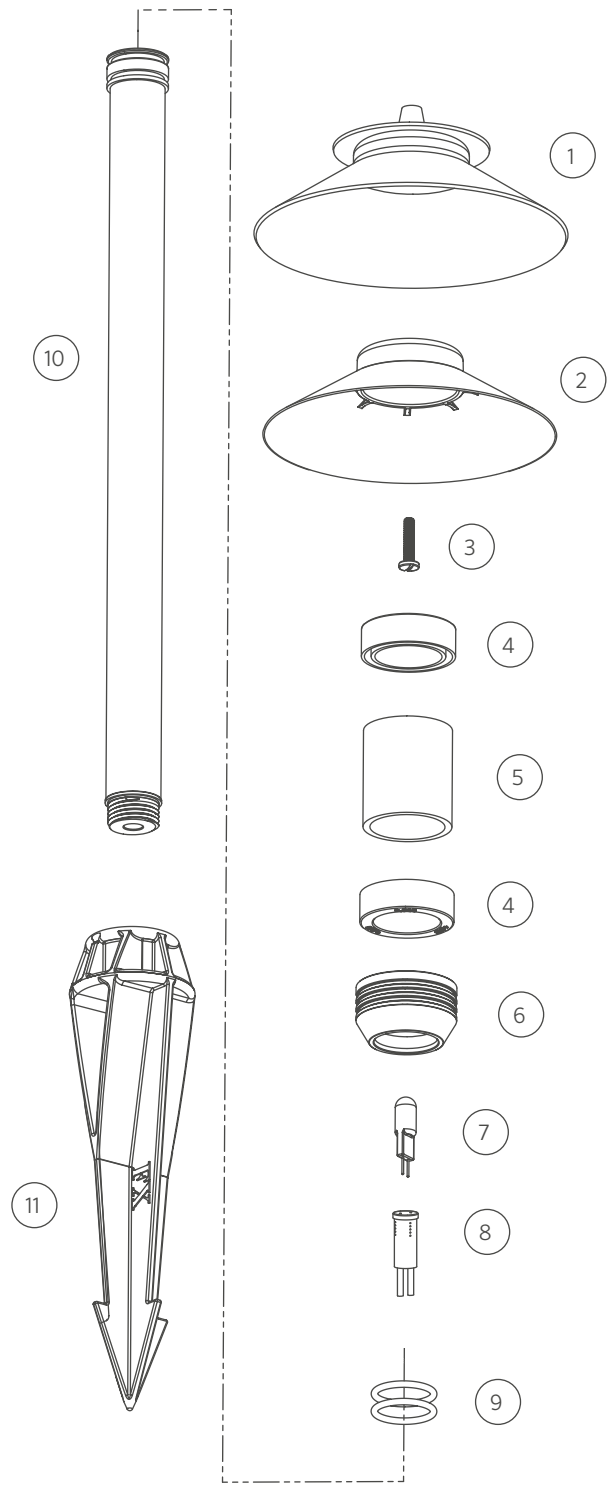


PF

| ITEM | DESCRIPTION | CATALOG # |
|------|-------------------------------------|------------------------|
| 1 | Copper Top, Copper Shade, Brass Cap | |
| 2 | Reflector | 250012330000 |
| 3 | Screw | 250012320000 |
| 4 | Seal, Silicone | 250012140000 |
| 5 | Lens | 250012120000 |
| 6 | Reducer | 250012090000 |
| 7 | Lamp, G4 Bi-Pin | See Lamp Chart, p. 124 |
| 8 | O-Ring | 250010280004 |
| 9 | Socket, G4 | 754601 |
| 10 | Riser Sub Assembly | YYRA075XX* |
| 11 | Super Slot Spike | 753900 |
| 1-6 | Top Assembly | PFTAXX* [§] |
| 2-6 | Lens Assembly | PFLA |

* YY = riser height in inches, XX = finish code

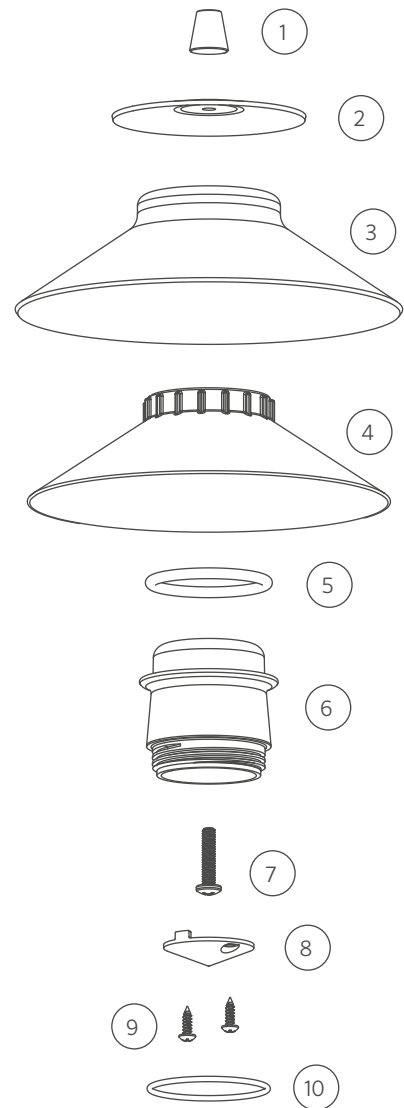
[§] Not interchangeable with PF LED Top Assembly



PF LED TOP ASSEMBLY

| ITEM | DESCRIPTION | CATALOG # |
|------|-------------------|---------------|
| 1 | Cap, Brass | 2500123000XX* |
| 2 | Shade | - |
| 3 | Top, Copper | - |
| 4 | Reflector, White | 250015820000 |
| 5 | O-Ring | 250010280010 |
| 6 | Lens | 753200 |
| 7 | Screw, 8-32 x 3/4 | 250018780000 |
| 8 | Reflector, Chrome | - |
| 9 | Screw, #4 x 3/8 | - |
| 10 | O-Ring | 250010280033 |
| 8-9 | Petite Cone Kit | PCONEKIT |

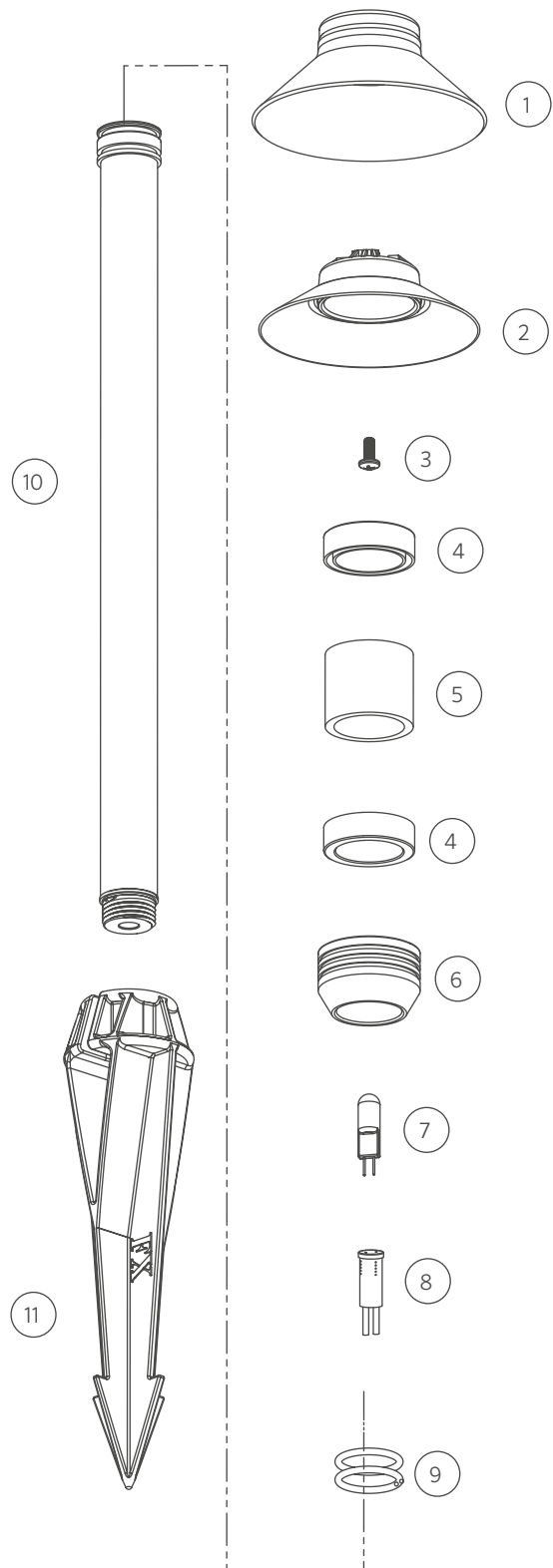
*XX = finish code



SP

| ITEM | DESCRIPTION | CATALOG # |
|------|--------------------------|------------------------|
| 1 | Copper Top and Brass Cap | - |
| 2 | Reflector | 250016020000 |
| 3 | Screw, 8-32 x 3/8 | 250011950000 |
| 4 | Seal | 250011980000 |
| 5 | Glass Lens | 250011960000 |
| 6 | Reducer | 250011820000 |
| 7 | Lamp, G4 Bi-Pin | See Lamp Chart, p. 124 |
| 8 | Socket, G4 | 754601 |
| 9 | O-Ring | 250010280004 |
| 10 | Riser Assembly | YYRA075XX* |
| 11 | Super Slot Spike | 753900 |
| 1-6 | Top Assembly | SPTAXX* |
| 2-6 | Lens Assembly | SPLA |

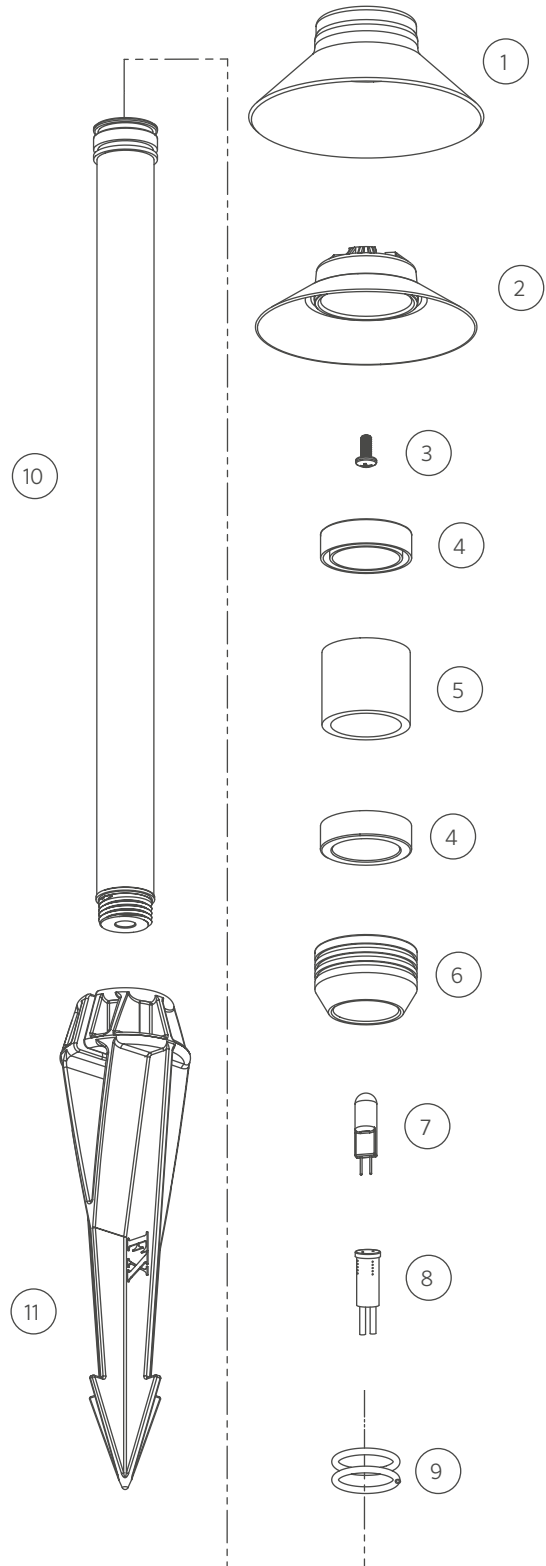
* YY = riser height in inches, XX = finish code



SP-A

| ITEM | DESCRIPTION | CATALOG # |
|------|---|--------------|
| 1-6 | Top, AL, SP | SPA-TA-XX |
| 2-6 | Lens Assembly | SPLA |
| 2 | Reflector, SP | 250016020000 |
| 3 | Screw, PNH, 8-32 x 0.38 LG, Mach, Phillips, SST | 250011950000 |
| 4 | Seal, Silicone, 1.398 Dia x 0.400 H | 250011980000 |
| 5 | Lens, Glass, 1.335 Dia x 1.181 H | 250011960000 |
| 6 | Reducer, Al, Petite, INC | |
| 7 | Lamp, LED, G4, 2700K, 20W, 12V | G4LED20W |
| 8 | Overmolded Connector | 754601 |
| 9 | O-Ring, Silicone, Orange, -115 | 250010280004 |
| 10 | Riser Subassembly, 3/4" Diameter NOM, INC, AL | 12R-SP-AL |
| 11 | Super Slot Spike | 753900 |

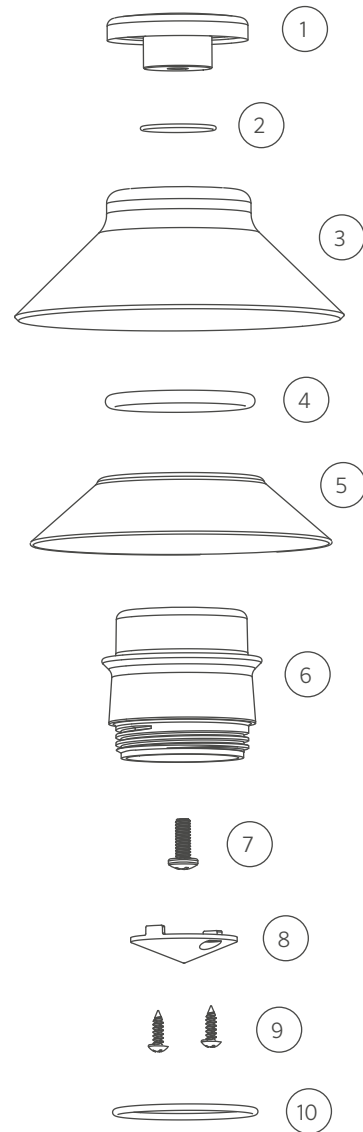
* YY = riser height in inches, XX = finish code



HC LED TOP ASSEMBLY

| ITEM | DESCRIPTION | CATALOG # |
|------|--------------------|---------------|
| 1 | Cap, Brass | 2500118000XX* |
| 2 | O-Ring | 250010280001 |
| 3 | Top, Copper | - |
| 4 | O-Ring | 250010280010 |
| 5 | Reflector, White | 756200 |
| 6 | Lens | 753000 |
| 7 | Screw, 8-32 x 7/16 | 750103 |
| 8 | Reflector, Chrome | - |
| 9 | Screw, #4 x 3/8 | - |
| 10 | O-Ring | 250010280033 |
| 8-9 | Petite Cone Kit | PCONEKIT |

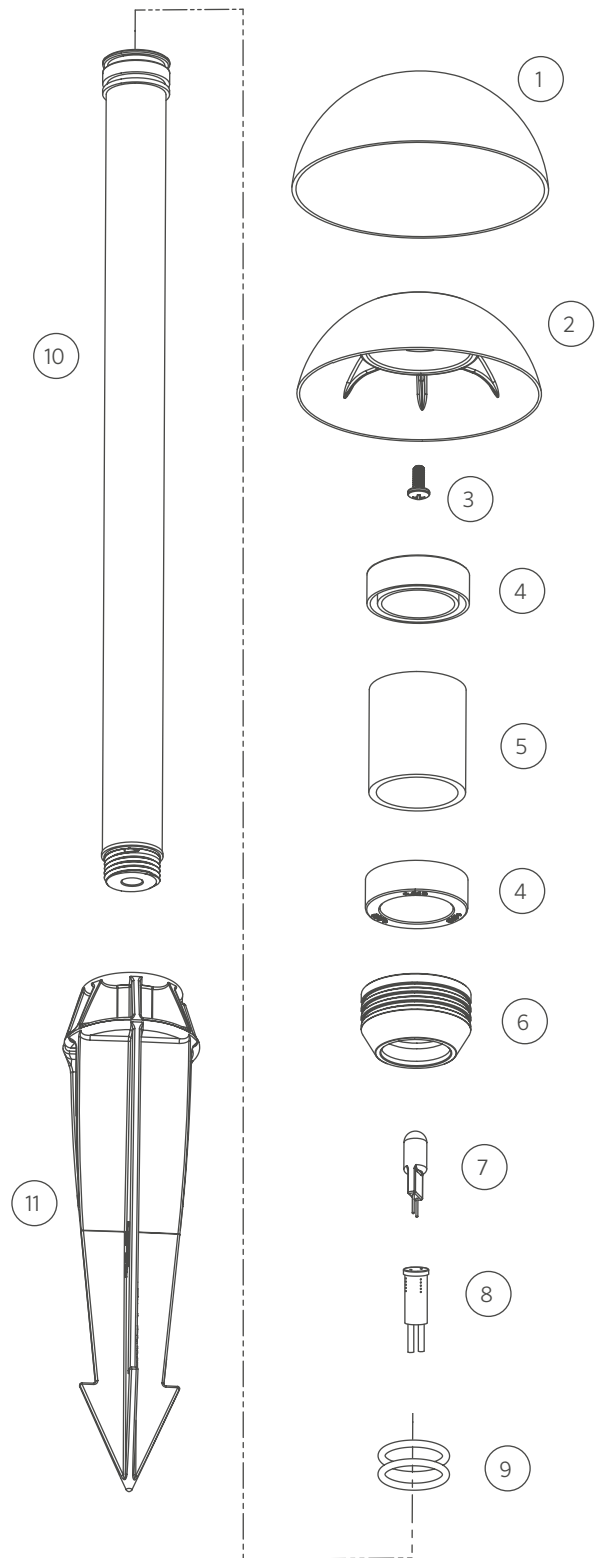
*XX = finish code



PR

| ITEM | DESCRIPTION | CATALOG # |
|------|--------------------------|------------------------|
| 1 | Copper Top and Brass Cap | - |
| 2 | Reflector | 250012330000 |
| 3 | Screw, 8-32 x 3/8 | 250011950000 |
| 4 | Seal | 250012140000 |
| 5 | Lens | 250012120000 |
| 6 | Reducer | 250012090000 |
| 7 | Lamp | See Lamp Chart, p. 124 |
| 8 | O-Ring | 250010280004 |
| 9 | Socket, G4 | 754601 |
| 10 | Riser Sub Assembly | YYRA075XX* |
| 11 | Super Slot Spike | 753900 |
| 1-6 | Top Assembly | PRTAXX ⁵ |
| 2-6 | Lens Assembly | PRLA |

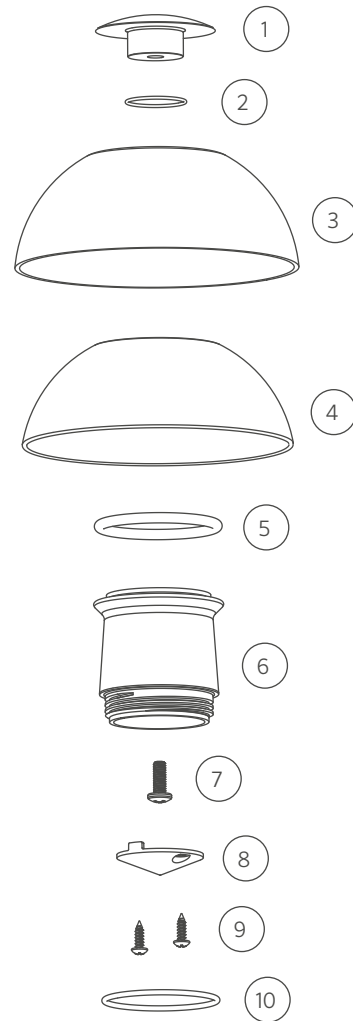
* YY = riser height in inches, XX = finish code
⁵ Not interchangeable with PR LED Top Assembly



PR LED TOP ASSEMBLY

| ITEM | DESCRIPTION | CATALOG # |
|------|--------------------|---------------|
| 1 | Cap, Brass | 2500118900XX* |
| 2 | O-Ring | 250010280001 |
| 3 | Top, Copper | - |
| 4 | Reflector, White | 250015810000 |
| 5 | O-Ring | 250010280010 |
| 6 | Lens | 753100 |
| 7 | Screw, 8-32 x 7/16 | 750103 |
| 8 | Reflector, Chrome | - |
| 9 | Screw, #4 x 3/8 | - |
| 10 | O-Ring | 250010280033 |
| 8-9 | Petite Cone Kit | PCONEKIT |

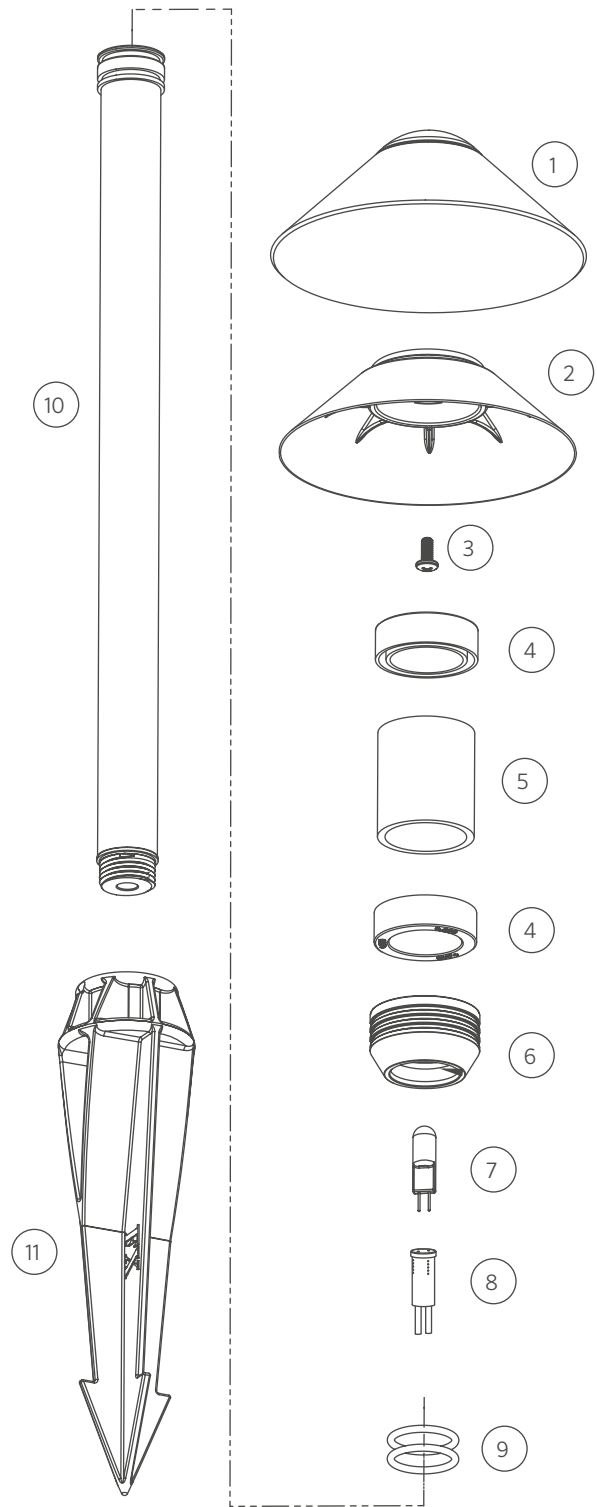
*XX = finish code



SC

| ITEM | DESCRIPTION | CATALOG # |
|------|--------------------------|------------------------|
| 1 | Copper Top and Brass Cap | - |
| 2 | Reflector | 250012180000 |
| 3 | Screw, 8-32 x 3/8 | 250011950000 |
| 4 | Seal | 250012140000 |
| 5 | Lens | 250012120000 |
| 6 | Reducer | 250012090000 |
| 7 | Lamp | See Lamp Chart, p. 124 |
| 8 | Socket, G4 | 754601 |
| 9 | O-Ring | 250010280004 |
| 10 | Riser Sub Assembly | YYRA075XX* |
| 11 | Super Slot Spike | 753900 |
| 1-6 | Top Assembly | SCTAXX* ⁵ |
| 2-6 | Lens Assembly | BDEASCLA |

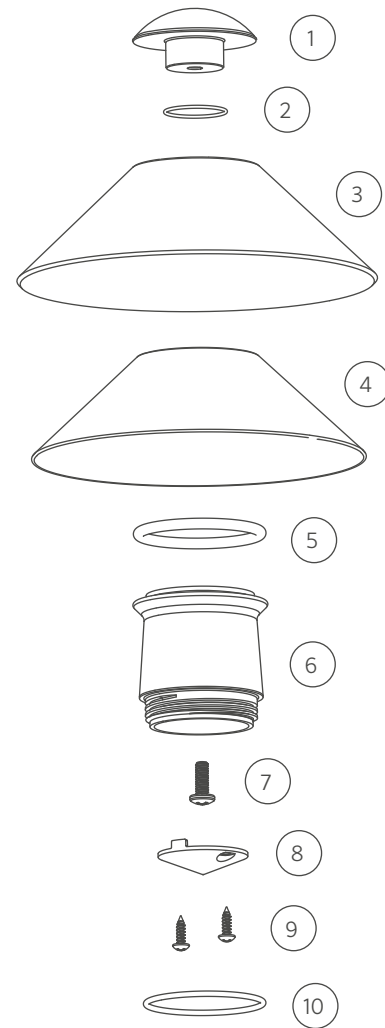
* YY = riser height in inches, XX = finish code
⁵ Not interchangeable with SC LED Top Assembly



SC LED TOP ASSEMBLY

| ITEM | DESCRIPTION | CATALOG # |
|------|--------------------|---------------|
| 1 | Cap, Brass | 2500118400XX* |
| 2 | O-Ring | 250010280001 |
| 3 | Top, Copper | - |
| 4 | Reflector, White | 250015830000 |
| 5 | O-Ring | 250010280010 |
| 6 | Lens | 753100 |
| 7 | Screw, 8-32 x 7/16 | 750103 |
| 8 | Reflector, Chrome | - |
| 9 | Screw, #4 x 3/8 | - |
| 10 | O-Ring | 250010280033 |
| 8-9 | Petite Cone Kit | PCONEKIT |

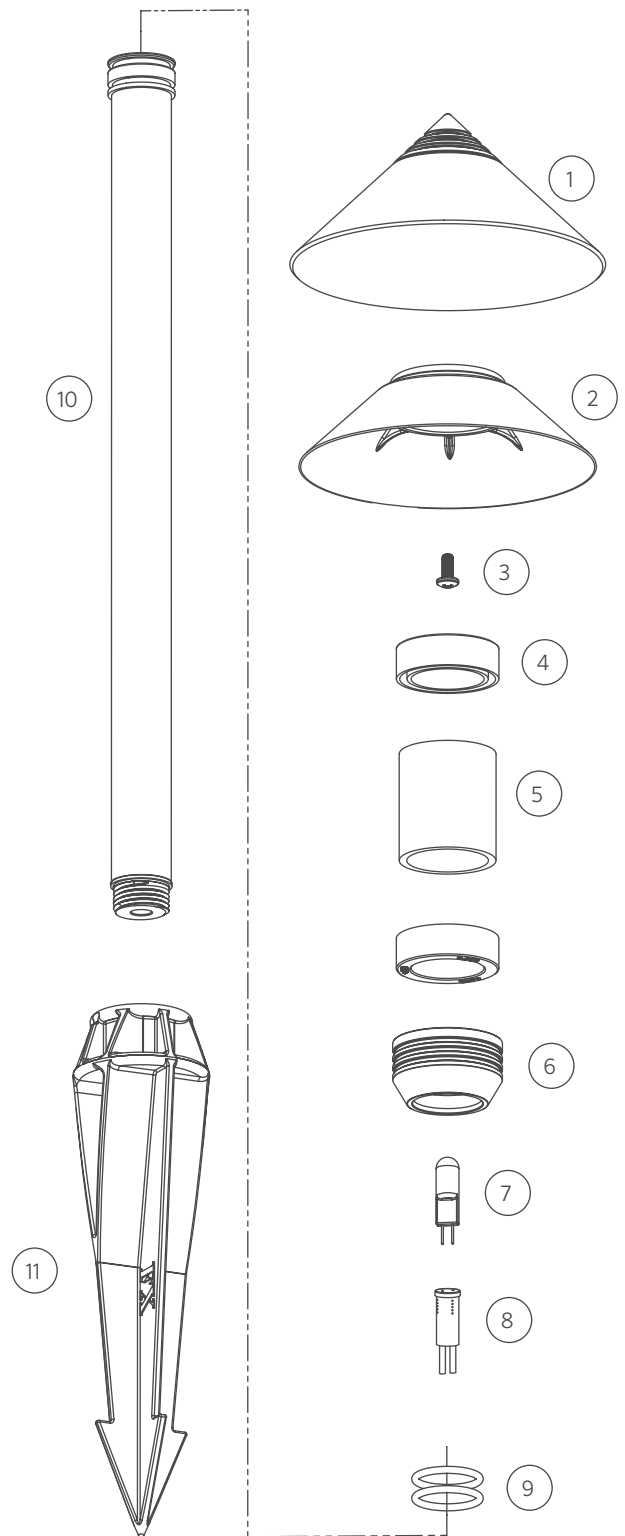
*XX = finish code



EA

| ITEM | DESCRIPTION | CATALOG # |
|------|--------------------------|------------------------|
| 1 | Copper Top and Brass Cap | - |
| 2 | Reflector | 250012180000 |
| 3 | Screw, 8-32 x 3/8 | 250011950000 |
| 4 | Seal | 250012140000 |
| 5 | Lens | 250012120000 |
| 6 | Reducer | 250012090000 |
| 7 | Lamp | See Lamp Chart, p. 124 |
| 8 | Socket, G4 | 754601 |
| 9 | O-Ring | 250010280004 |
| 10 | Riser Sub Assembly | YYRA075XX* |
| 11 | Super Slot Spike | 753900 |
| 1-6 | Top Assembly | EATAXX* [§] |
| 2-6 | Lens Assembly | BDEASCLA |

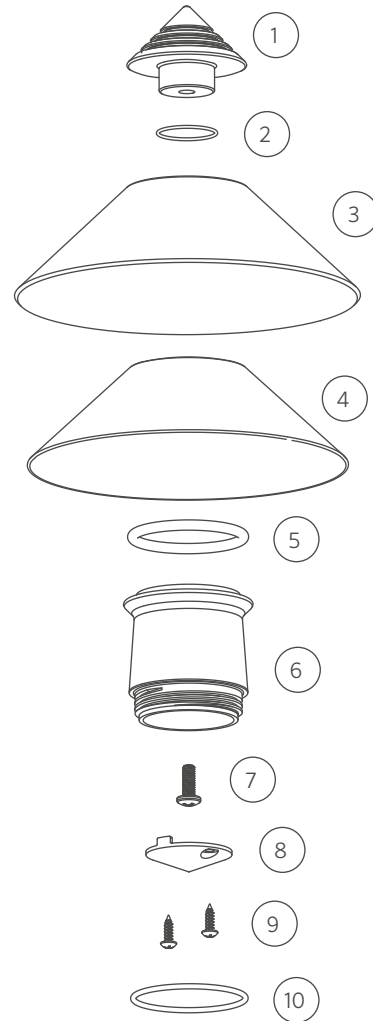
* YY = riser height in inches, XX = finish code
[§] Not interchangeable with EA LED Top Assembly



EA LED TOP ASSEMBLY

| ITEM | DESCRIPTION | CATALOG # |
|------|--------------------|---------------|
| 1 | Cap, Brass | 2500122000XX* |
| 2 | O-Ring | 250010280001 |
| 3 | Top, Copper | - |
| 4 | Reflector, White | 250015830000 |
| 5 | O-Ring | 250010280010 |
| 6 | Lens | 753100 |
| 7 | Screw, 8-32 x 7/16 | 750103 |
| 8 | Reflector, Chrome | - |
| 9 | Screw, #4 x 3/8 | - |
| 10 | O-Ring | 250010280033 |
| 8-9 | Petite Cone Kit | PCONEKIT |

** XX = finish code

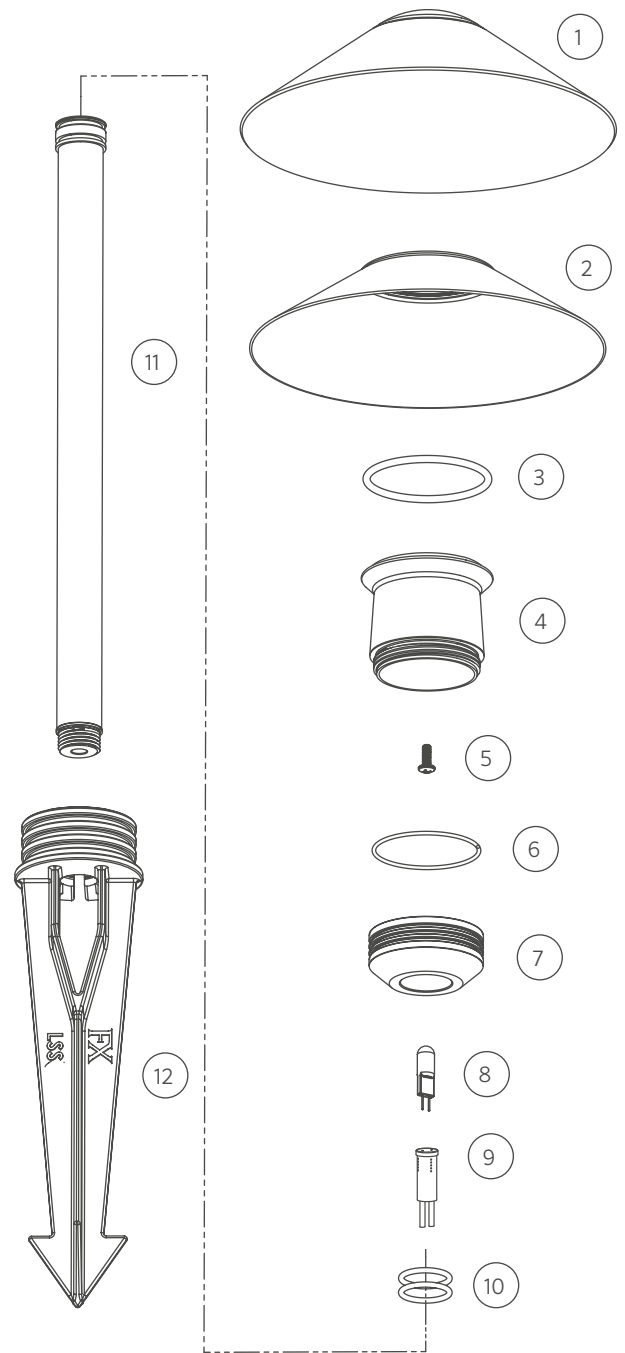


CA

| ITEM | DESCRIPTION | CATALOG # |
|------|--------------------------|------------------------|
| 1 | Copper Top and Brass Cap | - |
| 2 | Reflector, White | 755100 |
| 3 | O-Ring | 250010280012 |
| 4 | Lens | 753401 |
| 5 | Screw, 8-32 x 7/16 | 750103 |
| 6 | O-Ring | 250010280009 |
| 7 | Reducer | 250013300000 |
| 8 | Lamp, G4 Bi-Pin | See Lamp Chart, p. 124 |
| 9 | Socket, G4 | 754601 |
| 10 | O-Ring | 250010280004 |
| 11 | Riser Sub Assembly | YYRA075XX* |
| 12 | Large Slot Spike (LSS) | 250015840000 |
| 1-7 | Top Assembly | CATAXX [§] |
| 2-7 | Lens Assembly | CACBCVQFLA |

* YY = riser height in inches, XX = finish code

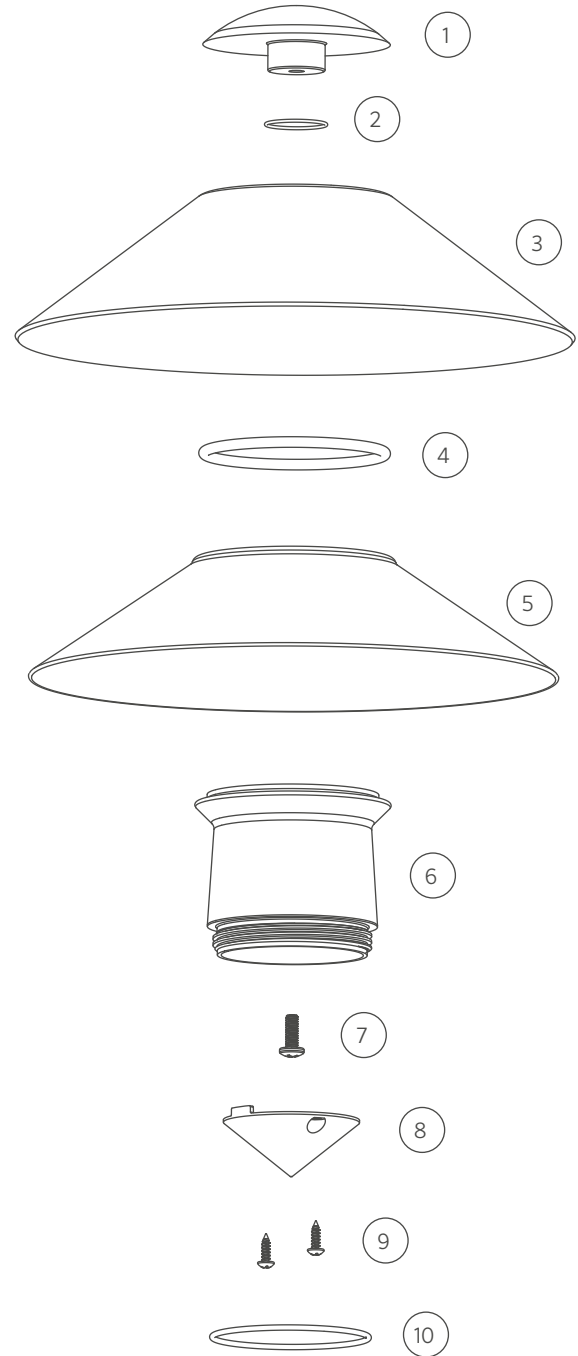
§ Not interchangeable with CA LED Top Assembly



CA LED TOP ASSEMBLY

| ITEM | DESCRIPTION | CATALOG # |
|------|--------------------|---------------|
| 1 | Top, Copper | 2500125500XX* |
| 2 | O-Ring | 250010280001 |
| 3 | Cap, Brass | - |
| 4 | O-Ring | 250010280012 |
| 5 | Reflector, White | 755100 |
| 6 | Lens | 753400 |
| 7 | Screw, 8-32 x 7/16 | 750103 |
| 8 | Reflector, Chrome | - |
| 9 | Screw, #4 x 3/8 | - |
| 10 | O-Ring | 250010280032 |
| 8-9 | Grande Cone Kit | GCONEKIT |

*XX = finish code

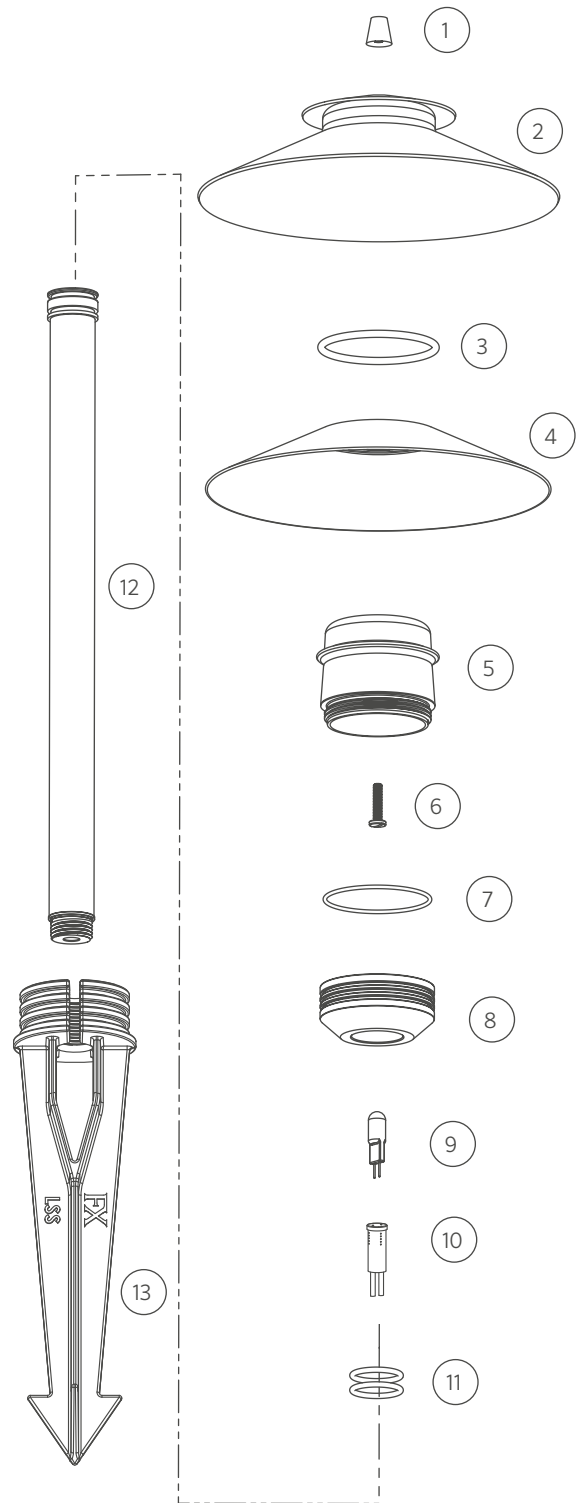


DM

| ITEM | DESCRIPTION | CATALOG # |
|------|-----------------------------|------------------------|
| 1 | Cap Nut, Brass | 2500123000XX* |
| 2 | Copper Top and Copper Shade | - |
| 3 | O-Ring | 250010280011 |
| 4 | Reflector | 754900 |
| 5 | Lens | 753501 |
| 6 | Screw, 8-32 x 3/4 | 250012320000 |
| 7 | O-Ring | 250010280009 |
| 8 | Reducer | 250013300000 |
| 9 | 12V Lamp | See Lamp Chart, p. 124 |
| 10 | Socket, G4 | 754601 |
| 11 | O-Ring | 250010280004 |
| 12 | Riser Assembly | YYRA075XX* |
| 13 | Super Slot Spike | 753900 |
| 2-9 | Top Assembly | DMTAXX [§] |
| 4-9 | Lens Assembly | DMLA |

* YY = riser height in inches, XX = finish code

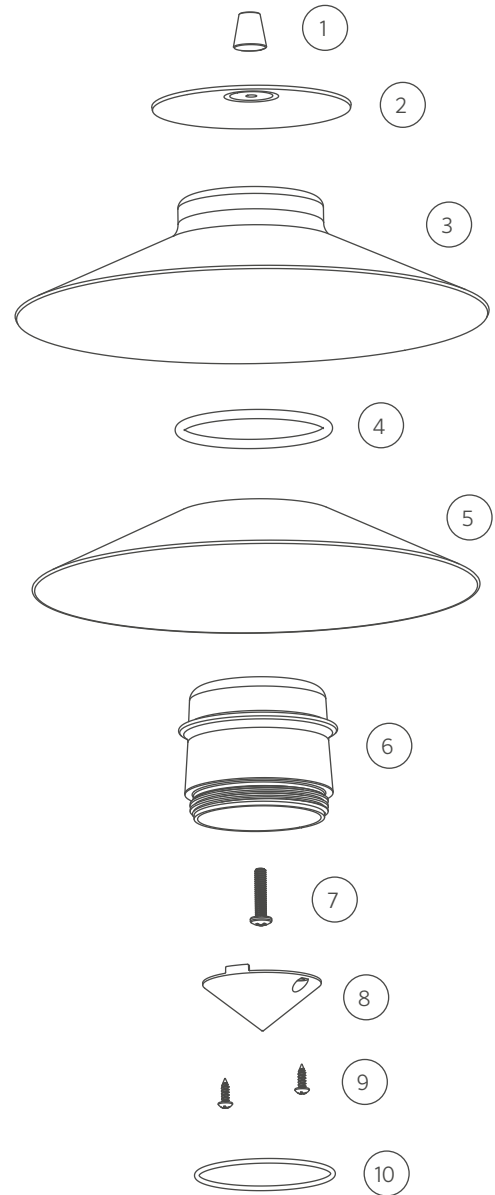
§ Not interchangeable with DM LED Top Assembly



DM LED TOP ASSEMBLY

| ITEM | DESCRIPTION | CATALOG # |
|------|-------------------|---------------|
| 1 | Cap Nut, Brass | 2500123000XX* |
| 2 | Shade, Copper | 2500124500XX* |
| 3 | Top, Copper | - |
| 4 | O-Ring | 250010280011 |
| 5 | Reflector, White | 754900 |
| 6 | Lens | 753500 |
| 7 | Screw, 8-32 x 3/4 | 250018780000 |
| 8 | Reflector, Chrome | - |
| 9 | Screw, #4 x 3/8 | - |
| 10 | O-Ring | 250010280032 |
| 8-9 | Grande Cone Kit | GCONEKIT |

*XX = finish code

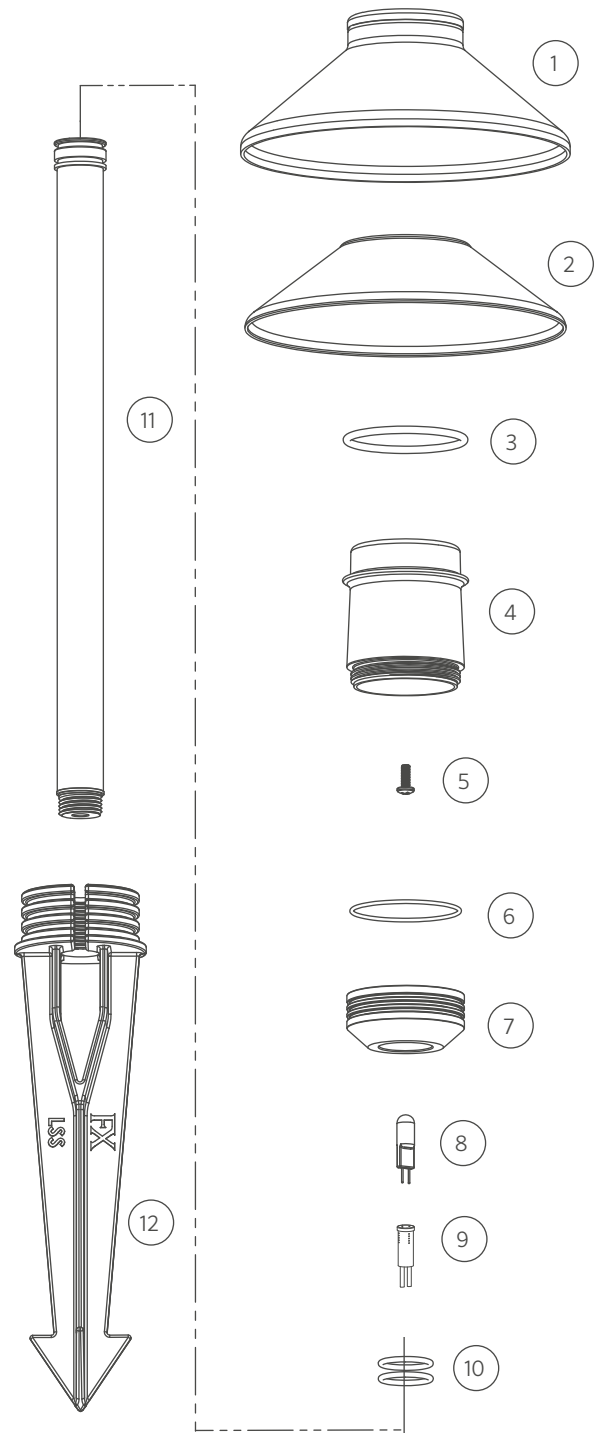


DL

| ITEM | DESCRIPTION | CATALOG # |
|------|--------------------------|------------------------|
| 1 | Copper Top and Brass Cap | - |
| 2 | Reflector | 755000 |
| 3 | O-Ring | 250010280012 |
| 4 | Lens | 753301 |
| 5 | Screw, 8-32 x 7/16 | 750103 |
| 6 | O-Ring | 250010280009 |
| 7 | Reducer | 250013300000 |
| 8 | Lamp, G4 Bi-Pin | See Lamp Chart, p. 124 |
| 9 | Socket, G4 | 754601 |
| 10 | O-Ring | 250010280004 |
| 11 | Riser Assembly | YYRA075XX* |
| 12 | Large Slot Spike | 250015840000 |
| 1-7 | Top Assembly | DLTAXX* [§] |
| 2-7 | Lens Assembly | DLLA |

* YY = riser height in inches, XX = finish code

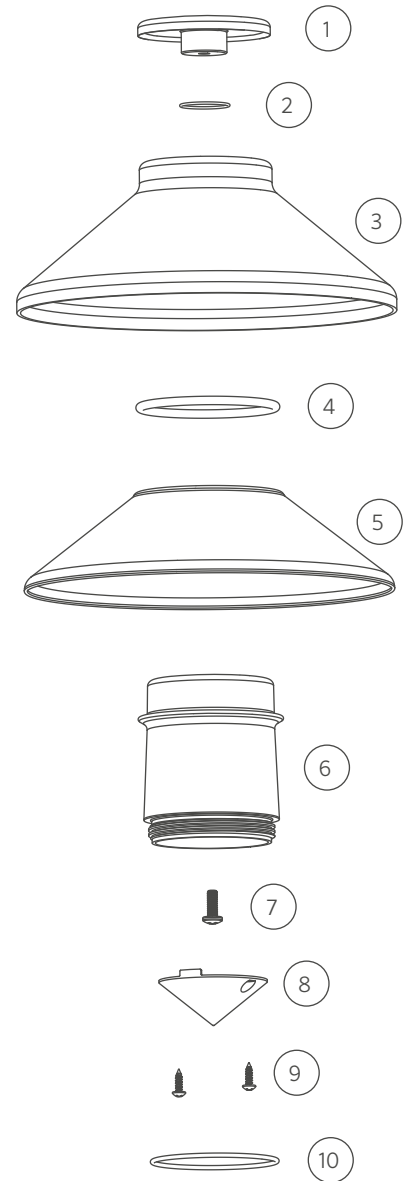
[§] Not interchangeable with DM LED Top Assembly



JS LED TOP ASSEMBLY

| ITEM | DESCRIPTION | CATALOG # |
|------|--------------------|---------------|
| 1 | Cap, Brass | 2500133300XX* |
| 2 | O-Ring | 250010280001 |
| 3 | Top, Copper | - |
| 4 | O-Ring | 250010280011 |
| 5 | Reflector, White | 755000 |
| 6 | Lens | 753300 |
| 7 | Screw, 8-32 x 7/16 | 750103 |
| 8 | Reflector, Chrome | - |
| 9 | Screw, #4 x 3/8 | - |
| 10 | O-Ring | 250010280032 |
| 8-9 | Grande Cone Kit | GCONEKIT |

*XX = finish code

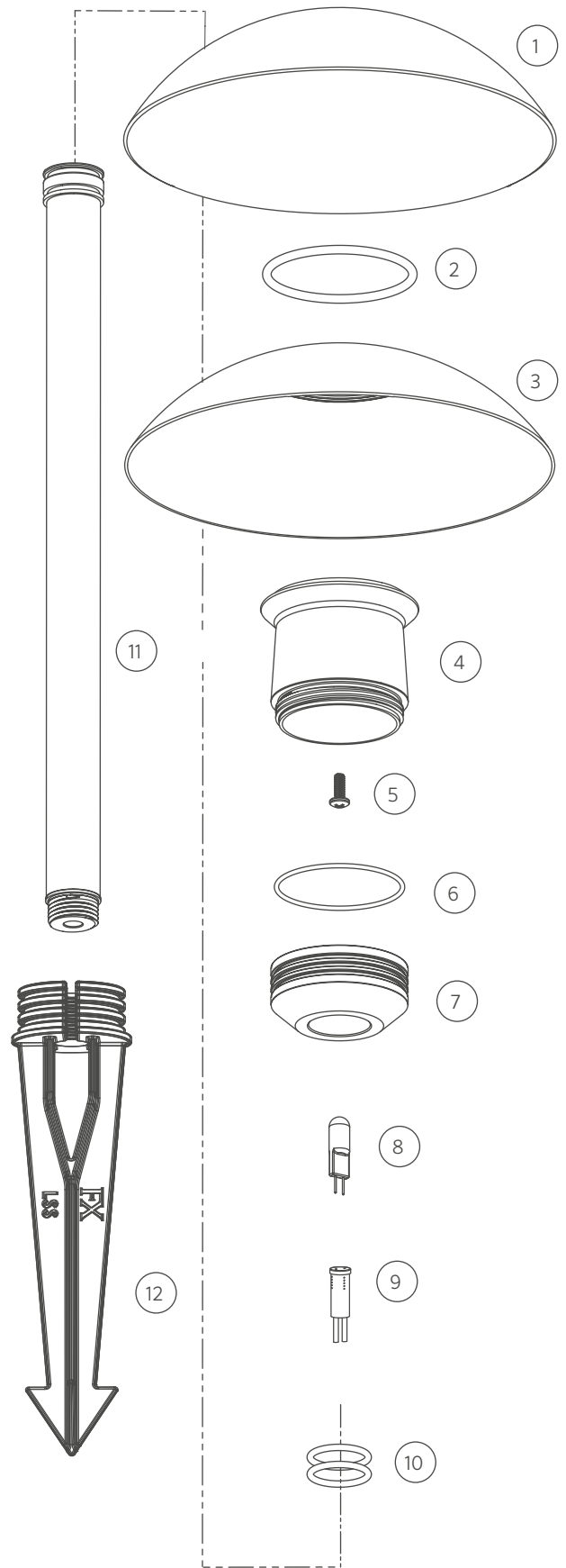


CV

| ITEM | DESCRIPTION | CATALOG # |
|------|--------------------|------------------------|
| 1 | Cap | - |
| 2 | O-Ring | 250010280012 |
| 3 | Reflector | 756300 |
| 4 | Lens | 753401 |
| 5 | Screw, 8-32 x 7/16 | 750103 |
| 6 | O-Ring | 250010280009 |
| 7 | Reducer | 250013300000 |
| 8 | Lamp, G4 Bi-Pin | See Lamp Chart, p. 124 |
| 9 | Socket, G4 | 754601 |
| 10 | O-Ring | 250010280004 |
| 11 | Riser Assembly | YYRA075XX* |
| 12 | Super Slot Spike | 753900 |
| 1-7 | Top Assembly | CVTAXX [§] |
| 2-7 | Lens Assembly | CACBCVQFLA |

* YY = riser height in inches, XX = finish code

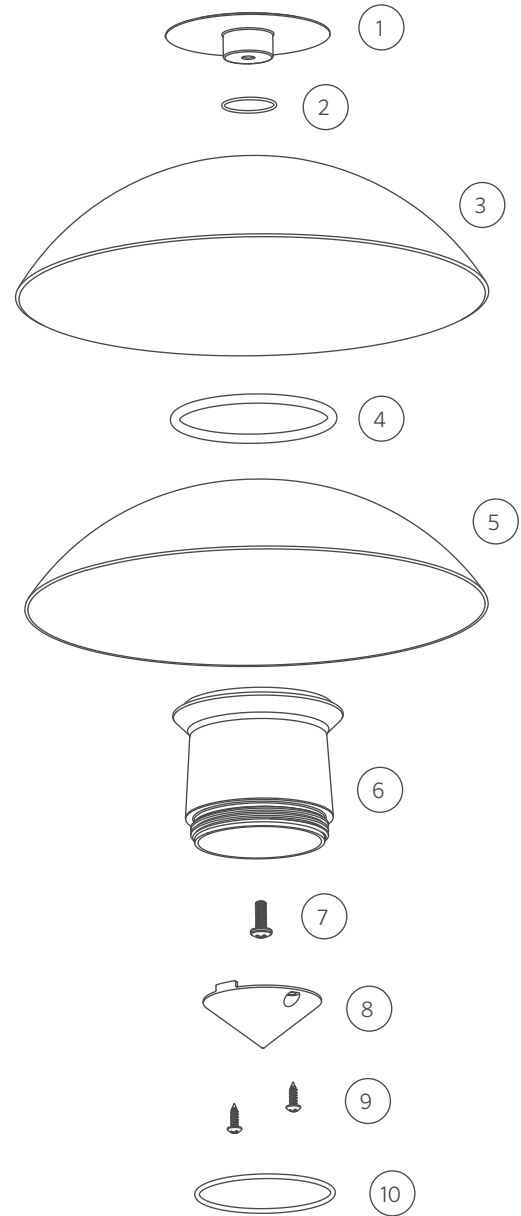
§ Not interchangeable with CV LED Top Assembly



CV LED TOP ASSEMBLY

| ITEM | DESCRIPTION | CATALOG # |
|------|--------------------|---------------|
| 1 | Cap, Brass | 2500125100XX* |
| 2 | O-Ring | 250010280001 |
| 3 | Top, Copper | - |
| 4 | O-Ring | 250010280012 |
| 5 | Reflector, White | 756300 |
| 6 | Lens | 753400 |
| 7 | Screw, 8-32 x 7/16 | 750103 |
| 8 | Reflector, Chrome | - |
| 9 | Screw, #4 x 3/8 | - |
| 10 | O-Ring | 250010280032 |
| 8-9 | Grande Cone Kit | GCONEKIT |

*XX = finish code

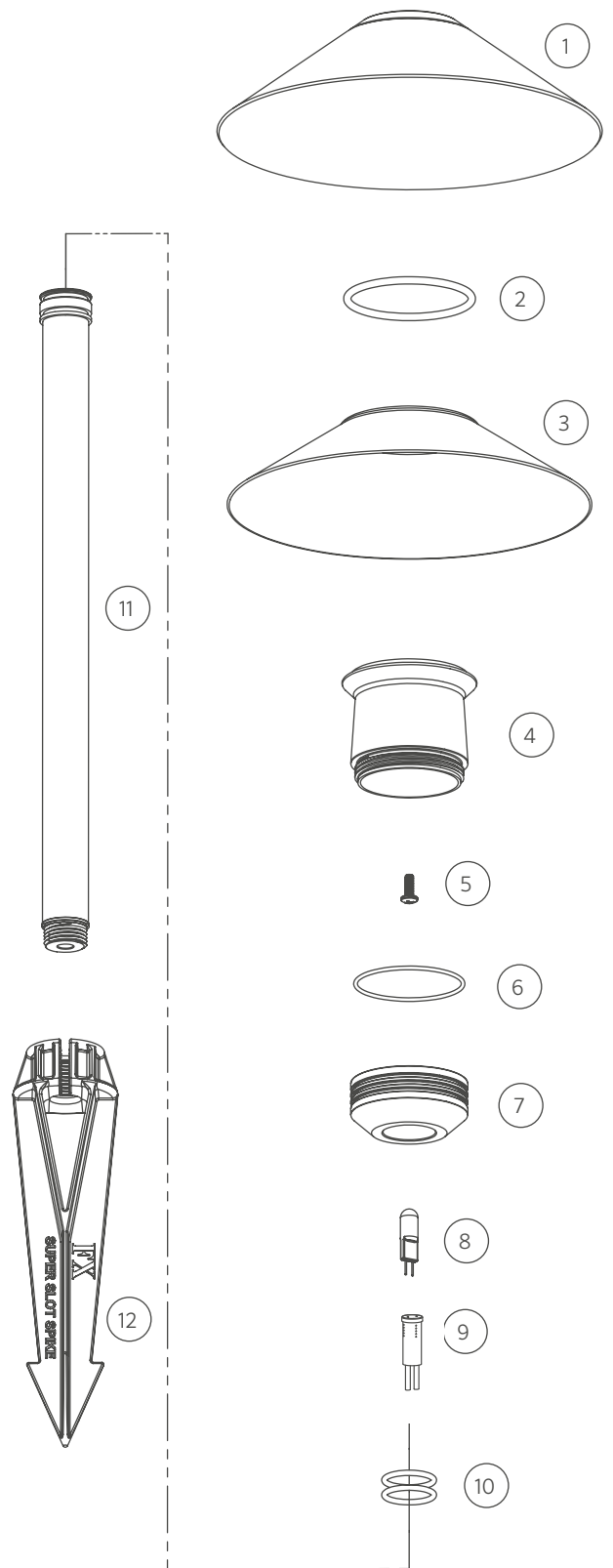


CB

| ITEM | DESCRIPTION | CATALOG # |
|------|--------------------------|------------------------|
| 1 | Copper Top and Brass Cap | - |
| 2 | O-Ring | 250010280012 |
| 3 | Reflector | 755100 |
| 4 | Lens | 753401 |
| 5 | Screw, 8-32 x 7/16 | 750103 |
| 6 | O-Ring | 250010280009 |
| 7 | Reducer, Brass | 250013300000 |
| 8 | Lamp, G4 Bi-Pin | See Lamp Chart, p. 124 |
| 9 | Socket, G4 | 754601 |
| 10 | O-Ring | 250010280004 |
| 11 | Riser Assembly | YYRA075XX* |
| 12 | Spike, Large Slot | 250015840000 |
| 1-7 | Top Assembly | CBTAXX* [§] |
| 2-7 | Lens Assembly | CACBCVQFLA |

* YY = riser height in inches, XX = powder coat color code

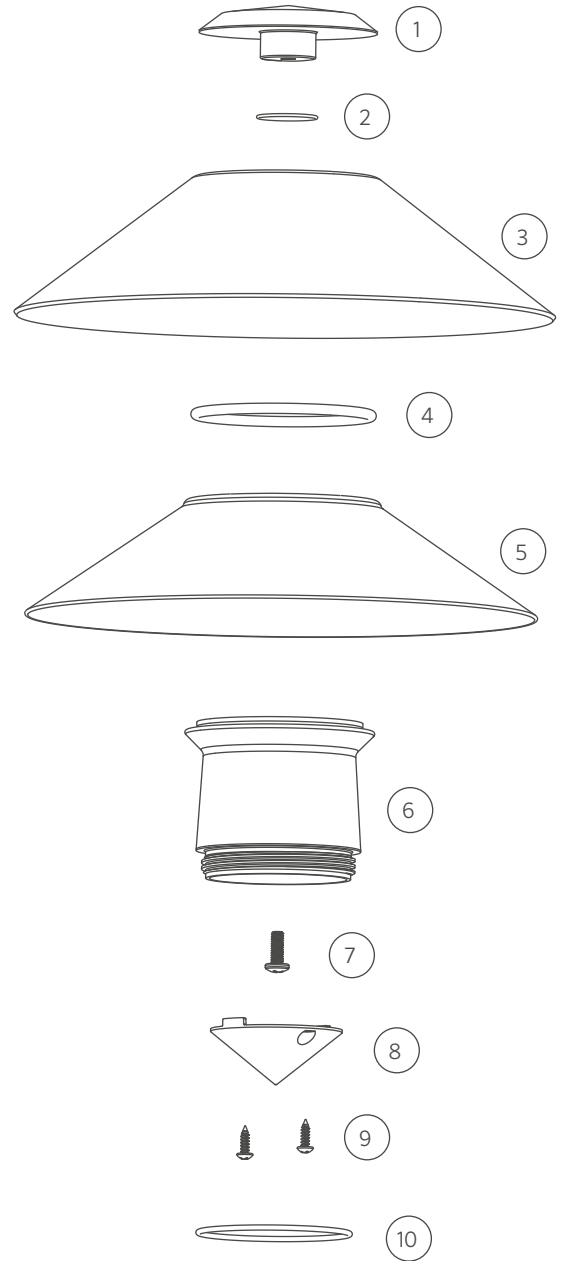
[§] Not interchangeable with CB LED Top Assembly



CB LED TOP ASSEMBLY

| ITEM | DESCRIPTION | CATALOG # |
|------|--------------------|---------------|
| 1 | Cap, Brass | 2500125300XX* |
| 2 | O-Ring | 250010280001 |
| 3 | Top, Copper | - |
| 4 | O-Ring | 250010280012 |
| 5 | Reflector, White | 755100 |
| 6 | Lens | 753400 |
| 7 | Screw, 8-32 x 7/16 | 750103 |
| 8 | Reflector, Chrome | - |
| 9 | Screw, #4 x 3/8 | - |
| 10 | O-Ring | 250010280032 |
| 8-9 | Grande Cone Kit | GCONEKIT |

*XX = finish code

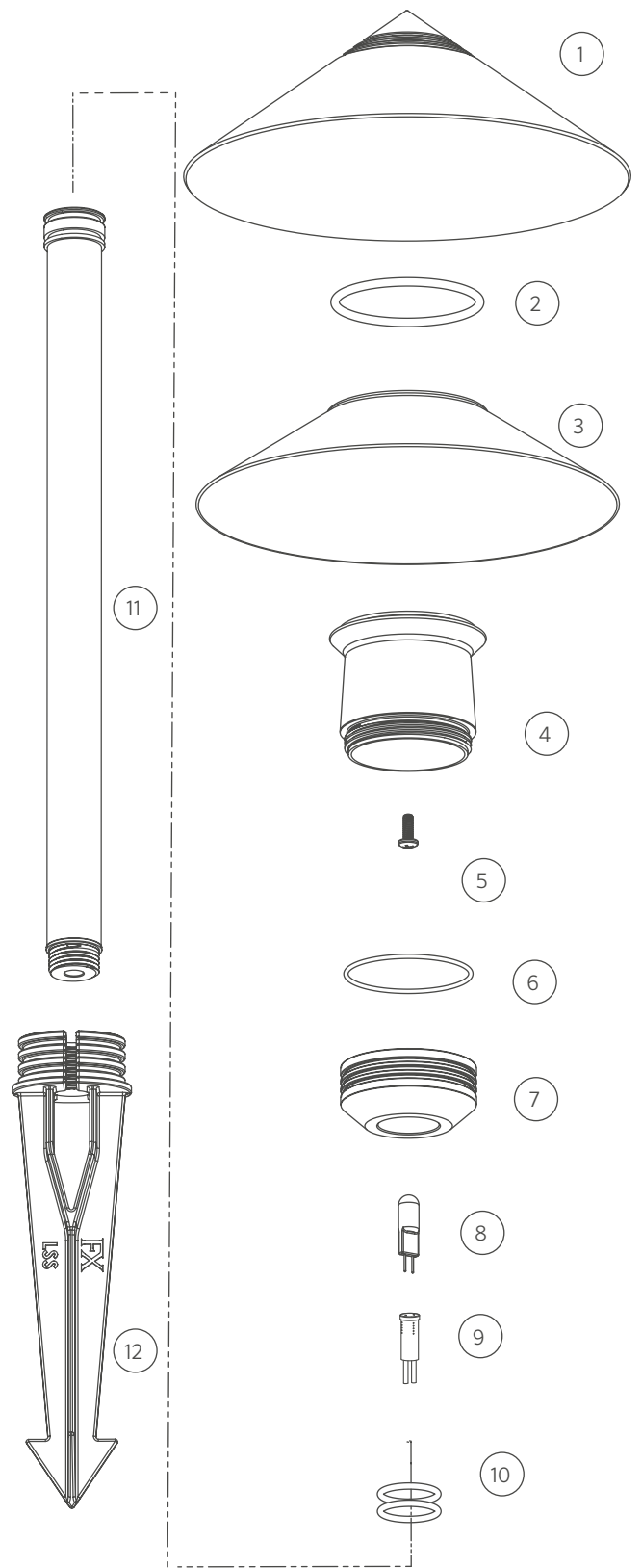


QF

| ITEM | DESCRIPTION | CATALOG # |
|------|----------------------------|------------------------|
| 1 | Copper Shade and Brass Top | - |
| 2 | O-Ring | 250010280012 |
| 3 | Reflector | 755100 |
| 4 | Lens | 753401 |
| 5 | Reducer | 250013300000 |
| 6 | O-Ring | 250010280009 |
| 7 | Reducer | 250013300000 |
| 8 | Lamp, G4 Bi-Pin | See Lamp Chart, p. 124 |
| 9 | Socket, G4 | 754601 |
| 10 | O-Ring | 250010280004 |
| 11 | Riser Assembly | YYRA075XX* |
| 12 | Super Slot Spike | 753900 |
| 1-7 | Top Assembly | QFTAXX* [§] |
| 2-7 | Lens Assembly | CACBCVQFLA |

* YY = riser height in inches, XX = finish code

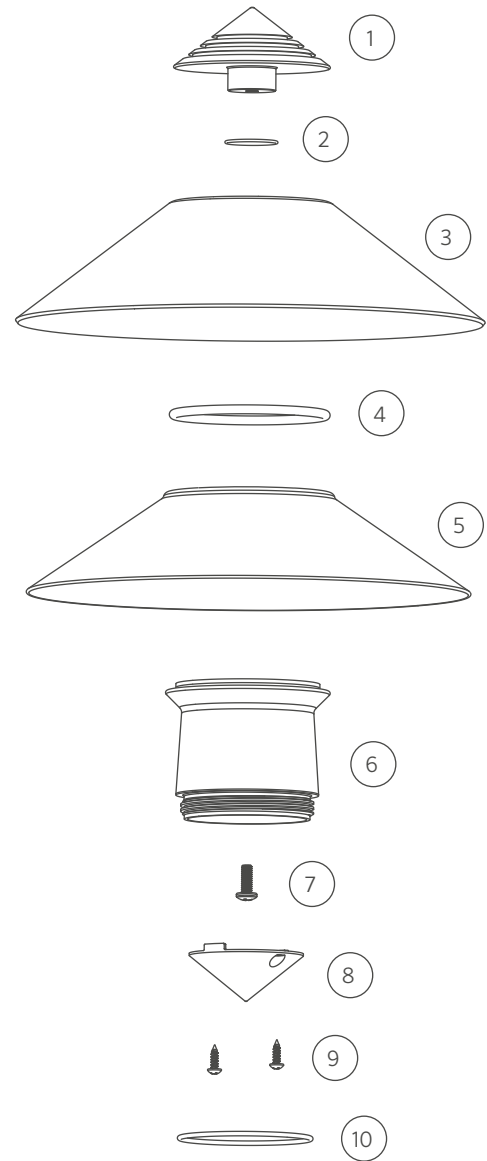
[§] Not interchangeable with QF LED Top Assembly



QF LED TOP ASSEMBLY

| ITEM | DESCRIPTION | CATALOG # |
|------|--------------------|---------------|
| 1 | Cap, Brass | 2500118600XX* |
| 2 | O-Ring | 250010280001 |
| 3 | Top, Copper | - |
| 4 | O-Ring | 250010280012 |
| 5 | Reflector, White | 755100 |
| 6 | Lens | 753400 |
| 7 | Screw, 8-32 x 7/16 | 750103 |
| 8 | Reflector, Chrome | - |
| 9 | Screw, #4 x 3/8 | - |
| 10 | O-Ring | 250010280032 |
| 8-9 | Grande Cone Kit | GCONEKIT |

*XX = finish code



G-RISER

| ITEM | DESCRIPTION | CATALOG # |
|------|------------------|---------------|
| 1-2 | Color Filter | See LED Chart |
| 3 | Screw | See LED Chart |
| 4-5 | Reflector | See LED Chart |
| 6-7 | LED Board | See LED Chart |
| 8 | Socket, 3-meter | 752601 |
| 9 | Riser Assembly | - |
| 10 | Large Slot Spike | 250015840000 |

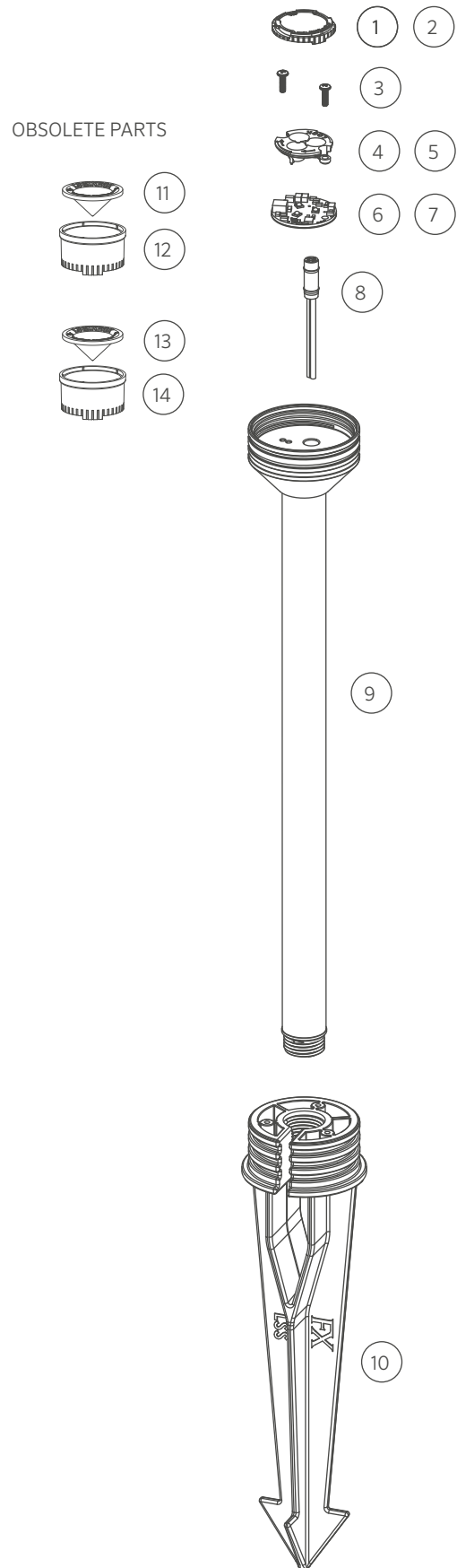
*XX = finish code

GRA LED COMPONENTS

| ITEM | DESCRIPTION | CATALOG # |
|------|--------------------------------|------------------------|
| 1 | 1 LED Color Filter, Amber | 770100 |
| 1 | 1 LED Color Filter, Blue | 770101 |
| 1 | 1 LED Color Filter, Green | 770102 |
| 2 | 3 LED Color Filter, Amber | 770800 |
| 2 | 3 LED Color Filter, Blue | 770801 |
| 2 | 3 LED Color Filter, Green | 770802 |
| 3 | Screw, 4-40 x 3/8 (Qty Req: 2) | 762400 |
| 4 | 1 LED Board | 1LEDULKIT [†] |
| 5 | 3 LED Board | 3LEDULKIT [†] |
| 5 | ZDC LED Board | ZDCKITM ^{**} |
| 6 | 1 LED Reflector | 770000 |
| 7 | 3 LED Reflector | 770700 |
| 7 | ZDC LED Reflector | 250022050000 |
| 11 | Upper Reflector 1 LED | 770300 |
| 12 | Reflector Support 1 LED | 770200 |
| 13 | Upper Reflector 3 LED | 771000 |
| 14 | Reflector Support 3 LED | 770900 |

[†] ZD = zoneable and dimmable (add ZD to front of part number)

^{**} ZDC kit includes LED board, ZDC reflector, screws, and flood lens diffuser (3LEDFLLENS)



P-RISER

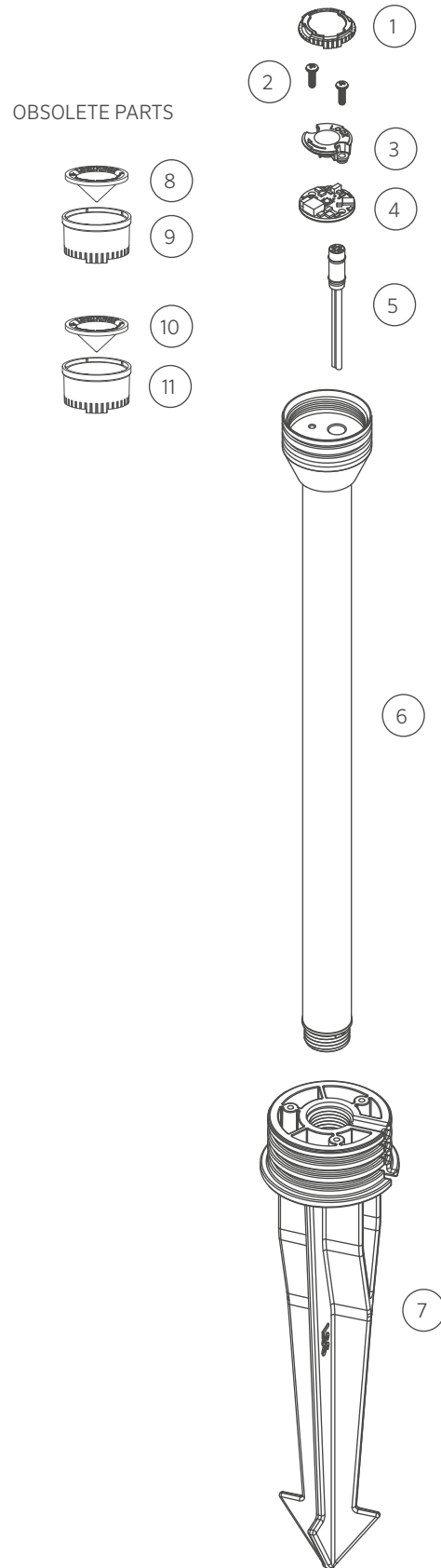
| ITEM | DESCRIPTION | CATALOG # |
|------|------------------|---------------|
| 1 | Color Filter | See LED Chart |
| 2 | Screw | See LED Chart |
| 3 | Reflector | See LED Chart |
| 4 | LED Board | See LED Chart |
| 5 | Socket, 3-meter | 752601 |
| 6 | Riser Assembly | - |
| 7 | Large Slot Spike | 250015840000 |

*XX = Finish code

PRA LED COMPONENTS

| ITEM | DESCRIPTION | CATALOG # |
|------|--------------------------------|------------------------|
| 1 | 1 LED Color Filter, Amber | 770100 |
| 1 | 1 LED Color Filter, Blue | 770101 |
| 1 | 1 LED Color Filter, Green | 770102 |
| 2 | Screw, 4-40 x 3/8 (Qty Req: 2) | 762400 |
| 3 | 1 LED Reflector | 770000 |
| 4 | 1 LED Board | 1LEDULKIT [‡] |
| 8 | Upper Reflector 1 LED | 770300 |
| 9 | Reflector Support 1 LED | 770200 |
| 10 | Upper Reflector 3 LED | 771000 |
| 11 | Reflector Support 3 LED | 770900 |

[‡] ZD = zoneable and dimmable (add ZD to front of part number)



A-RISER

| ITEM | DESCRIPTION | CATALOG # |
|------|------------------|---------------|
| 1-2 | Color Filter | See LED Chart |
| 3 | Screw | See LED Chart |
| 4-5 | Reflector | See LED Chart |
| 6-7 | LED Board | See LED Chart |
| 8 | Socket, 3-meter | 752601 |
| 9 | Reducer | - |
| 10 | Riser, Aluminum | YYRXX* |
| 11 | Large Slot Spike | 250015840000 |

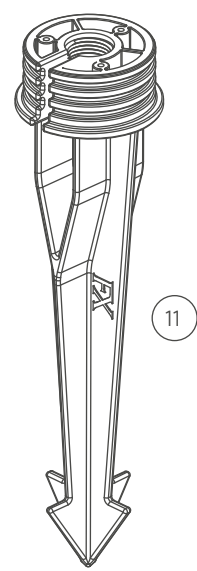
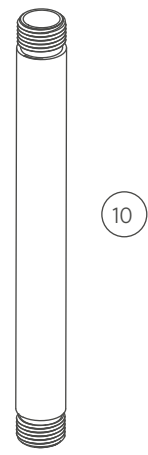
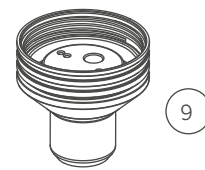
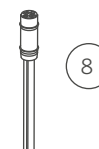
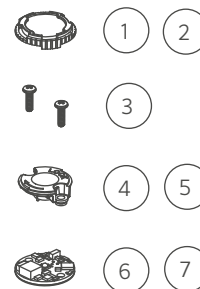
* YY = riser height in inches, XX = powder coat color code

ARA LED COMPONENTS

| ITEM | DESCRIPTION | CATALOG # |
|------|--------------------------------|------------------------|
| 1 | 1 LED Color Filter, Amber | 770100 |
| 1 | 1 LED Color Filter, Blue | 770101 |
| 1 | 1 LED Color Filter, Green | 770102 |
| 2 | 3 LED Color Filter, Amber | 770800 |
| 2 | 3 LED Color Filter, Blue | 770801 |
| 2 | 3 LED Color Filter, Green | 770802 |
| 3 | Screw, 4-40 x 3/8 (Qty Req: 2) | 762400 |
| 4 | 1 LED Reflector | 770000 |
| 5 | 3 LED Reflector | 770700 |
| 5 | ZDC LED Reflector | 250022050000 |
| 6 | 1 LED Board | 1LEDULKIT [†] |
| 7 | 3 LED Board | 3LEDULKIT [†] |
| 7 | ZDC LED Board | ZDCKITM ^{**} |

[†] ZD = zoneable and dimmable (add ZD to front of part number)

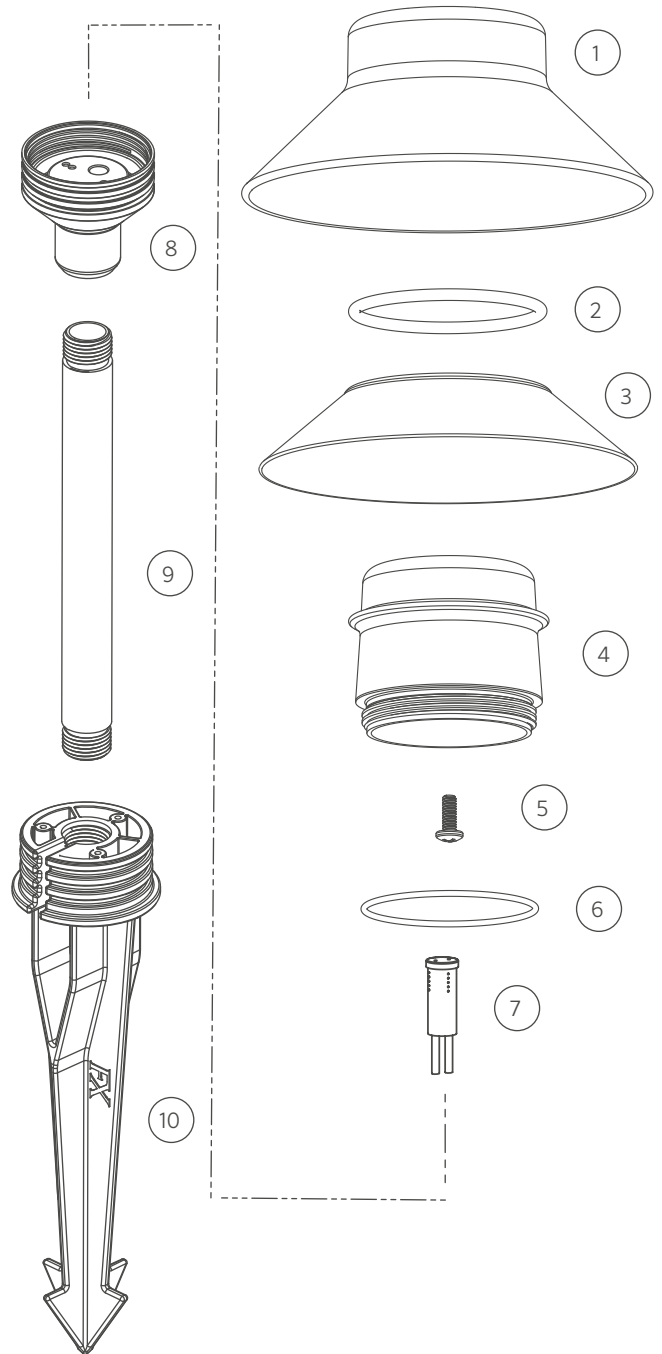
^{**} ZDC kit includes LED board, ZDC reflector, screws, and flood lens diffuser (3LEDFLENS)



TM

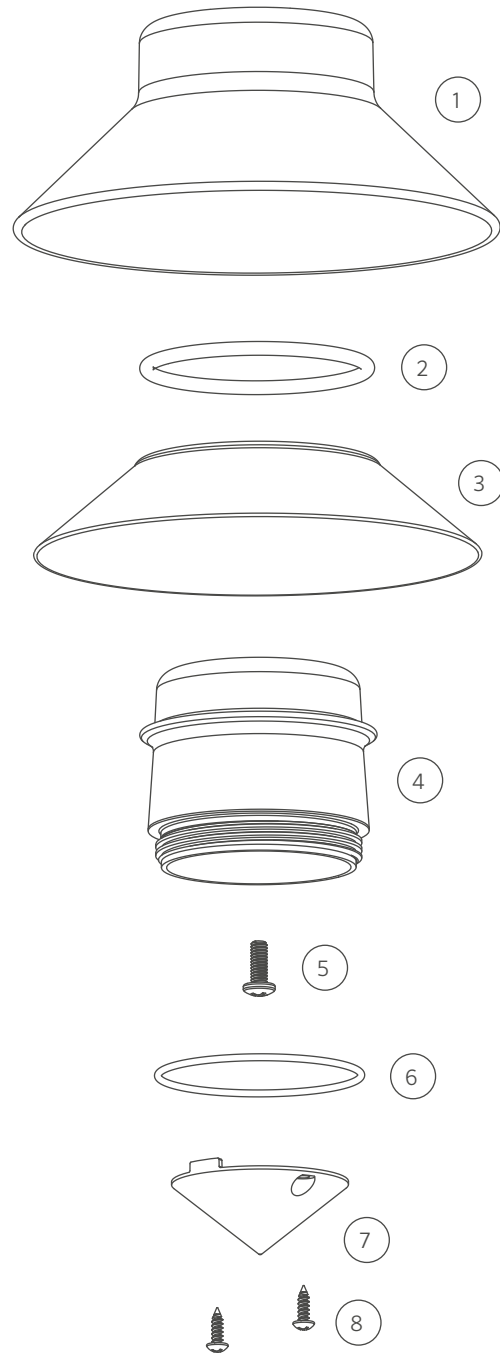
| ITEM | DESCRIPTION | CATALOG # |
|------|---------------------|--------------|
| 1 | Top | - |
| 2 | O-Ring | 250010280011 |
| 3 | Reflector, White | 250018870000 |
| 4 | Lens | 753501 |
| 5 | Screw, 8-32 x 7/16 | 750103 |
| 6 | O-Ring | 250010280032 |
| 7 | Socket, G4 | 754601 |
| 8 | Reducer | - |
| 9 | Riser, Aluminum | YYRXX* |
| 10 | Large Slot Spike | 250015840000 |
| 1-7 | TM Top Assembly, G4 | TMTAXX |

* YY = riser height in inches, XX = powder coat color code



TM LED

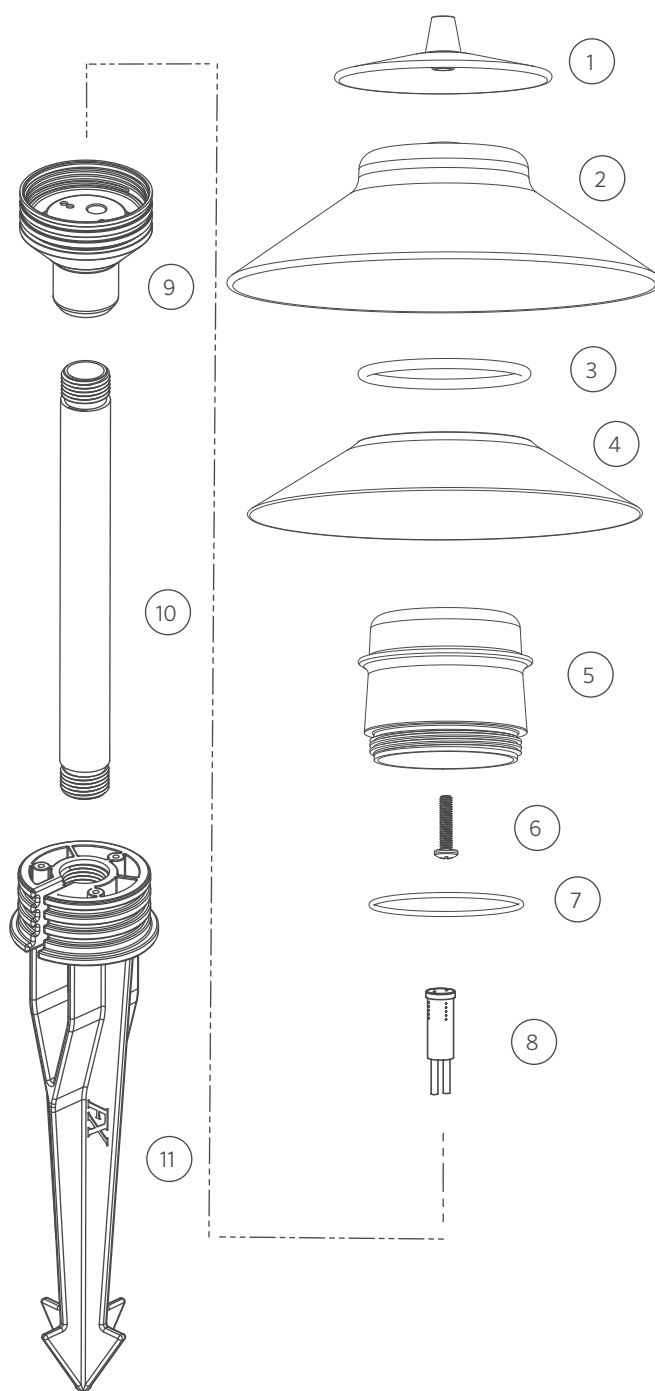
| ITEM | DESCRIPTION | CATALOG # |
|------|--------------------|--------------|
| 1 | Top | - |
| 2 | O-Ring | 250010280011 |
| 3 | Reflector, White | 250018870000 |
| 4 | Lens | 753500 |
| 5 | Screw, 8-32 x 7/16 | 750103 |
| 6 | O-Ring | 250010280032 |
| 7 | Reflector, Chrome | - |
| 8 | Screw, #4 x 3/8 | - |
| 7-8 | Grande Cone Kit | GCONEKIT |



PL

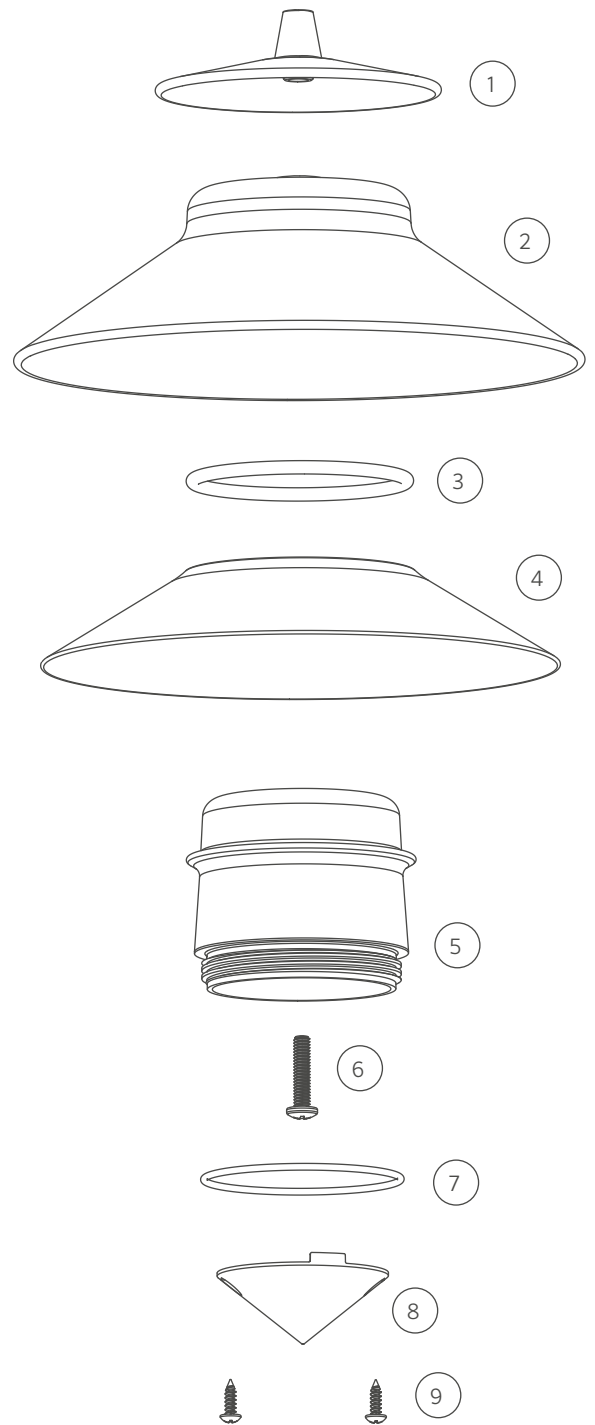
| ITEM | DESCRIPTION | CATALOG # |
|------|---------------------|--------------|
| 1 | Shade | - |
| 2 | Top | - |
| 3 | O-Ring | 250010280011 |
| 4 | Reflector, White | 250018830000 |
| 5 | Lens | 753501 |
| 6 | Screw, 8-32 x 3/4 | 250018780000 |
| 7 | O-Ring | 250010280032 |
| 8 | Socket, G4 | 754601 |
| 9 | Reducer | - |
| 10 | Riser, Aluminum | YYRXX* |
| 11 | Large Slot Spike | 250015840000 |
| 1-7 | PL Top Assembly, G4 | PLTAXX |

* YY = riser height in inches, XX = powder coat color code



PL LED

| ITEM | DESCRIPTION | CATALOG # |
|------|-------------------|--------------|
| 1 | Shade | - |
| 2 | Top | - |
| 3 | O-Ring | 250010280011 |
| 4 | Reflector, White | 250018830000 |
| 5 | Lens | 753500 |
| 6 | Screw, 8-32 x 3/4 | 250018780000 |
| 7 | O-Ring | 250010280032 |
| 8 | Reflector, Chrome | - |
| 9 | Screw, #4 x 3/8 | - |
| 8-9 | Grande Cone Kit | GCONEKIT |

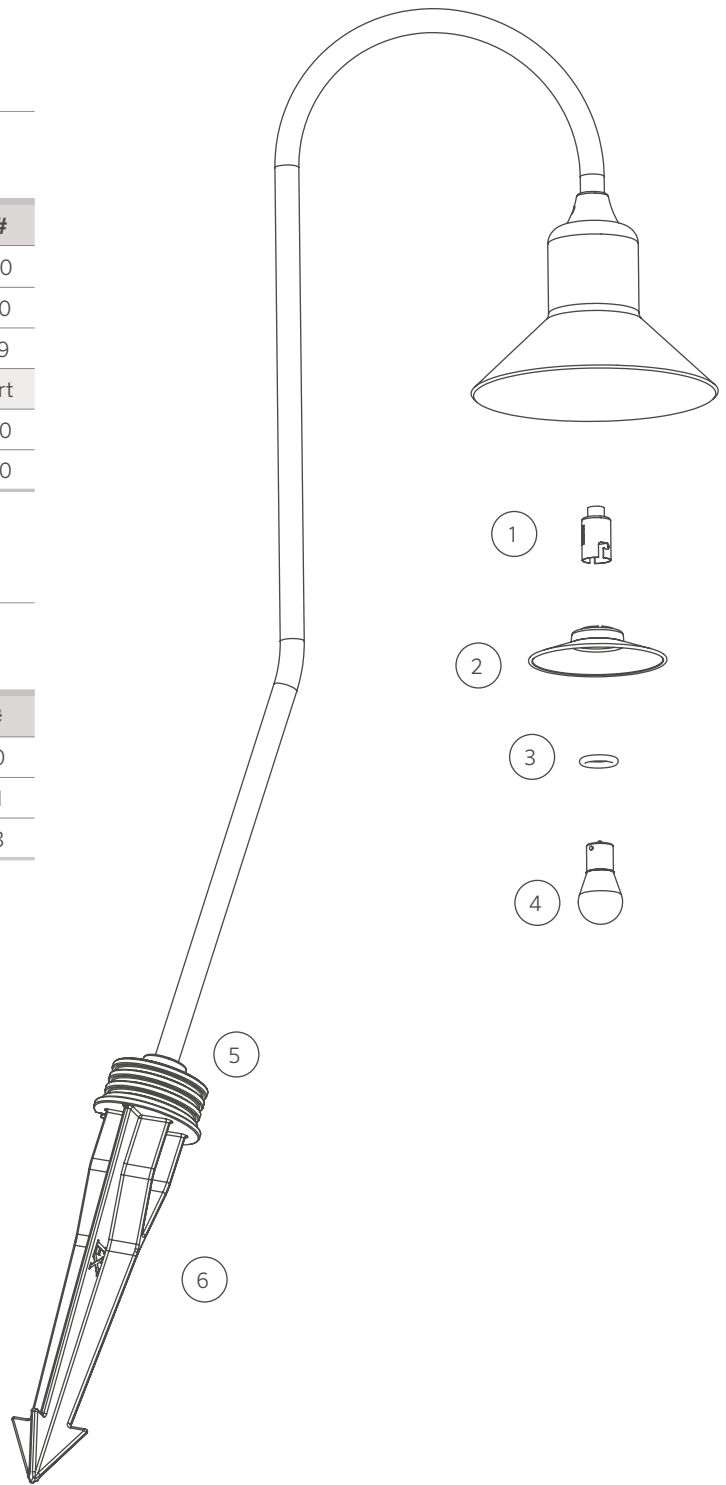


AL

| ITEM | DESCRIPTION | CATALOG # |
|------|---------------------------------|----------------|
| 1 | Socket, Bayonet, Single Contact | 250012800000 |
| 2 | Reflector | 250012740000 |
| 3 | O-Ring | 250010280019 |
| 4 | Lamp | See Lamp Chart |
| 5 | Bottom Insert | 250012830000 |
| 6 | Large Slot Spike (LSS) | 250015840000 |

LAMP Chart

| DESCRIPTION | CATALOG # |
|---------------------|--------------|
| Lamp, Miniature 12V | 250010510000 |
| Lamp, Miniature 18V | 250010510001 |
| Lamp, Miniature 25V | 250010510003 |

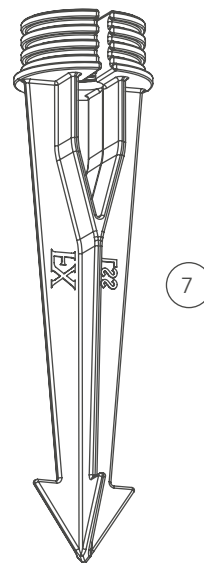
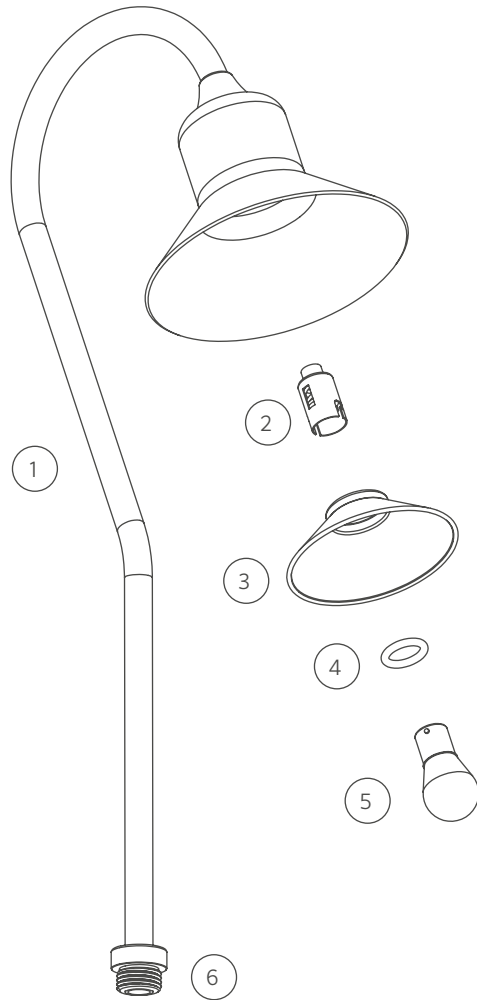


TD

| ITEM | DESCRIPTION | CATALOG # |
|------|---------------------------------|----------------|
| 1 | Riser Assembly | — |
| 2 | Socket, Bayonet, Single Contact | 25001280000 |
| 3 | Reflector | 250013270000 |
| 4 | O-Ring | 250010280019 |
| 5 | Lamp | See Lamp Chart |
| 6 | Bottom Insert | 250011990000 |
| 7 | Large Slot Spike (LSS) | 250015840000 |

LAMP Chart

| DESCRIPTION | CATALOG # |
|----------------------|--------------|
| Lamp, Miniature 12 V | 250010510000 |
| Lamp, Miniature 18 V | 250010510001 |
| Lamp, Miniature 25 V | 250010510003 |



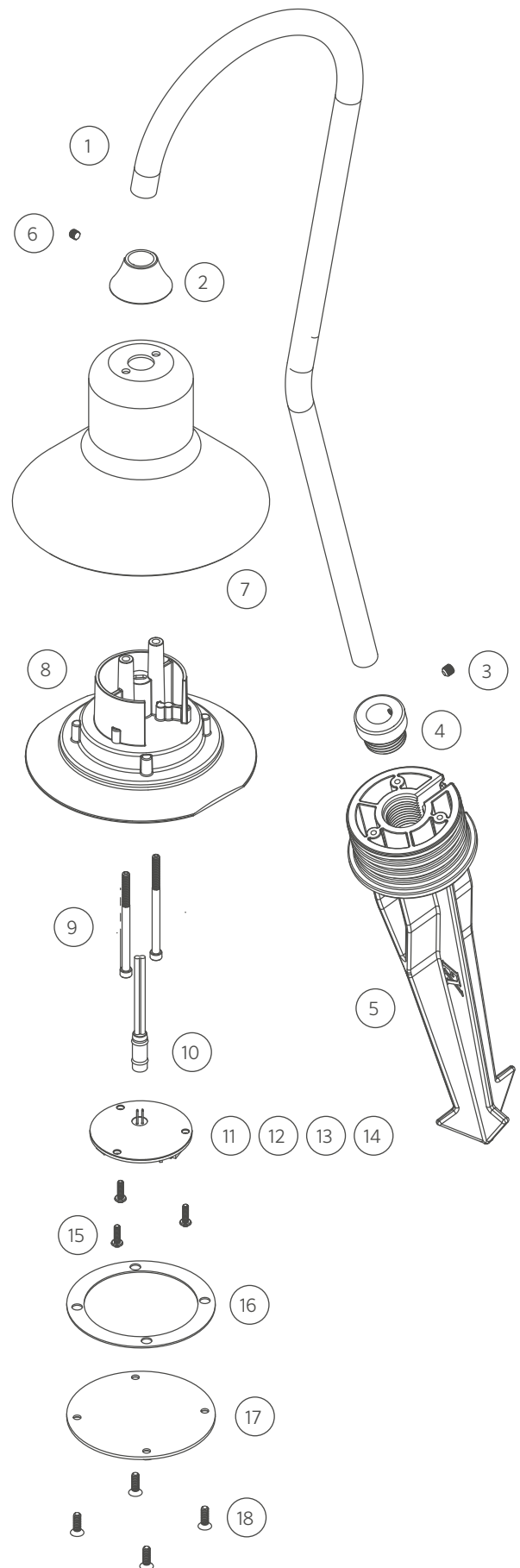
TD LED

| ITEM | DESCRIPTION | CATALOG # |
|-------|------------------------|---------------|
| 1 | Riser, Copper | - |
| 2 | Coupling | - |
| 3 | Screw, 10-32 x 3/16 | 250012050000 |
| 4 | Bottom Insert | 250011990000 |
| 5 | Large Slot Spike (LSS) | 250015840000 |
| 6 | Screw, 8-32 x 3/16 | 250012760000 |
| 7 | Top | - |
| 8 | LED Insert | - |
| 9 | Screw, 6-32 x 2.25 | 250019170000 |
| 10 | Socket, 3-meter | 752601 |
| 11-14 | LED Board | See LED Chart |
| 15 | Screw, 4-40 x 3/8 | 762400 |
| 16 | Gasket | 250019130000 |
| 17 | Lens | See LED Chart |
| 18 | Screw, 6-32 | 250014810000 |

TD LED COMPONENTS

| ITEM | DESCRIPTION | CATALOG # |
|------|---------------|-------------------------|
| 11 | 1 LED Board | 1LEDULKIT ^{††} |
| 12 | 3 LED Board | 3LEDULKIT ^{††} |
| 13 | 6 LED Board | 6LEDULKIT ^{††} |
| 14 | 9 LED Board | 9LEDULKIT ^{††} |
| 14 | ZDC LED Board | ZDCKITL ^{**} |
| 17 | Lens, Clear | 250019150000 |
| 17 | Lens, Amber | 250019150001 |

[‡] ZD = zoneable and dimmable (add ZD to front of part number)
[†] Kits do not include TD/FG colored filters; must order separately-
 no symbol for this
^{**} ZDC kit includes LED board, ZDC reflector, screws, and flood
 lens (9LEDFLLENS)

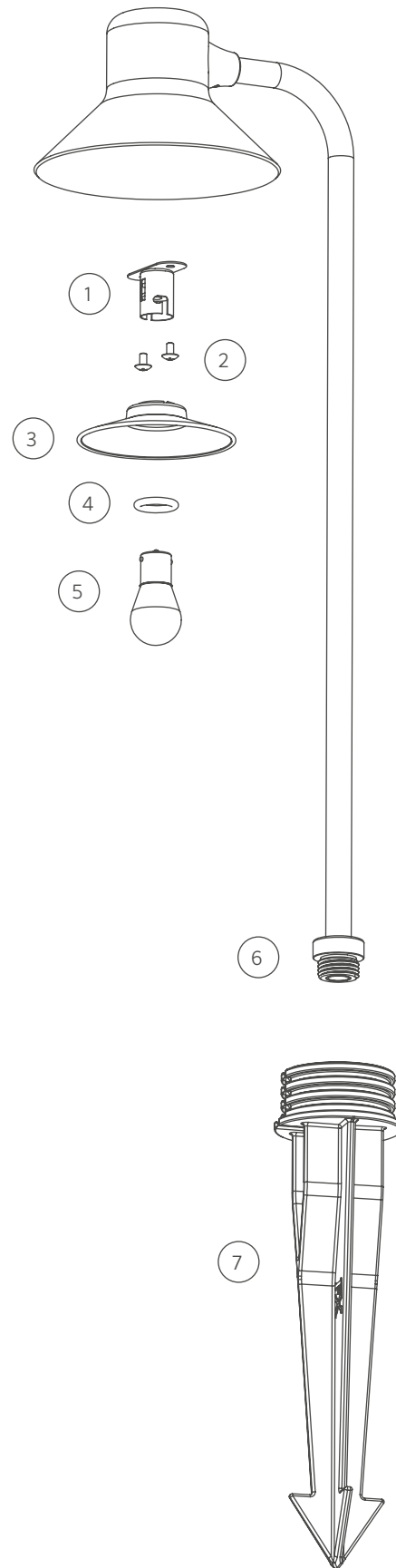


FG

| ITEM | DESCRIPTION | CATALOG # |
|------|---------------------------------|----------------|
| 1 | Socket, Bayonet, Single Contact | 250012750000 |
| 2 | Screw, 6-32 x 1/4 | 250010210000 |
| 3 | Reflector | 250012740000 |
| 4 | O-Ring | 250010280019 |
| 5 | Lamp | See Lamp Chart |
| 6 | Bottom Insert | 250011990000 |
| 7 | Large Slot Spike (LSS) | 250015840000 |

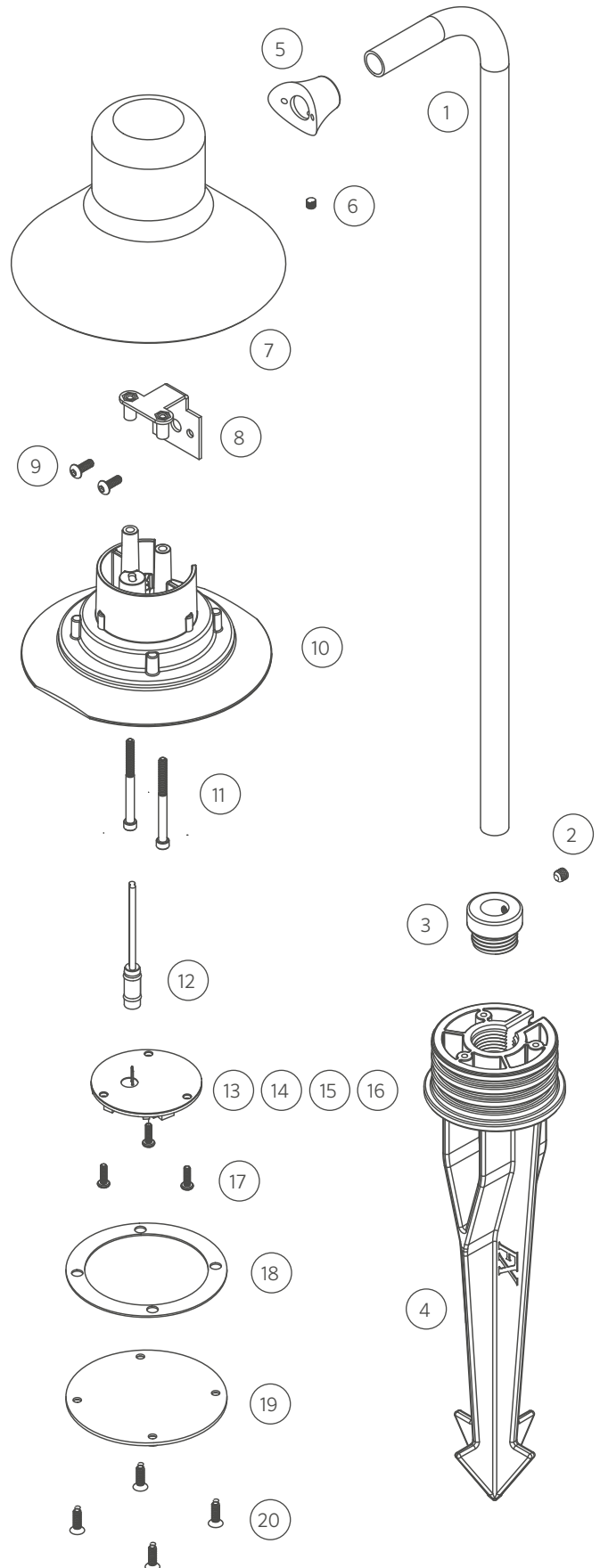
LAMP Chart

| DESCRIPTION | CATALOG # |
|----------------------|--------------|
| Lamp, Miniature 12 V | 250010510000 |
| Lamp, Miniature 18 V | 250010510001 |
| Lamp, Miniature 25 V | 250010510003 |



FG LED

| ITEM | DESCRIPTION | CATALOG # |
|-------|---------------------|---------------|
| 1 | Riser | - |
| 2 | Screw, 10-32 x 3/16 | 250012050000 |
| 3 | Bottom Insert | 250011990000 |
| 4 | Large Slot Spike | 250015840000 |
| 5 | Coupling | - |
| 6 | Screw, 8-32 x 3.16 | 250012760000 |
| 7 | Top, Copper | - |
| 8 | Bracket | 250019140000 |
| 9 | Screw, 6-32 x 3/8 | 250012720000 |
| 10 | LED Insert | - |
| 11 | Screw, 6-32 x 1.75 | 250019160000 |
| 12 | Socket, 3-meter | 752601 |
| 13-16 | LED Board | See LED Chart |
| 17 | Screw, 4-40 x 3/8 | 762400 |
| 18 | Gasket | 250019130000 |
| 19 | Lens | See LED Chart |
| 20 | Screw, 6-32 | 250014810000 |



FG LED COMPONENTS

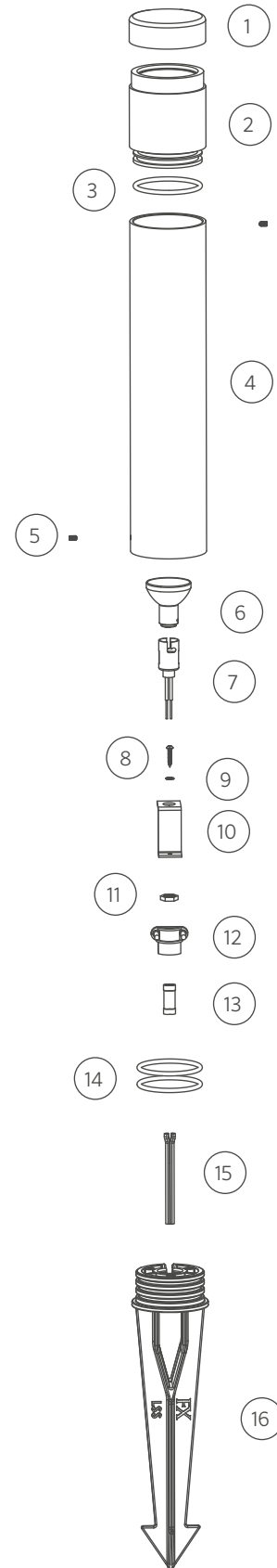
| ITEM | DESCRIPTION | CATALOG # |
|------|---------------|------------------------|
| 13 | 1 LED Board | 1LEDULKIT [†] |
| 14 | 3 LED Board | 3LEDULKIT [†] |
| 15 | 6 LED Board | 6LEDULKIT [†] |
| 16 | 9 LED Board | 9LEDULKIT [†] |
| 16 | ZDC LED Board | ZDCKITL ^{**} |
| 19 | Lens, Clear | 250019150000 |
| 19 | Lens, Amber | 250019150001 |

[‡] ZD = zoneable and dimmable (add ZD to front of part number)
[†] Kits do not include TD/FG colored filters; must order separately
^{**} ZDC kit includes LED board, ZDC reflector, screws, and flood lens (9LEDFLLENS)

PM

| ITEM | DESCRIPTION | CATALOG # |
|------|---------------------------------|--------------|
| 1 | Cap | - |
| 2 | Lens | - |
| 3 | O-Ring | 250010280011 |
| 1-3 | Lens Cap Assembly | PMLCXX* |
| 4 | Body | - |
| 5 | Screw, 6-32 x 1/4 | 250012940000 |
| 6 | Lamp, AR-11 | 250010240001 |
| 7 | Socket, Bayonet, Double Contact | 250012890000 |
| 8 | Screw, #4 x 5/8 | 250012990000 |
| 9 | Washer, Ext Tooth, #4 | 250012980000 |
| 10 | Bracket, Lamp | 250012960000 |
| 11 | Nut, Hex, 1/8" | 250012970001 |
| 12 | Clamp, Wire, 3/8 | 250013010000 |
| 13 | Butt Splice | 250013020000 |
| 14 | O-Ring | 250010280006 |
| 15 | Cable | 250013000000 |
| 16 | Large Slot Spike (LSS) | 250015840000 |
| | Hex Key, 1/16 Short Arm | 250012950000 |

*XX = finish Code



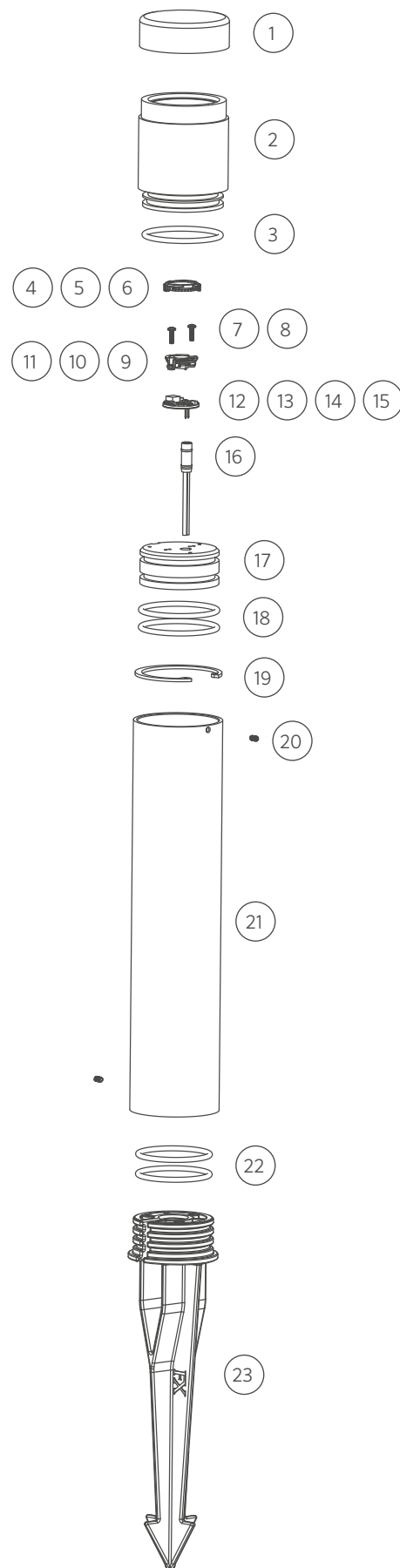
PM LED

| ITEM | DESCRIPTION | CATALOG # |
|-------|-------------------------|---------------|
| 1 | Cap | - |
| 2 | Lens | - |
| 3 | O-Ring | 250010280011 |
| 1-3 | Lens Cap Assembly | PMLCXX* |
| 4-6 | Color Filter | See LED Chart |
| 7-8 | Screw, 4-40 x 3/8 | See LED Chart |
| 9-11 | Reflector | See LED Chart |
| 12-15 | LED Board | See LED Chart |
| 16 | Socket, 3-meter | 752601 |
| 17 | Insert | - |
| 18 | O-Ring | 250010280025 |
| 19 | Retaining Ring | 250019110000 |
| 20 | Screw, 6-32 x 1/4 | 250012940000 |
| 21 | Body | - |
| 22 | O-Ring | 250010280006 |
| 23 | Large Slot Spike | 250015840000 |
| | Hex Key, 1/16 Short Arm | 250012950000 |

*XX = finish Code

PM LED COMPONENTS

| ITEM | DESCRIPTION | CATALOG # |
|------|---|--------------|
| 4 | 1 LED Color Filter, Amber | 770100 |
| 4 | 1 LED Color Filter, Blue | 770101 |
| 4 | 1 LED Color Filter, Green | 770102 |
| 5 | 3 LED Color Filter, Amber | 770800 |
| 5 | 3 LED Color Filter, Blue | 770801 |
| 5 | 3 LED Color Filter, Green | 770802 |
| 6 | 6/9 LED Color Filter, Amber | 771500 |
| 6 | 6/9 LED Color Filter, Blue | 771501 |
| 6 | 6/9 LED Color Filter, Green | 771502 |
| 7 | 1/3 LED Screw, 4-40 x 3/8 (Qty Req: 2) | 762400 |
| 8 | 6/9 LED Screw, 4-40 x 7/16 (Qty Req: 3) | 250014550000 |
| 9 | 1 LED Reflector | 770000 |
| 10 | 3 LED Reflector | 770700 |
| 11 | 6/9 LED Reflector | 771400 |
| 11 | ZDC LED Reflector | 250020690000 |
| 12 | 1 LED Board | 1LEDULKIT† |
| 13 | 3 LED Board | 3LEDULKIT† |
| 14 | 6 LED Board | 6LEDULKIT† |
| 15 | 9 LED Board | 9LEDULKIT† |
| 15 | ZDC LED Board | ZDCKITL** |

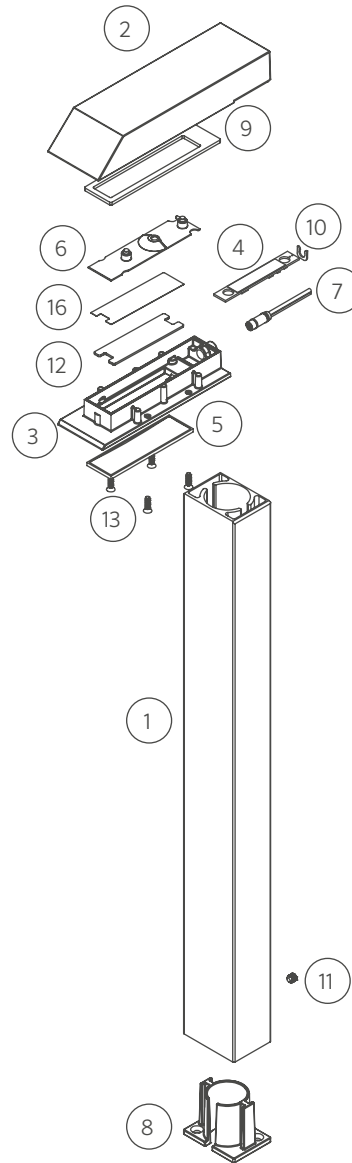


† ZD = zoneable and dimmable (add ZD to front of part number)
 ** ZDC kit includes LED board, reflector, screws, and flood lens (9LEDFLENS)

M-PL LED

| ITEM | DESCRIPTION | CATALOG # |
|------|--|----------------------------|
| 1 | M-PL Riser | -- |
| 2 | M-PL Top | -- |
| 3 | Top LED Holder | -- |
| 4 | PCA, LED, 1X, Rectangular | 755902/ 755901/ ZDCKITR |
| 5 | M-PL Lens | 250026570000 |
| 6 | M-PL Reflector | 250026560000 |
| 7 | Connector Overmolded | 752601 |
| 8 | M-PL Deck Mount | MPL-DM-XX |
| 9 | Gasket, Modern Path Light | 250026700000 |
| 10 | Strain Relief, Connector, LF | 755800 |
| 11 | Setscrew, ¼-20 x 0.25 LG, CUP Point, SST | 250015320000 |
| 12 | Amber Lens | 250027320000 |
| 13 | Screw, FH, 6-32 x ½ LG, Mach, Phillips, SST, 82° | 750114 |
| 14 | Screw, FH, 6-18 x 1.5 LG, Drywall, Phillips | 250013060000 |
| 15 | M-PL, ZDC, Top Filter | 250027330000 |
| 16 | M-PL, ZDC, Bottom Filter | 250027340000 |

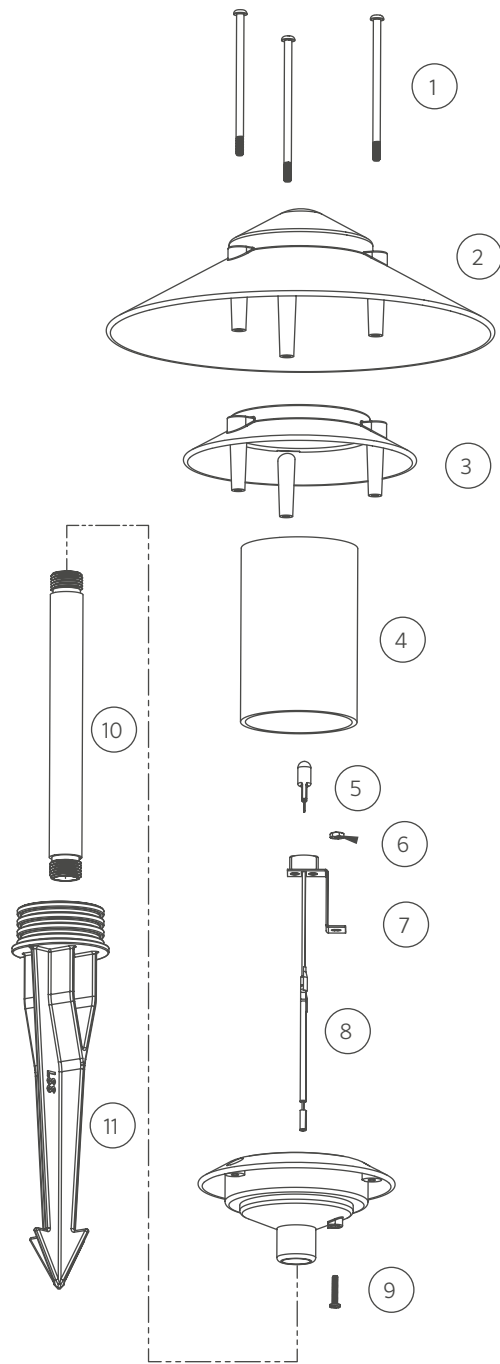
*XX = finish Code



DR 3 TIER

| ITEM | DESCRIPTION | CATALOG # |
|------|------------------------|------------------------|
| 1 | Screw, 10-24 x 3.7 | 250011520000 |
| 2 | Tier, Top | - |
| 3 | Tier, Middle | - |
| 4 | Lens | 250011530000 |
| 5 | Lamp, G4 Bi-Pin | See Lamp Chart, p. 124 |
| 6 | Nut | 250011510000 |
| 7 | Base, Tier | - |
| 8 | Socket | 250011490000 |
| 9 | Screw, 6-32 x 3/4 | 250011500000 |
| 10 | Riser, Aluminum | YYRXX* |
| 11 | Large Slot Spike (LSS) | 250015840000 |

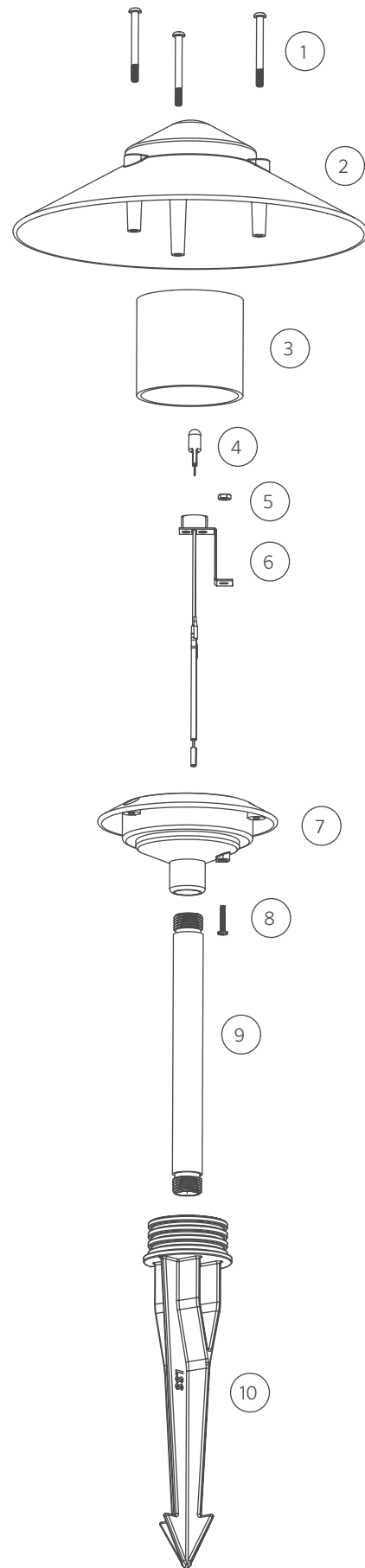
* YY = riser height in inches, XX = powder coat color code



DR 2 TIER

| ITEM | DESCRIPTION | CATALOG # |
|------|------------------------|------------------------|
| 1 | Screw, 10-24 x 2 | 250011550000 |
| 2 | Tier, Top | - |
| 3 | Lens | 250011540000 |
| 4 | Lamp, G4 Bi-Pin | See Lamp Chart, p. 124 |
| 5 | Nut | 250011510000 |
| 6 | Socket | 250011490000 |
| 7 | Base, Tier | - |
| 8 | Screw, 6-32 x 3/4 | 250011500000 |
| 9 | Riser, Aluminum | YYRXX* |
| 10 | Large Slot Spike (LSS) | 250015840000 |

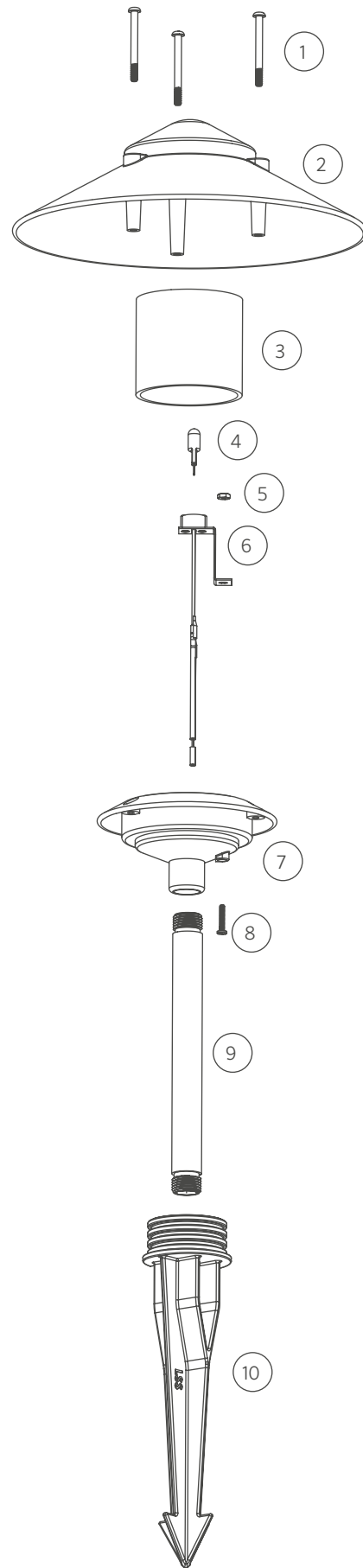
* YY = riser height in inches, XX = powder coat color code



DS 2 TIER

| ITEM | DESCRIPTION | CATALOG # |
|------|------------------------|------------------------|
| 1 | Screw, 10-24 x 2 | 250011550000 |
| 2 | Tier, Top | - |
| 3 | Lens | 250011620000 |
| 4 | Lamp, G4 Bi-Pin | See Lamp Chart, p. 124 |
| 5 | Nut | 250011510000 |
| 6 | Socket | 250011490000 |
| 7 | Base, Tier | - |
| 8 | Screw, 6-32 x 3/4 | 250011500000 |
| 9 | Riser, Aluminum | YYRXX* |
| 10 | Large Slot Spike (LSS) | 250015840000 |

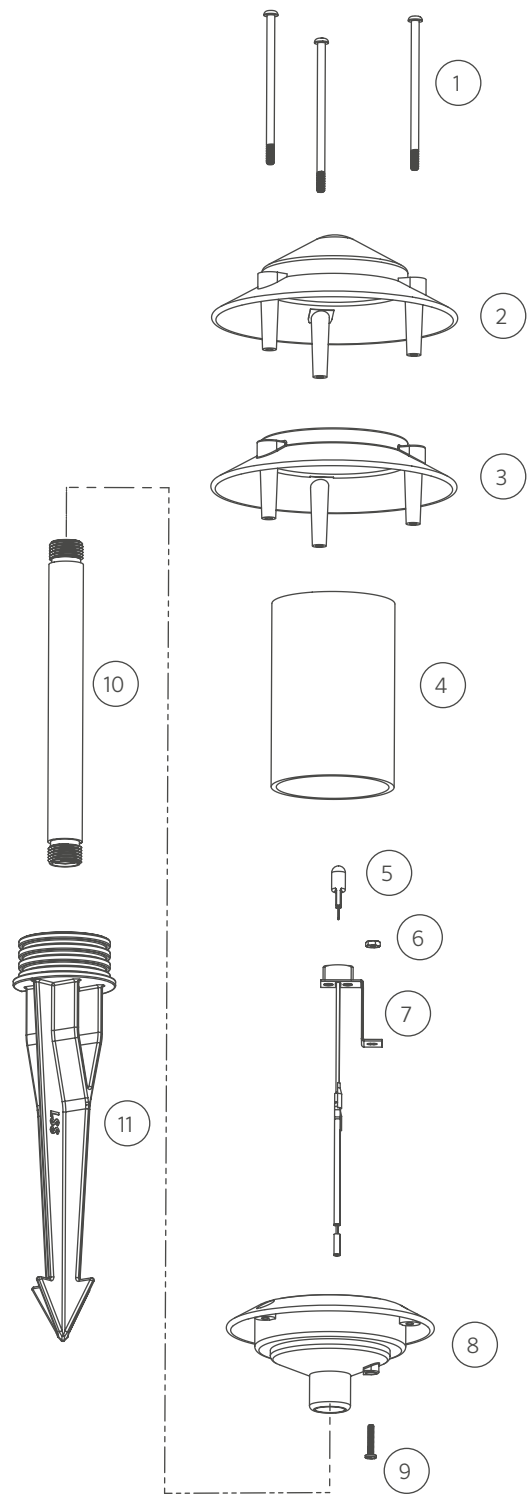
* YY = riser height in inches, XX = powder coat color code



DS 3 TIER

| ITEM | DESCRIPTION | CATALOG # |
|------|------------------------|------------------------|
| 1 | Screw, 10-24 x 3.7 | 250011520000 |
| 2 | Tier, Top | - |
| 3 | Tier, Middle | - |
| 4 | Lens | 250011610000 |
| 5 | Lamp, G4 Bi-Pin | See Lamp Chart, p. 124 |
| 6 | Nut | 250011510000 |
| 7 | Socket Assembly | 250011490000 |
| 8 | Base, Tier | - |
| 9 | Screw, 6-32 x 3/4 | 250011500000 |
| 10 | Riser, Aluminum | YYRXX* |
| 11 | Large Slot Spike (LSS) | 250015840000 |

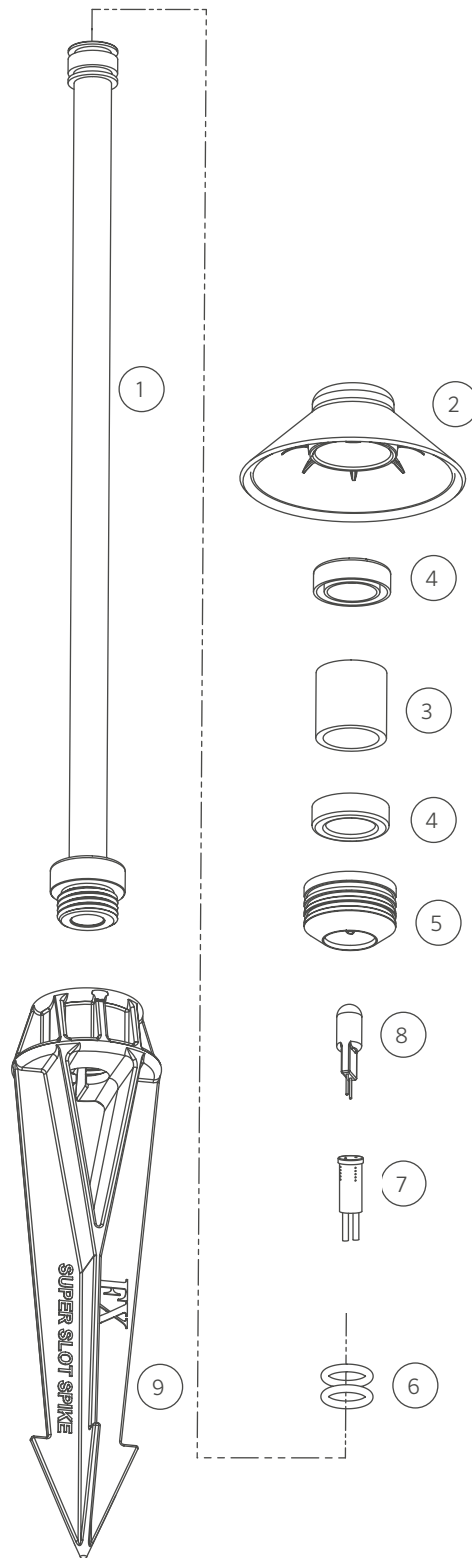
* YY = riser height in inches, XX = powder coat color code



DP

| ITEM | DESCRIPTION | CATALOG # |
|------|------------------------|------------------------|
| 1 | Riser Sub Assembly | YYRA050XX* |
| 2 | Top and Reflector | — |
| 3 | Lens | 250012080000 |
| 4 | Seal | 250012060000 |
| 5 | Reducer | - |
| 6 | O-Ring | 250010280003 |
| 7 | Socket, G4 | 754601 |
| 8 | Lamp, G4 Bi-Pin | See Lamp Chart, p. 124 |
| 9 | Super Slot Spike | 753900 |
| 2-5 | DP Top Assembly | DPTAXX* |
| | Hex Key, 5/64 Long Arm | 250010330000 |

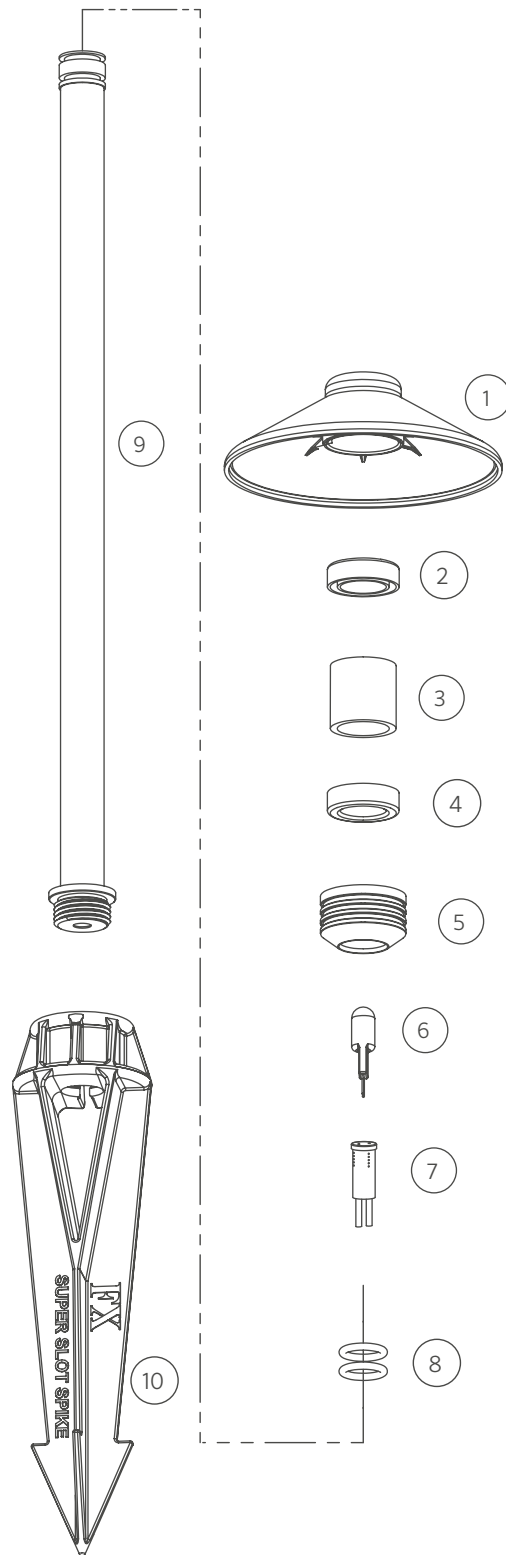
* YY = riser height in inches XX = powder coat color code



PV

| ITEM | DESCRIPTION | CATALOG # |
|------|------------------------|------------------------|
| 1 | Top and Reflector | - |
| 2 | Seal, Silicone | 250012060000 |
| 3 | Lens | 250012080000 |
| 4 | Seal, Silicone | 250012060000 |
| 5 | Reducer, Brass | - |
| 6 | Lamp, G4 Bi-Pin | See Lamp Chart, p. 124 |
| 7 | Socket, G4 | 754601 |
| 8 | O-Ring | 250010280003 |
| 9 | Riser Sub Assembly | YYRA050XX* |
| 10 | Super Slot Spike | 753900 |
| 1-5 | PV Top Assembly | PVTAXX* |
| | Hex Key, 5/64 Long Arm | 250010330000 |

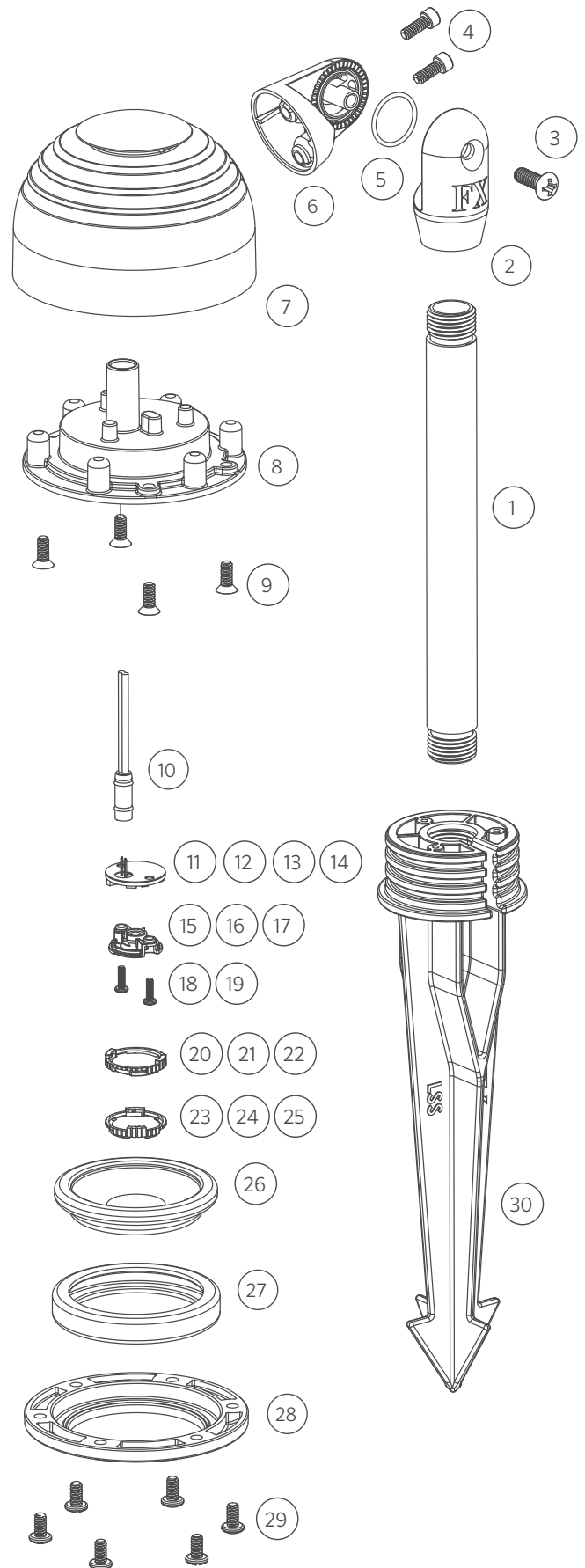
* XX = powder coat color code



RW PATH/UP LIGHT LED

| ITEM | DESCRIPTION | CATALOG # |
|-------|------------------------------|---------------|
| 1 | Riser, Aluminum | YYRXX* |
| 2 | Knuckle Subassembly (Male) | KFM050XX* |
| 2 | Knuckle Subassembly (Female) | KFF050XX* |
| 3 | Screw, 1/4-20 x 3/4 | 250010290000 |
| 4 | Screw, 10-24 x 3/8 | 250013940000 |
| 5 | O-Ring | 250010280002 |
| 6 | Base | - |
| 7 | Body | - |
| 8 | Insert | - |
| 9 | Screw | 250020010000 |
| 10 | Socket, 1.5-meter | - |
| 11-14 | LED Board | See LED Chart |
| 15-17 | Reflector | See LED Chart |
| 18-19 | Screw | See LED Chart |
| 20-22 | Color Filter | See LED Chart |
| 23-25 | Diffuser | See LED Chart |
| 26 | Glass Lens, Frosted | 250014240001 |
| 27 | Seal | 250014250000 |
| 28 | Faceplate | FCFPRGXX* |
| 29 | Screw, 10-24 x 3/8 | 250015870000 |
| 30 | Long Slot Spike | 250015840000 |

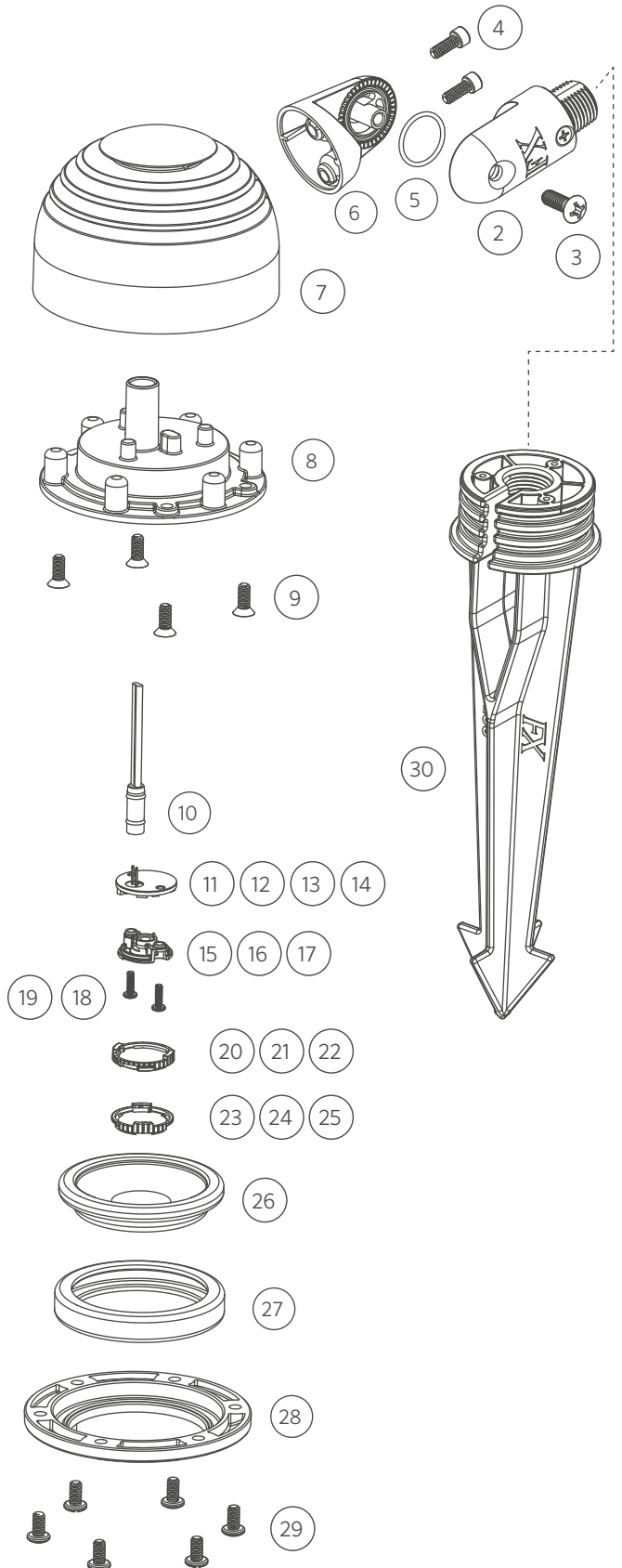
* YY = riser height in inches, XX = powder coat color code



RW LED COMPONENTS

| ITEM | DESCRIPTION | CATALOG # |
|------|---|------------------------|
| 11 | 1 LED Board | 1LEDULKIT [‡] |
| 12 | 3 LED Board | 3LEDULKIT [‡] |
| 13 | 6 LED Board | 6LEDULKIT [‡] |
| 14 | 9 LED Board | 9LEDULKIT [‡] |
| 14 | ZDC LED Board | ZDCKITL ^{**} |
| 15 | 1 LED Reflector | 770000 |
| 16 | 3 LED Reflector | 770700 |
| 17 | 6/9 LED Reflector | 771400 |
| 17 | ZDC LED Reflector | 250020690000 |
| 18 | 1/3 LED Screw, 4-40 x 3/8 (Qty Req: 2) | 762400 |
| 19 | 6/9 LED Screw, 4-40 x 7/16 (Qty Req: 3) | 250014550000 |
| 20 | 1 LED Color Filter, Amber | 770100 |
| 20 | 1 LED Color Filter, Blue | 770101 |
| 20 | 1 LED Color Filter, Green | 770102 |
| 21 | 3 LED Color Filter, Amber | 770800 |
| 21 | 3 LED Color Filter, Blue | 770801 |
| 21 | 3 LED Color Filter, Green | 770802 |
| 22 | 6/9 LED Color Filter, Amber | 771500 |
| 22 | 6/9 LED Color Filter, Blue | 771501 |
| 22 | 6/9 LED Color Filter, Green | 771502 |
| 23 | 1 LED Spot Lens (18°) | 770600 |
| 23 | 1 LED Flood Lens (30°-32°) | 1LEDFLENS |
| 23 | 1 LED Wide Flood Lens (56°-58°) | 1LEDWFLENS |
| 24 | 3 LED Spot Lens (18°) | 771300 |
| 24 | 3 LED Flood Lens (30°-32°) | 3LEDFLENS |
| 24 | 3 LED Wide Flood Lens (56°-58°) | 3LEDWFLENS |
| 25 | 6/9 LED Spot Lens (18°) | 771600 |
| 25 | 6/9 LED Flood Lens (30°-32°) | 9LEDFLENS |
| 25 | 6/9 LED Wide Flood Lens (56°-58°) | 9LEDWFLENS |

[‡] ZD = zoneable and dimmable (add ZD to front of part number)
^{**} ZDC kit includes LED board, reflector, screws, and flood lens (9LEDFLENS)

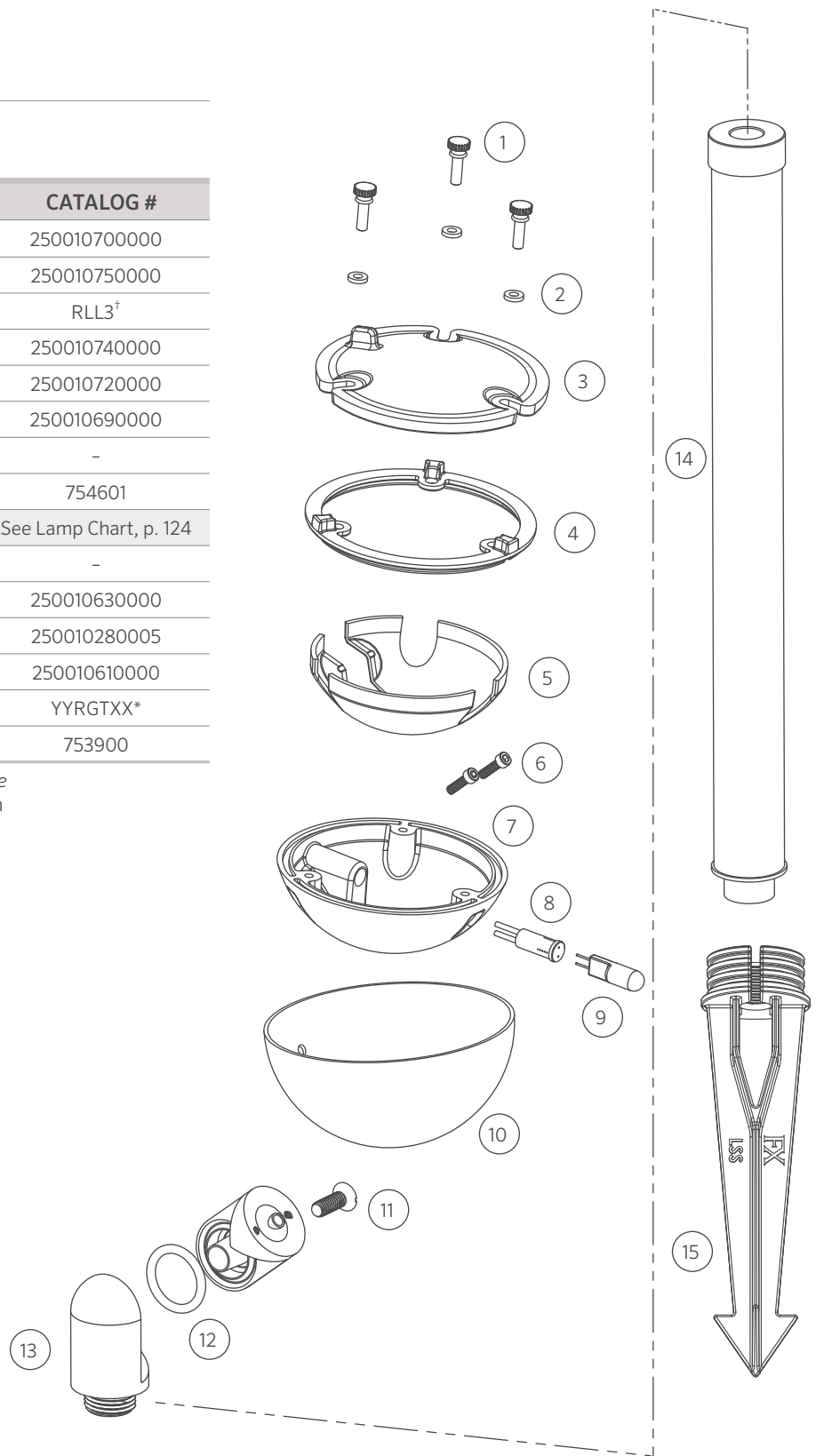


GT

| ITEM | DESCRIPTION | CATALOG # |
|------|-------------------|------------------------|
| 1 | Screw, 8-32 x 1/2 | 250010700000 |
| 2 | Washer | 250010750000 |
| 3 | Frosted Lens | RLL3 [†] |
| 4 | Seal | 250010740000 |
| 5 | Reflector | 250010720000 |
| 6 | Screw, 6-32 x 1/2 | 250010690000 |
| 7 | Body | - |
| 8 | Socket, G4 | 754601 |
| 9 | Lamp, G4 Bi-Pin | See Lamp Chart, p. 124 |
| 10 | Housing | - |
| 11 | Screw | 250010630000 |
| 12 | O-Ring | 250010280005 |
| 13 | Knuckle | 250010610000 |
| 14 | Riser Assembly | YYRGTXX* |
| 15 | Super Slot Spike | 753900 |

* YY = riser height in inches, XX = finish code

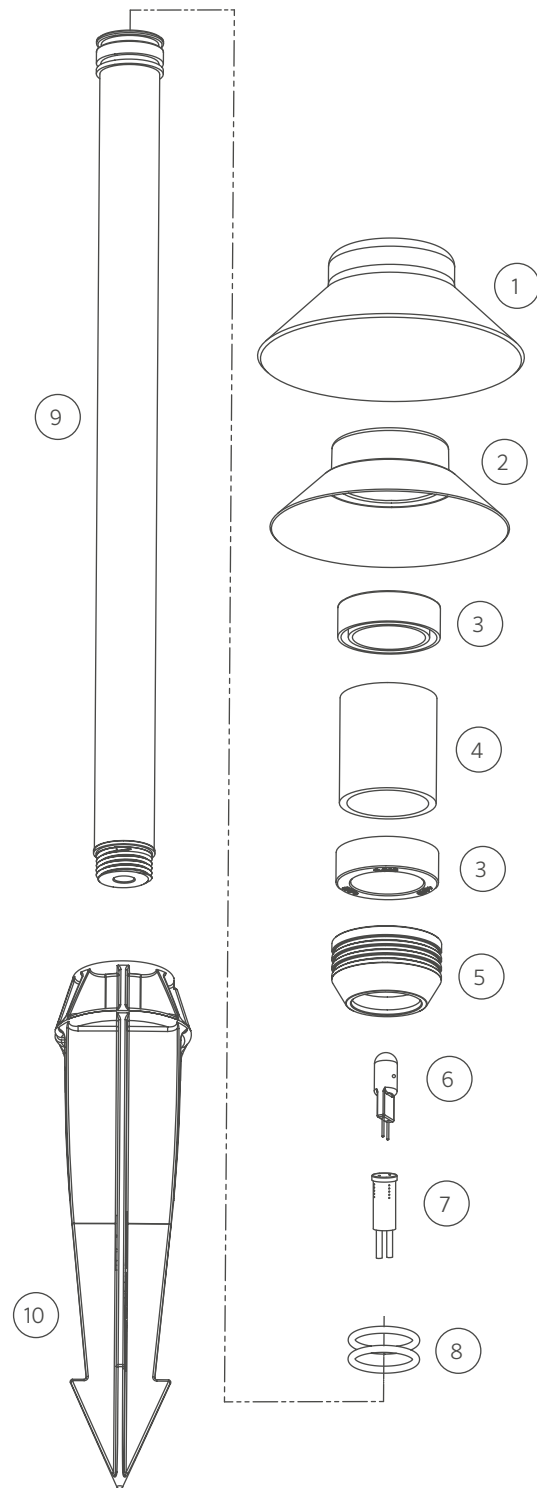
† Order RLL1 for obsolete, single-hole option



AP

| ITEM | DESCRIPTION | CATALOG # |
|------|--------------------|------------------------|
| 1 | Copper Top Shade | - |
| 2 | Reflector | 250012130000 |
| 3 | Seal, Silicone | 250012140000 |
| 4 | Lens | 250012120000 |
| 5 | Reducer | 250012090000 |
| 6 | Lamp, G4 Bi-Pin | See Lamp Chart, p. 124 |
| 7 | Socket, G4 | 754601 |
| 8 | O-Ring | 250010280004 |
| 9 | Riser Sub Assembly | YYRA075XX* |
| 10 | Super Slot Spike | 753900 |
| 1-5 | Top Assembly | APTAXX* |

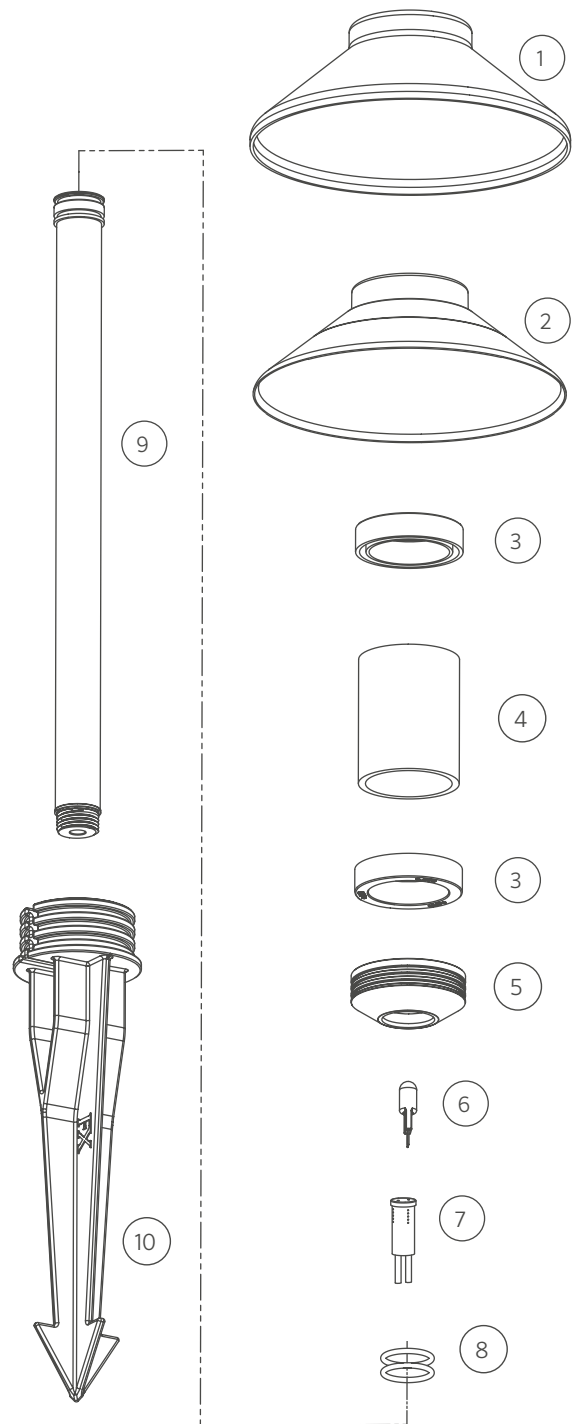
*YY = riser height in inches, XX = powder coat color code



AN

| ITEM | DESCRIPTION | CATALOG # |
|------|------------------------|------------------------|
| 1 | Top, Copper | - |
| 2 | Reflector | 250012420000 |
| 3 | Seal | 250012410000 |
| 4 | Lens | 250012400000 |
| 5 | Reducer | 250012370000 |
| 6 | Lamp, G4 Bi-Pin | See Lamp Chart, p. 124 |
| 7 | Socket, G4 | 754601 |
| 8 | O-Ring | 250010280004 |
| 9 | Riser Sub Assembly | YYRA075XX* |
| 10 | Large Slot Spike (LSS) | 250015840000 |
| 1-5 | Top Assembly | ANTAXX* |

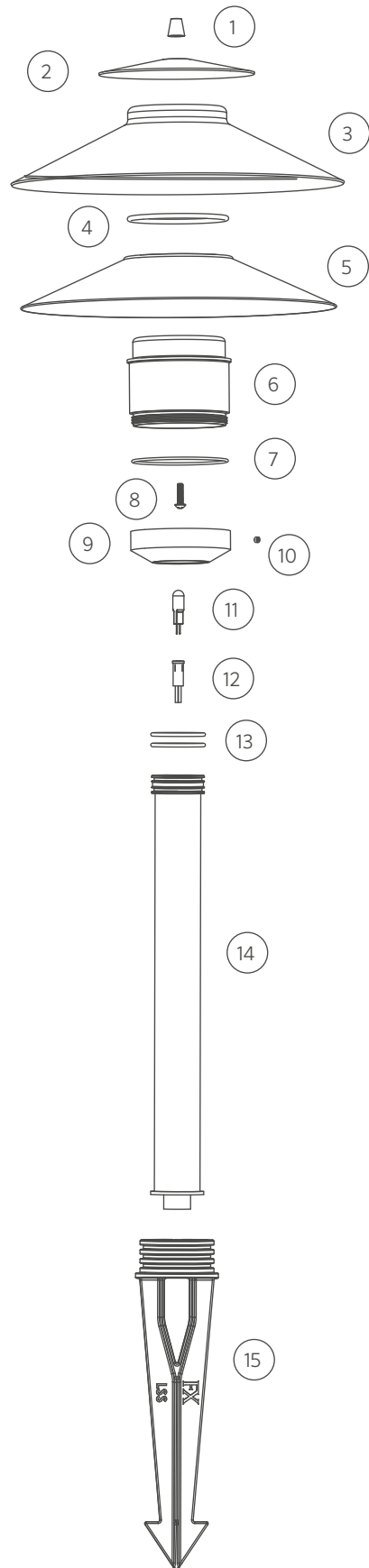
* YY = riser height in inches, XX = finish code



GN

| ITEM | DESCRIPTION | CATALOG # |
|------|------------------------|------------------------|
| 1 | Cap | 250012300000 |
| 2 | Shade, Copper | - |
| 3 | Top, Copper | - |
| 4 | O-Ring | 250010280028 |
| 5 | Reflector | 756400 |
| 6 | Lens | 756500 |
| 7 | O-Ring | 250010280027 |
| 8 | Screw, 8-32 x 5/8 | 250012390000 |
| 9 | Reducer, Brass | - |
| 10 | Screw, 8-32 x 1/8 | 250010320000 |
| 11 | Lamp, G4 Bi-Pin | See Lamp Chart, p. 124 |
| 12 | Socket, G4 | 754601 |
| 13 | O-Ring | 250010280014 |
| 14 | Riser Assembly | YYRAGNXX* |
| 15 | Large Slot Spike (LSS) | 250015840000 |
| 1-10 | Top Assembly | GNTAXX* |
| | Hex Key, 5/64 Long Arm | 250010330000 |

* YY = riser height in inches, XX = finish code

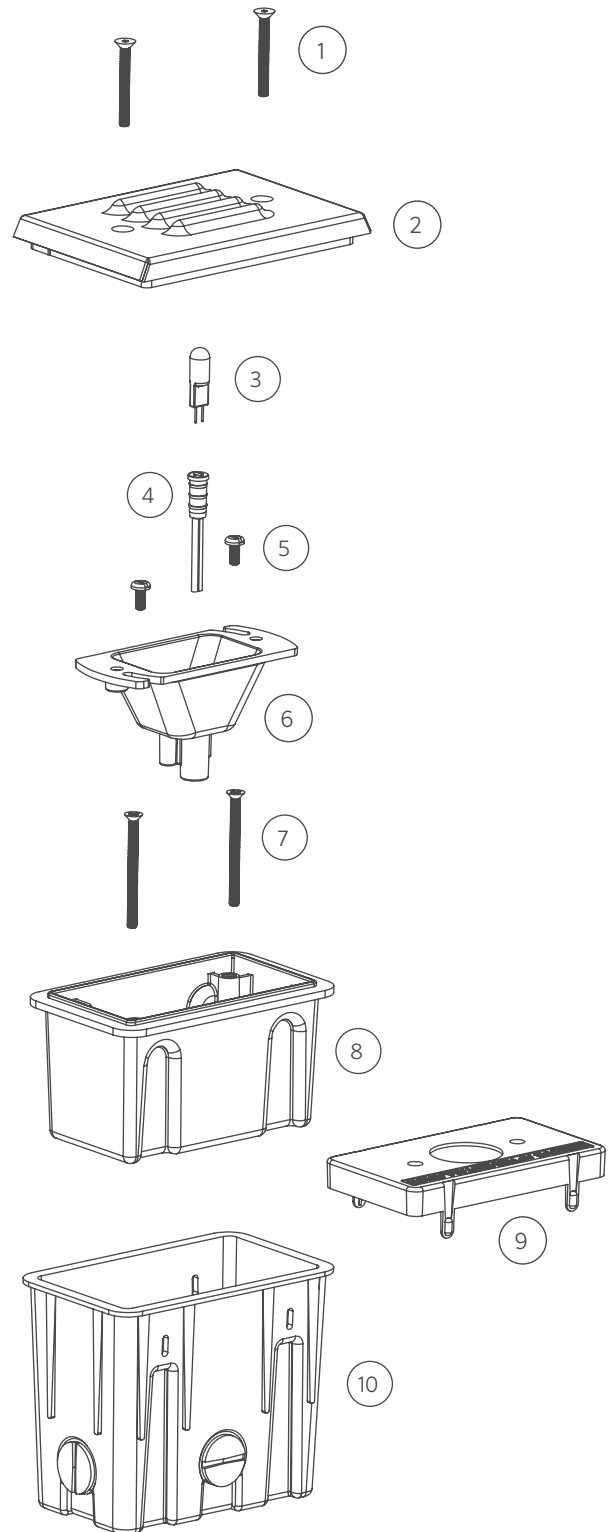


WALL LIGHTS

CP

| ITEM | DESCRIPTION | CATALOG # |
|------|-------------------------------|--------------|
| 1 | Screw, 8-32 x 1.5 | 250021670000 |
| 2 | Faceplate, Lens, and Gasket | - |
| 3 | Lamp | 250010260001 |
| 4 | Socket, G4 | 754601 |
| 5 | Screw, 8-32 x 3/8 | 250013070000 |
| 6 | Reflector | 250015750000 |
| 7 | Screw, 8-32 x 2 | 250013080000 |
| 8 | Inner Box | - |
| 9 | Sleeve Protector | - |
| 10 | Outer Sleeve | - |
| 9-10 | Sleeve and Protector Assembly | 250022040000 |
| 4-8 | Box Assembly | CPBA |
| 1-2 | Faceplate Assembly | CPFPXX* |
| | Hex Key, 3/32 Long Arm | 250013120000 |

*XX = finish code



CP LED

| ITEM | DESCRIPTION | CATALOG # |
|-------|-------------------------------|---------------|
| 1 | Screw, 8-32 x 1.5 | 250021670000 |
| 2 | Faceplate, Lens, Gasket | - |
| 3 | Screw, 8-32 x 3/8 | 250013070000 |
| 4 | Color Filter | See LED Chart |
| 5 | Screw, 4-40 x 3/8 | 762400 |
| 6 | LED Board | See LED Chart |
| 7 | Socket, 3-meter | 752601 |
| 8 | Reflector | 250015750000 |
| 9 | Screw, 8-32 x 2 | 250013080000 |
| 10 | Inner Box | - |
| 11 | Sleeve Protector | - |
| 11-12 | Sleeve and Protector Assembly | 250022040000 |
| 12 | Outer Sleeve | - |
| 3-10 | Retrofit Kit | CPLEDRETRO |
| 1-2 | Faceplate Assembly | CPFPXX* |
| | Hex Key, 3/32 Long Arm | 250013120000 |

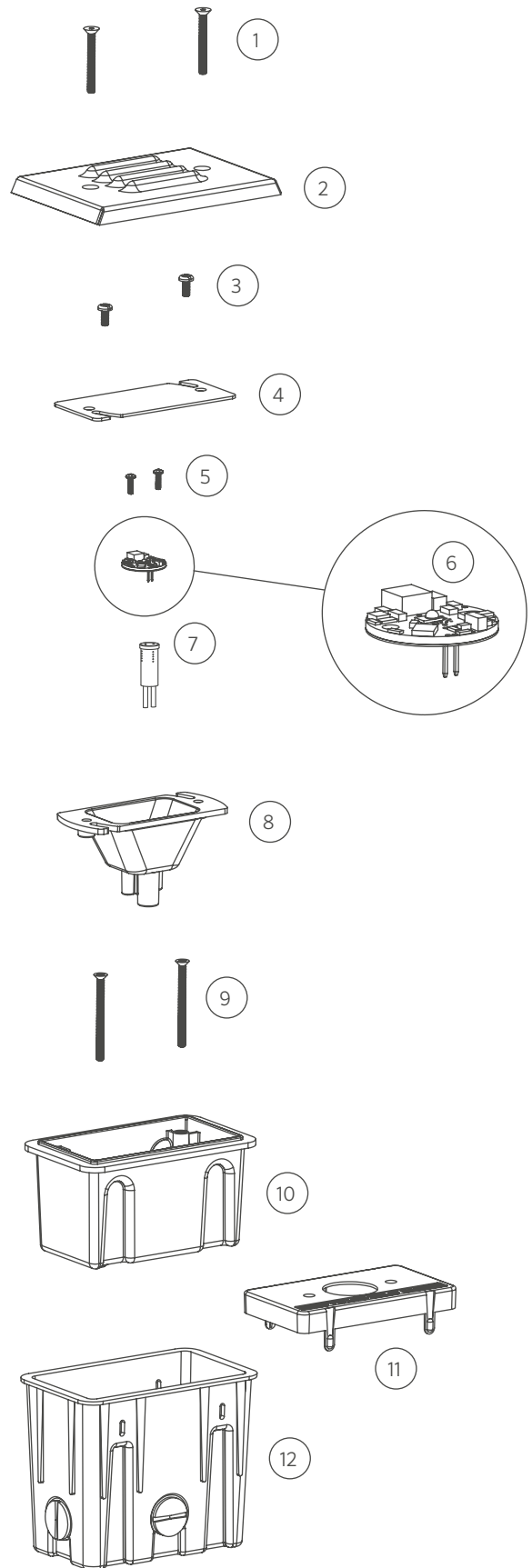
* XX = finish code

CP LED COMPONENTS

| ITEM | DESCRIPTION | CATALOG # |
|------|---------------------|------------------------|
| 4 | Color Filter, Amber | 250015770000 |
| 4 | Color Filter, Blue | 250015770001 |
| 4 | Color Filter, Green | 250015770002 |
| 6 | 1 LED Board | 1LEDULKIT [‡] |

[‡] ZD = zoneable and dimmable (add ZD to front of part number)

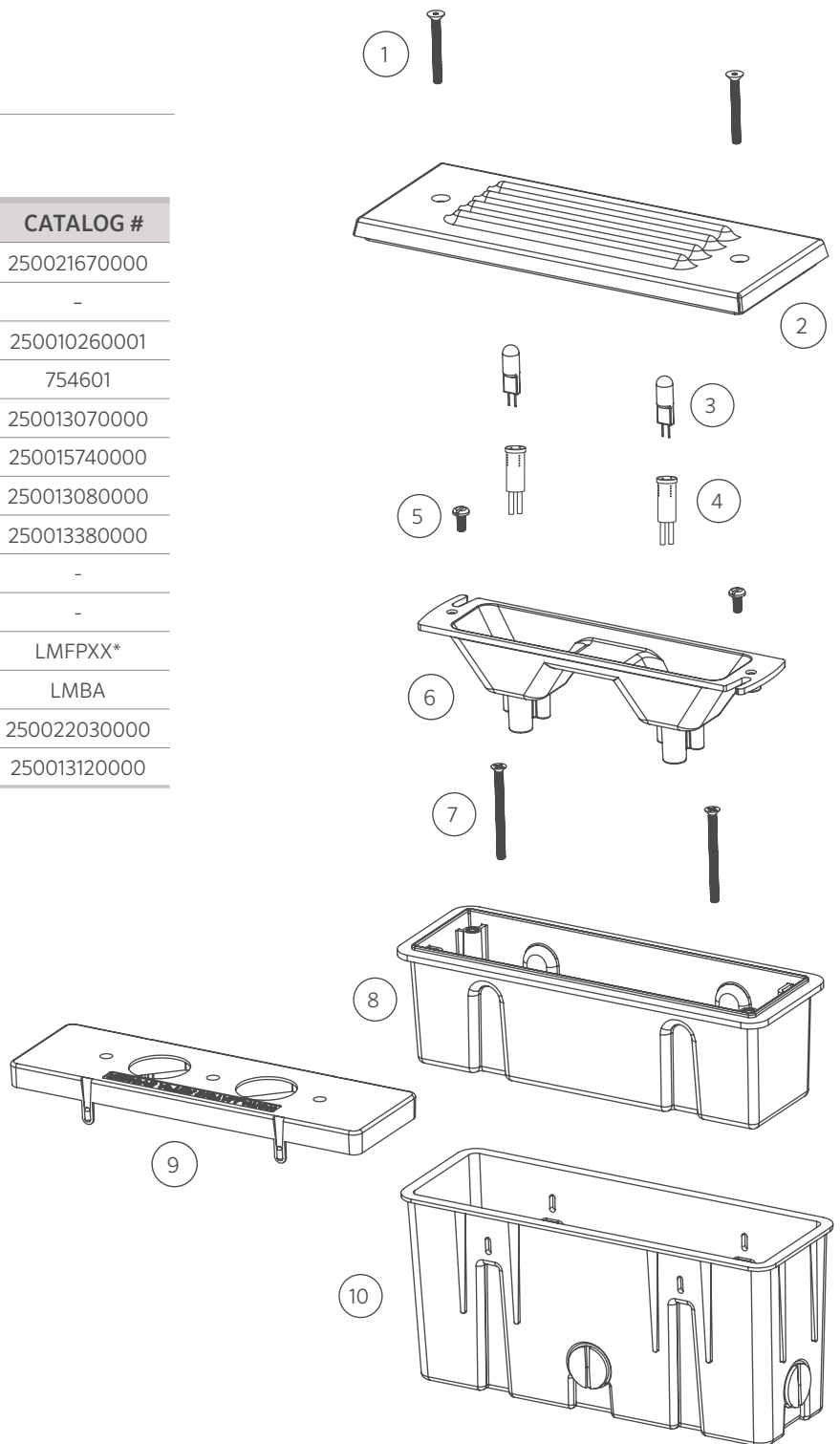
[†] Kits do not include UN/CP colored filters; must order separately



LM

| ITEM | DESCRIPTION | CATALOG # |
|------|-------------------------------|--------------|
| 1 | Screw, 8-32 x 1.5 | 250021670000 |
| 2 | Faceplate, Lens, and Gasket | - |
| 3 | Lamp | 250010260001 |
| 4 | Socket, G4 | 754601 |
| 5 | Screw, 8-32 x 3/8 | 250013070000 |
| 6 | Reflector | 250015740000 |
| 7 | Screw, 8-32 x 2.0 | 250013080000 |
| 8 | Inner Box | 250013380000 |
| 9 | Sleeve Protector | - |
| 10 | Sleeve | - |
| 1-2 | Faceplate Assembly | LMFPXX* |
| 4-8 | Box Assembly | LMBA |
| 9-10 | Sleeve and Protector Assembly | 250022030000 |
| | Hex Key, 3/32 Long Arm | 250013120000 |

* XX = finish code for faceplate



LM LED

| ITEM | DESCRIPTION | CATALOG # |
|-------|-------------------------------|---------------|
| 1 | Screw, 8-32 x 1.5 | 250021670000 |
| 2 | Faceplate, Lens, and Gasket | - |
| 3 | Screw, 4-40 x 3/8 | 762400 |
| 4 | Color Filter | See LED Chart |
| 5 | Screw, 8-32 x 3/8 | 250013070000 |
| 6 | LED Board | See LED Chart |
| 7 | Socket, 3-meter | 752601 |
| 8 | Reflector | 250015740000 |
| 9 | Screw, 8-32 x 2.0 | 250013080000 |
| 10 | Inner Box | - |
| 11 | Sleeve Protector | - |
| 12 | Sleeve | - |
| 1-2 | Faceplate Assembly | LMFPXX* |
| 4-10 | LED Retrofit Kit | LMLEDRETRO |
| 11-12 | Sleeve and Protector Assembly | 250022030000 |
| | Hex Key, 3/32 Long Arm | 250013120000 |

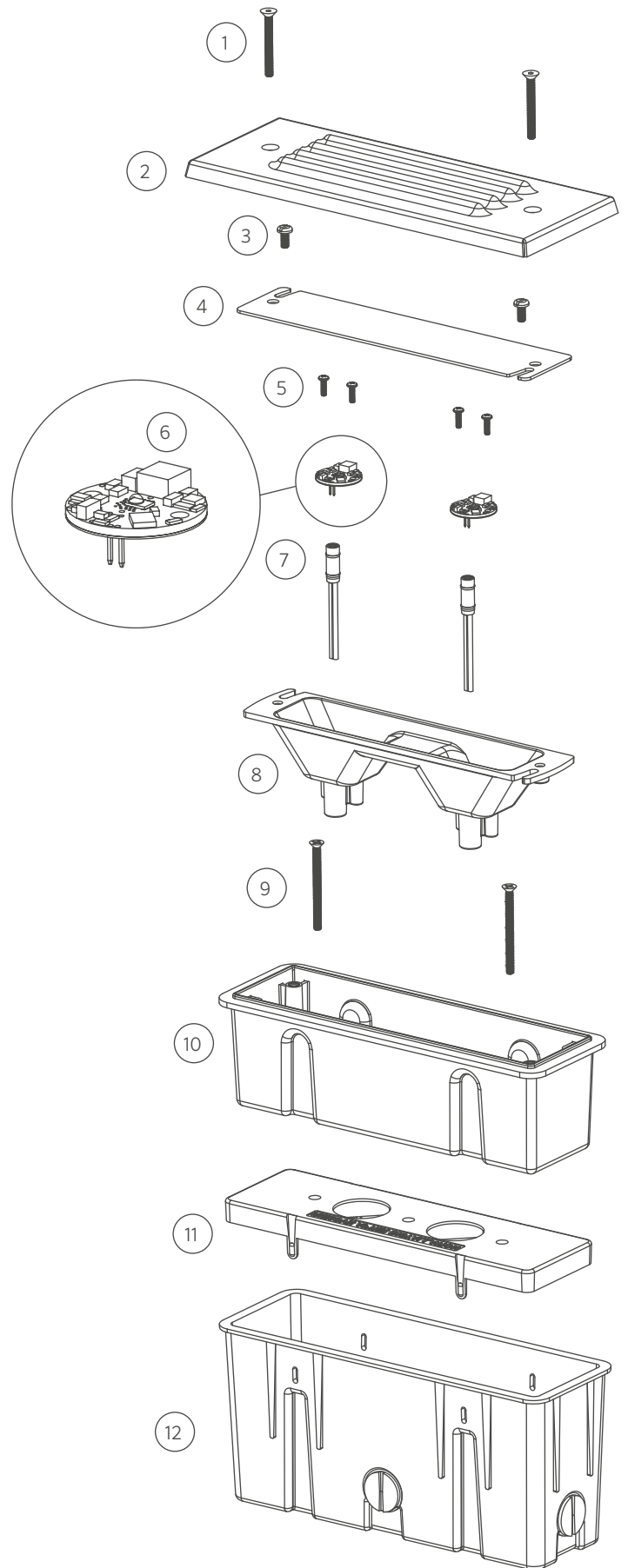
*XX = finish code for faceplate

LM LED COMPONENTS

| ITEM | DESCRIPTION | CATALOG # |
|------|---------------------|------------------------|
| 4 | Color Filter, Amber | 250015760000 |
| 4 | Color Filter, Blue | 250015760001 |
| 4 | Color Filter, Green | 250015760002 |
| 6 | 1 LED Board | 1LEDULKIT [‡] |

[‡] ZD = zoneable and dimmable (add ZD to front of part number)

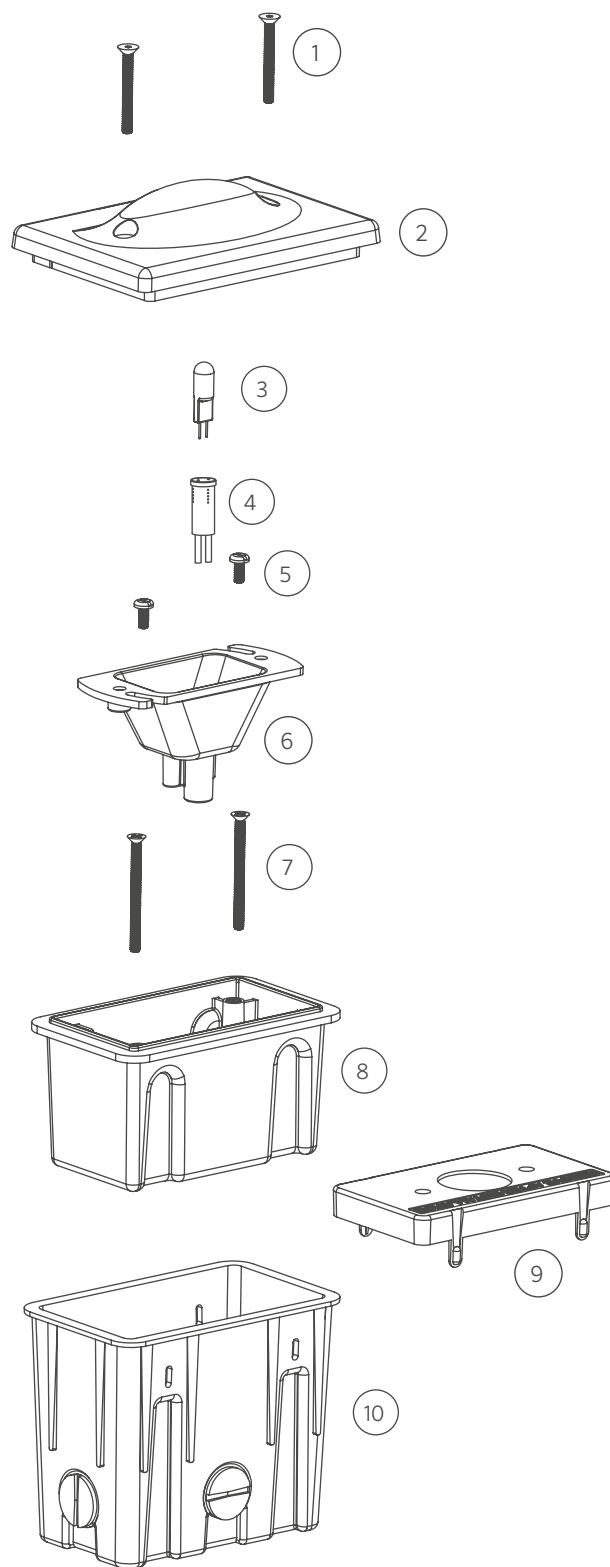
[†] Kits do not include LM/PD colored filters; must order separately



UN

| ITEM | DESCRIPTION | CATALOG # |
|------|-------------------------------|--------------|
| 1 | Screw, 8-32 x 1.5 | 250021670000 |
| 2 | Faceplate, Lens, and Gasket | - |
| 3 | Lamp, Xenon | 250010260001 |
| 4 | Socket, G4 | 754601 |
| 5 | Screw, 8-32 x 3/8 | 250013070000 |
| 6 | Reflector | 250015750000 |
| 7 | Screw, 8-32 x 2.0 | 250013080000 |
| 8 | Inner Box | - |
| 9 | Sleeve Protector | - |
| 10 | Outer Sleeve | - |
| 9-10 | Sleeve and Protector Assembly | 250022040000 |
| 4-8 | Box Assembly | CPBA |
| 1-2 | Faceplate Assembly | UNFPXX* |
| | Hex Key, 3/32 Long Arm | 250013120000 |

* XX = finish code for faceplate



UN LED

| ITEM | DESCRIPTION | CATALOG # |
|-------|-------------------------------|---------------|
| 1 | Screw, 8-32 x 1.5 | 250021670000 |
| 2 | Faceplate, Lens, and Gasket | - |
| 3 | Screw | 250013070000 |
| 4 | Color Filter | See LED Chart |
| 5 | Screw | 762400 |
| 6 | LED Board | See LED Chart |
| 7 | Socket, 3-meter | 752601 |
| 8 | Reflector | 250015750000 |
| 9 | Screw, 8-32 x 2.0 | 250013080000 |
| 10 | Inner Box | - |
| 11-12 | Sleeve and Protector Assembly | 250022040000 |
| 11 | Sleeve Protector | - |
| 12 | Outer Sleeve | - |
| 3-10 | LED Retrofit Kit | CPLEDRETRO |
| 1-2 | Faceplate Assembly | UNFPXX* |
| | Hex Key, 3/32 Long Arm | 250013120000 |

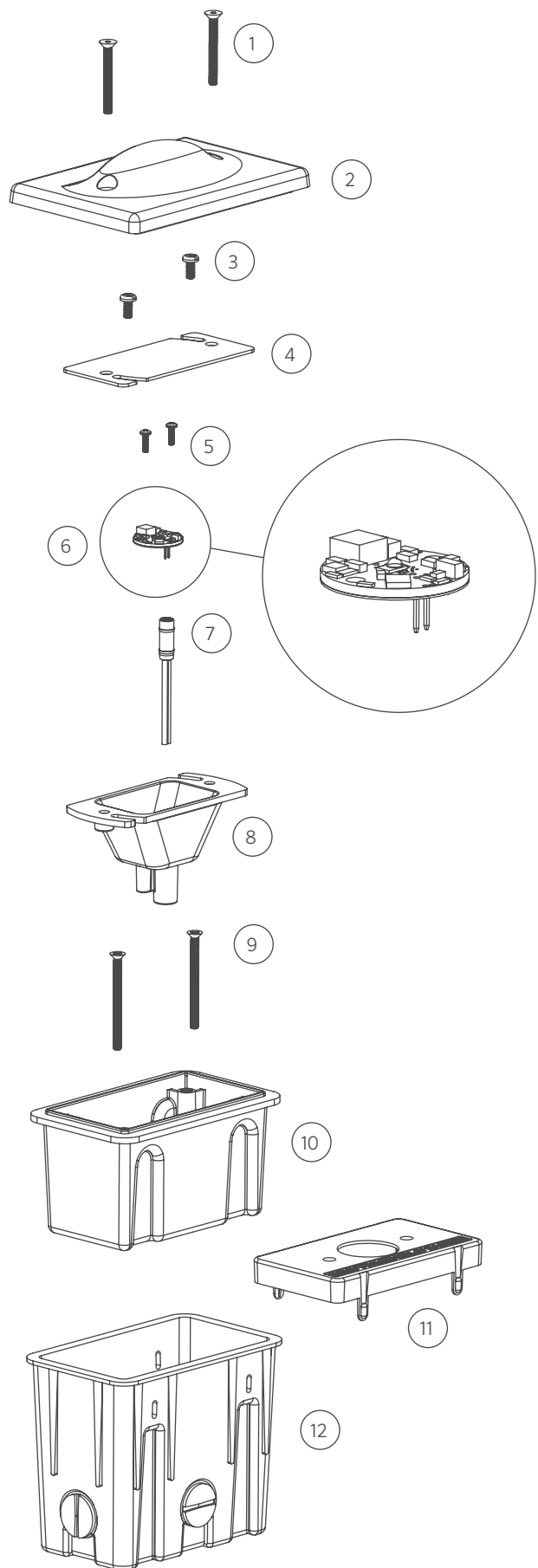
* XX = finish code for faceplate

UN LED COMPONENTS

| ITEM | DESCRIPTION | CATALOG # |
|------|---------------------|------------------------|
| 4 | Color Filter, Amber | 250015770000 |
| 4 | Color Filter, Blue | 250015770001 |
| 4 | Color Filter, Green | 250015770002 |
| 6 | 1 LED Board | 1LEDULKIT [†] |

[‡] ZD = zoneable and dimmable (add ZD to front of part number)

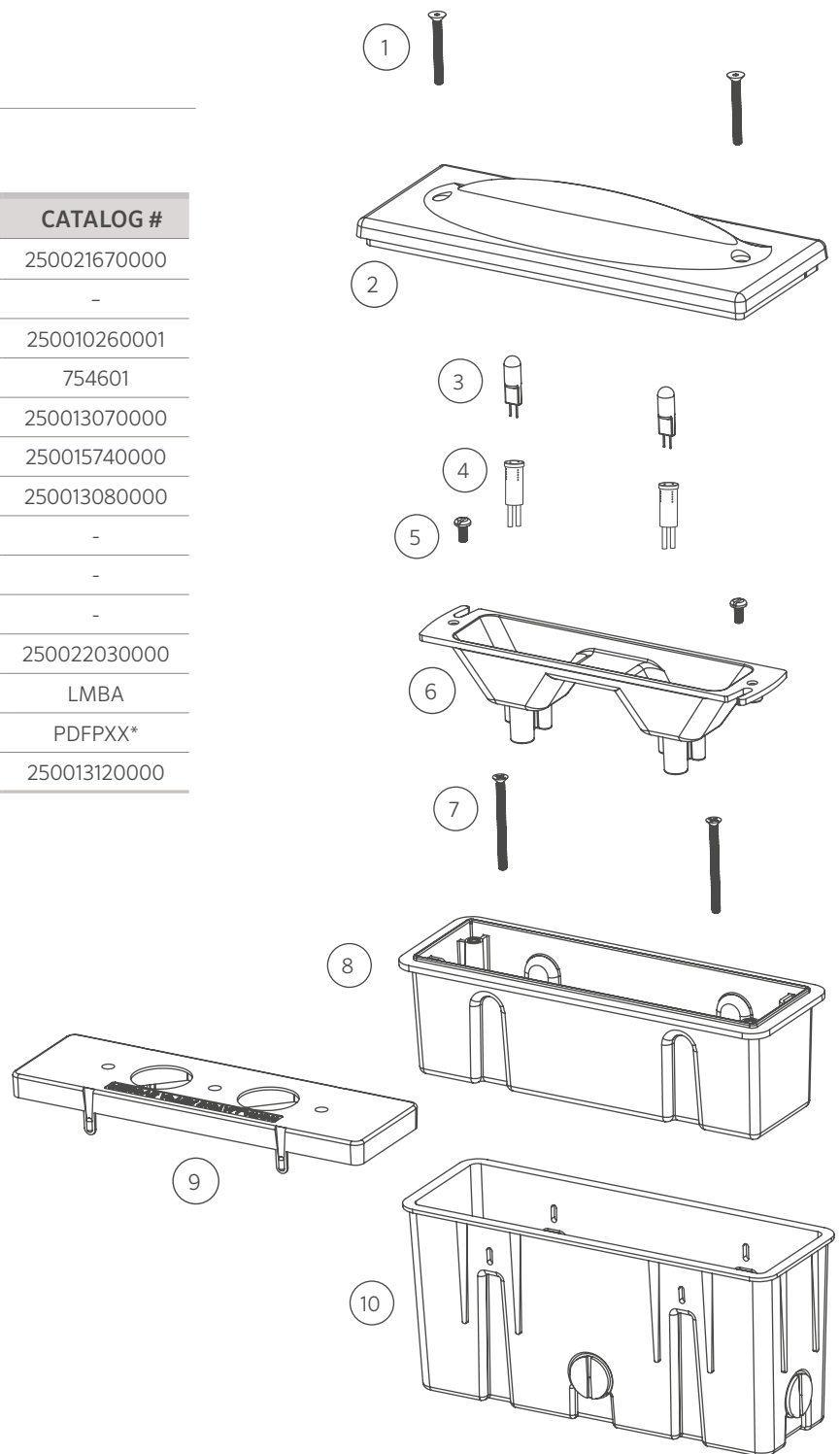
[†] Kits do not include UN/CP colored filters; must order separately



PD

| ITEM | DESCRIPTION | CATALOG # |
|------|-------------------------------|--------------|
| 1 | Screw, 8-32 x 1.5 | 250021670000 |
| 2 | Faceplate, Lens, and Gasket | - |
| 3 | Lamp, Xenon | 250010260001 |
| 4 | Socket, G4 | 754601 |
| 5 | Screw, 8-32 x 3/8 | 250013070000 |
| 6 | Reflector | 250015740000 |
| 7 | Screw, 8-32 x 2.0 | 250013080000 |
| 8 | Inner Box | - |
| 9 | Sleeve Protector | - |
| 10 | Outer Sleeve | - |
| 9-10 | Sleeve and Protector Assembly | 250022030000 |
| 4-8 | Box Assembly | LMBA |
| 1-2 | Faceplate Assembly | PDFPXX* |
| | Hex Key, 3/32 Long Arm | 250013120000 |

*XX = finish code for faceplate



PD LED

| ITEM | DESCRIPTION | CATALOG # |
|-------|-------------------------------|---------------|
| 1 | Screw, 8-32 x 1.5 | 250021670000 |
| 2 | Faceplate | - |
| 3 | Screw | 250015770000 |
| 4 | Color Filter | See LED Chart |
| 5 | Screw | 762400 |
| 6 | LED Board | See LED Chart |
| 7 | Socket | 752601 |
| 8 | Reflector | 250015750000 |
| 9 | Screw, 8-32 x 2.0 | 250013080000 |
| 10 | Inner Box | 250013380000 |
| 11 | Sleeve Protector | - |
| 12 | Outer Sleeve | - |
| 11-12 | Sleeve and Protector Assembly | 250022030000 |
| 3-10 | LED Retrofit Kit | LMLEDRETRO |
| 1-2 | Faceplate Assembly | PDFPXX* |
| | Hex Key, 3/32 Long Arm | 250013120000 |

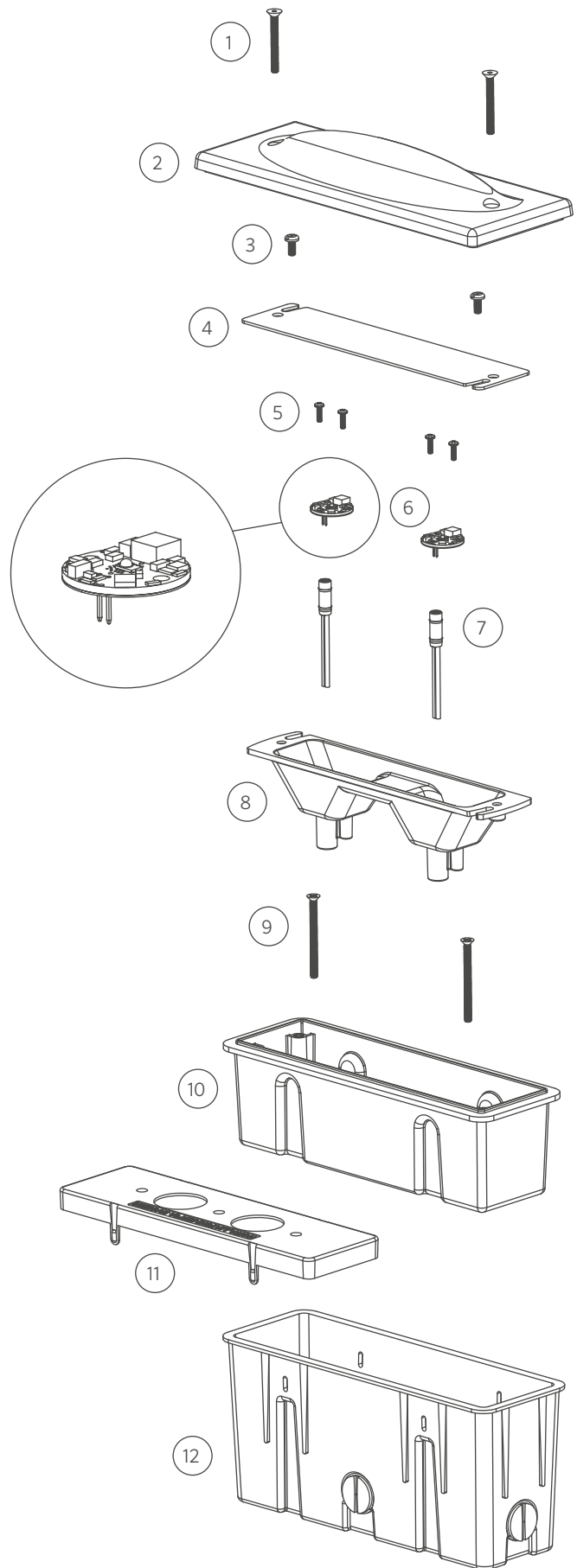
* XX = finish code for faceplate

PD LED COMPONENTS

| ITEM | DESCRIPTION | CATALOG # |
|------|---------------------|------------------------|
| 4 | Color Filter, Amber | 250015760000 |
| 4 | Color Filter, Blue | 250015760001 |
| 4 | Color Filter, Green | 250015760002 |
| 6 | 1 LED Board | 1LEDULKIT [†] |

[‡] ZD = zoneable and dimmable (add ZD to front of part number)

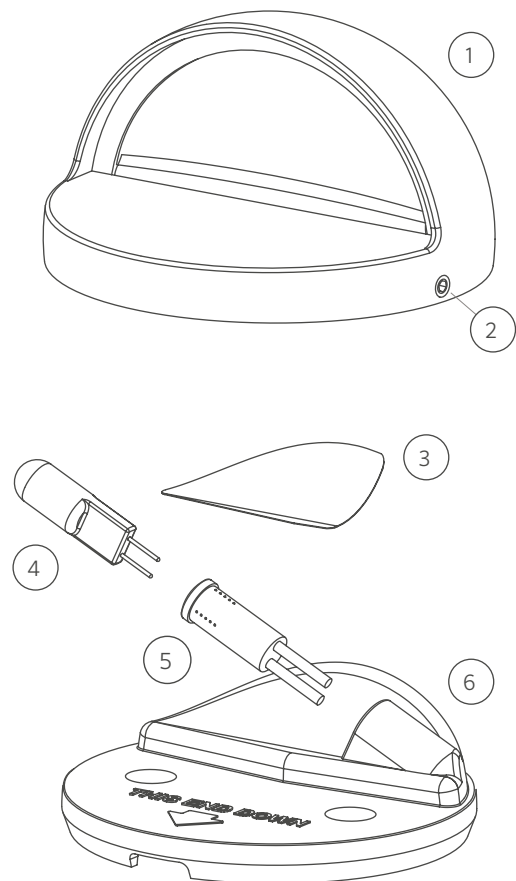
[†] Kits do not include PD/LM colored filters; must order separately



MM

| ITEM | DESCRIPTION | CATALOG # |
|------|----------------------------|--------------|
| 1 | Faceplate, Lens and Screws | MMFPXX* |
| 2 | Screw, 8-32 x 1/8 | 250010320000 |
| 3 | Reflector | - |
| 4 | Lamp, Xenon | 250010260001 |
| 5 | Socket, G4 | 250010730000 |
| 6 | Housing | - |
| | Hex Key, 5/64 Long Arm | 250010330000 |

*XX = powder coat color code for faceplate



MS LED

| ITEM | DESCRIPTION | CATALOG # |
|------|------------------------------|---------------|
| 1 | Faceplate and Screws | MSFPXX* |
| 2 | Screw, 8-32 x 1/8 | 250010320000 |
| 3 | Housing | - |
| 4 | Socket, 3-meter | 752601 |
| 5 | LED Board | See LED Chart |
| 6 | Screw, 4-40 x 3/8 | 762400 |
| 7 | Gasket | 250015520000 |
| 8 | Color Filter - Frosted/Amber | See LED Chart |
| 9 | Screw, 6-32 x 3/8 | 250014810000 |
| | Hex Key, 5/64 Long Arm | 250010330000 |

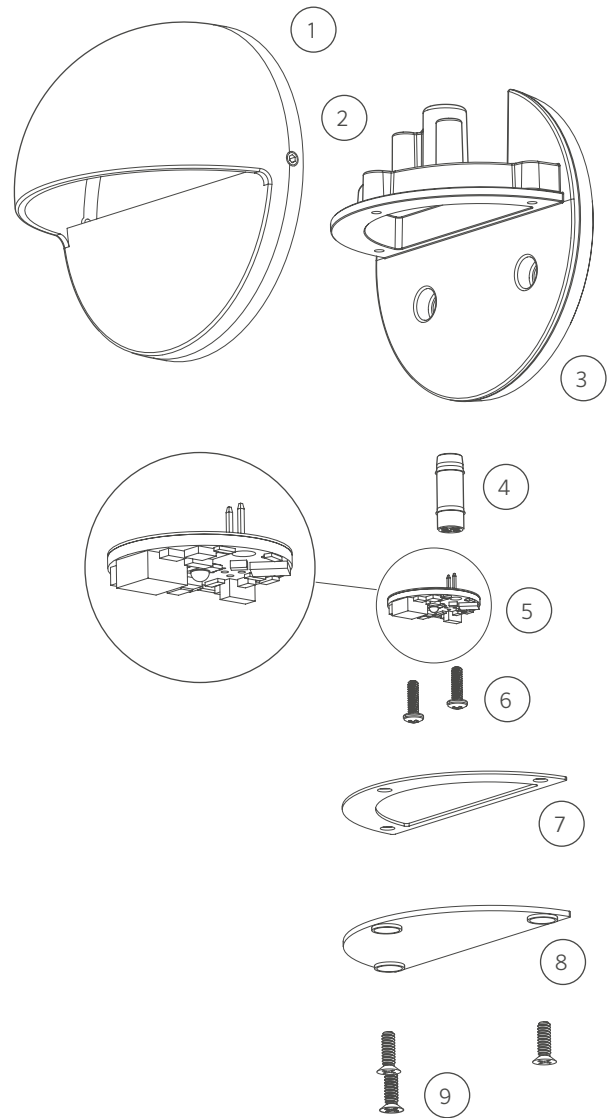
*XX = powder coat color code for faceplate

MS LED COMPONENTS

| ITEM | DESCRIPTION | CATALOG # |
|------|-----------------------|--------------|
| 5 | 1 LED Board | 1LEDULKIT†† |
| 8 | Color Filter, Frosted | 250015530000 |
| 8 | Color Filter, Amber | 250015530001 |

‡ ZD = zoneable and dimmable (add ZD to front of part number)

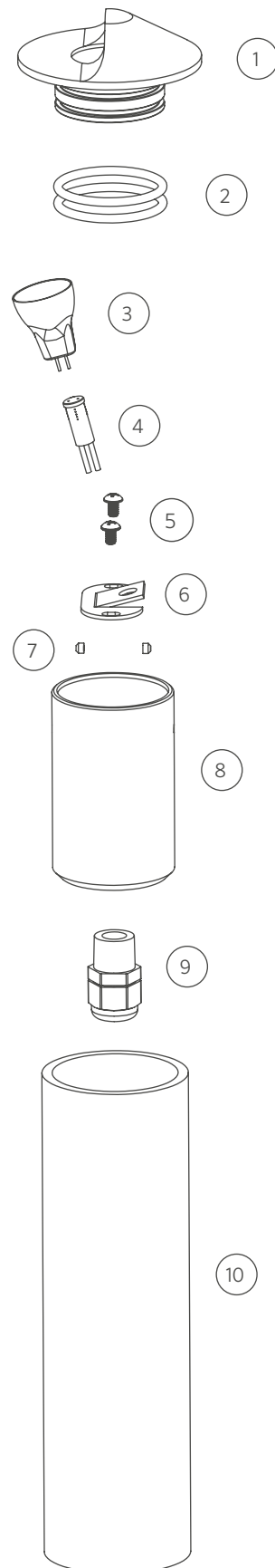
† Kits do not include MS colored filters; must order separately



CG

| ITEM | DESCRIPTION | CATALOG # |
|------|-----------------------------|--------------|
| 1 | Faceplate and Lens | - |
| 2 | O-Ring | 250010280000 |
| 3 | Lamp | 250010490000 |
| 4 | Socket, G4 | 250010730000 |
| 5 | Screw, 8-32 x ¼ | 250013660000 |
| 6 | Bracket | 250013630000 |
| 7 | Screw, 8-32 x ⅛ | 250010320000 |
| 8 | Brass Body | - |
| 9 | Cord Grip | 250010320000 |
| 10 | 2" PVC Conduit, Schedule 40 | 250013670000 |
| 1-2 | Faceplate Assembly | CGFPXX* |
| | Hex Key, 5/64 Long Arm | 250010330000 |

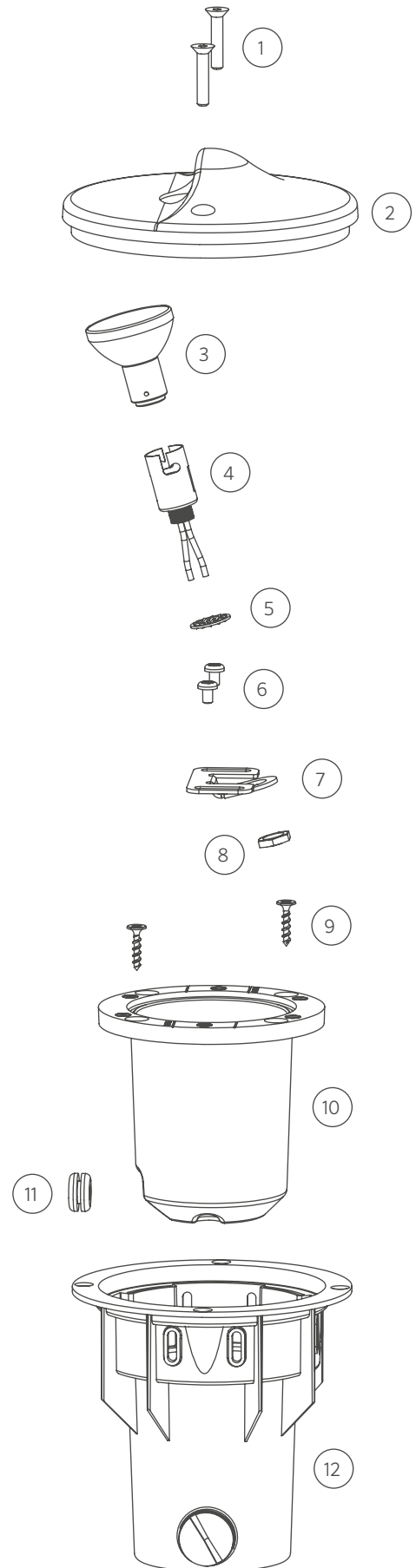
* XX = finish code for faceplate



ML

| ITEM | DESCRIPTION | CATALOG # |
|------|-----------------------------|--------------|
| 1 | Screw, 10-24 x 1.0 | 250013560000 |
| 2 | Faceplate, Lens, and Gasket | - |
| 3 | Lamp, MR-11 | 250010240000 |
| 4 | Socket Assembly | 250012890000 |
| 5 | Washer | 250013590000 |
| 6 | Screw, 8-32 x 1/4 | 250011710000 |
| 7 | Bracket | 250013530000 |
| 8 | Brass Nut | 250012970000 |
| 9 | Screw, 6 x 1.5 | 250013060000 |
| 10 | Inner Sleeve | 250013510000 |
| 11 | Grommet | 250013570000 |
| 12 | Outer Housing | 250013520000 |
| 1-2 | Faceplate Assembly | MLFPXX* |
| | Hex Key, 1/8" Short arm | 250013580000 |

*XX = powder coat color code for faceplate



PO LED

| ITEM | DESCRIPTION | CATALOG # |
|----------|------------------------------|---------------|
| 1 | Faceplate, Round (RO) | - |
| 2 | Faceplate, Spot (ST) | - |
| 3 | Frosted Lens | - |
| 4 | Faceplate, Square (SQ) | - |
| 5 | Faceplate, Wash (WW) | - |
| 6 | Reflector | - |
| 7 | Lens, Wall Wash Only | - |
| 8 | Sleeve | 250018590000 |
| 9 | Body | - |
| 10 | O-Ring | 250010280005 |
| 11 | Socket, 3-meter | - |
| 12 | LED Board | See LED Chart |
| 13 | Screw, 4-40 x 3/8 | 762400 |
| 14 | Color Filter | See LED Chart |
| 15 | O-Ring | 250010280016 |
| 1, 3, 15 | Round Faceplate Assembly | PORDFPXX* |
| 2-3, 15 | Spot Faceplate Assembly | POSTFPXX* |
| 3-4, 15 | Square Faceplate Assembly | POSQFPXX* |
| 5-7, 15 | Wall Wash Faceplate Assembly | POWWFPXX* |

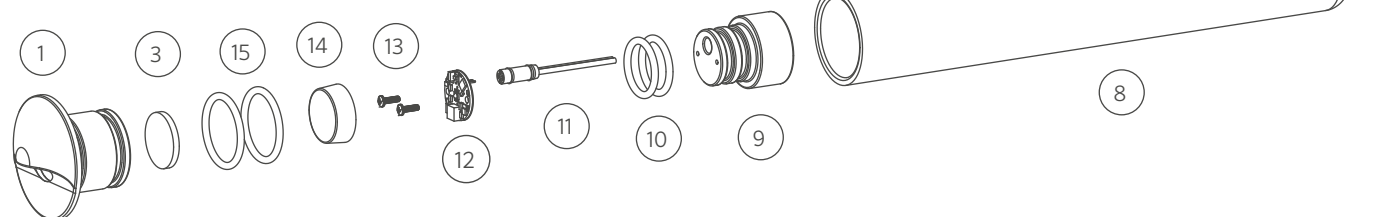
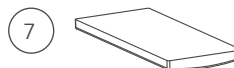
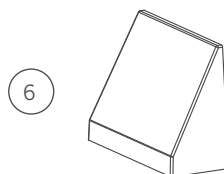
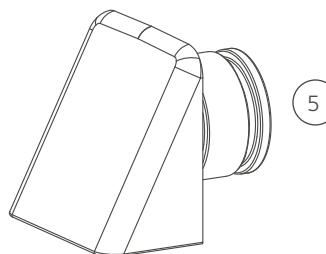
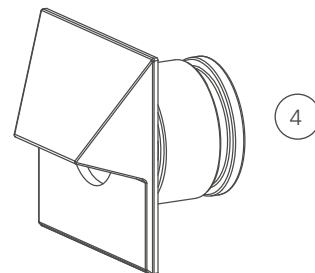
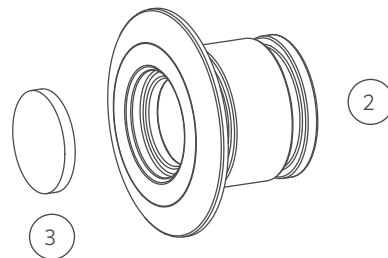
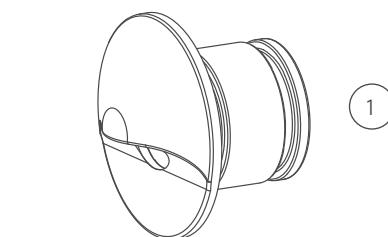
*XX = finish color code for faceplate

PO LED COMPONENTS

| ITEM | DESCRIPTION | CATALOG # |
|------|---------------------|--------------|
| 12 | 1 LED Board | 1LEDULKIT† |
| 14 | Color Filter, Amber | 250015900000 |
| 14 | Color Filter, Blue | 250015900001 |
| 14 | Color Filter, Green | 250015900002 |

‡ ZD = zoneable and dimmable (add ZD to front of part number)

† Kits do not include PO colored filters; must order separately



MO LED

| ITEM | DESCRIPTION | CATALOG # |
|----------|--------------------------------|---------------|
| 1 | Faceplate, Round (RO) | - |
| 2 | Faceplate, Spot (ST) | - |
| 3 | Frosted Lens | - |
| 4 | Faceplate, Square (SQ) | - |
| 5 | Faceplate, Wash (WW) | - |
| 6 | Reflector | - |
| 7 | Lens, Wall Wash Only | - |
| 8 | Sleeve, MO | 250020600000 |
| 9 | Body | - |
| 10 | O-Ring | 250010280016 |
| 11 | Socket, 3-meter | - |
| 12 | LED Board | See LED Chart |
| 13 | Screw, 4-40 x 3/8 (Qty Req: 2) | 762400 |
| 14 | Color Filter | See LED Chart |
| 15 | O-Ring | 250010280006 |
| 1, 3, 15 | Round Faceplate Assembly | MOFPRDXX* |
| 2-3, 15 | Spot Faceplate Assembly | MOFPSTXX* |
| 3-4, 15 | Square Faceplate Assembly | MOFPSQXX* |
| 5-7, 15 | Wall Wash Faceplate Assembly | MOFPWWXX* |

*XX = finish color code for faceplate

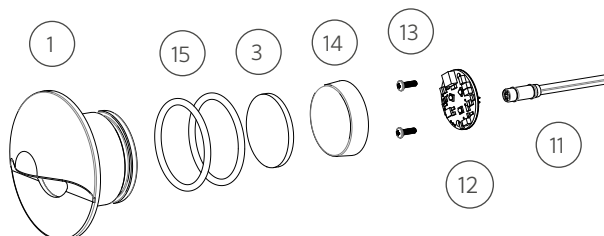
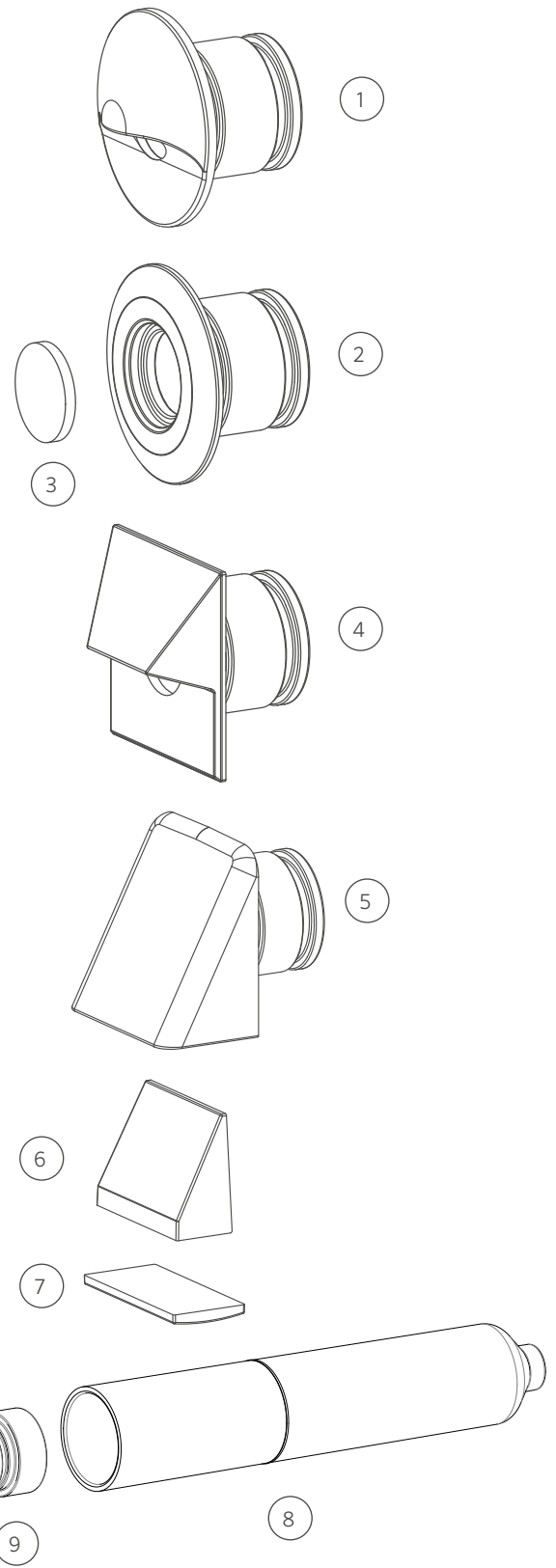
MO LED COMPONENTS

| ITEM | DESCRIPTION | CATALOG # |
|------|---------------------|--------------|
| 12 | 1 LED Board | 1LEDULKIT*† |
| 12 | 3 LED Board | 3LEDULKIT*† |
| 12 | ZDC LED Board | ZDCKITM** |
| 14 | Color Filter, Amber | 250020630000 |
| 14 | Color Filter, Blue | 250020630001 |
| 14 | Color Filter, Green | 250020630002 |

* ZD = zoneable and dimmable (add ZD to front of part number)

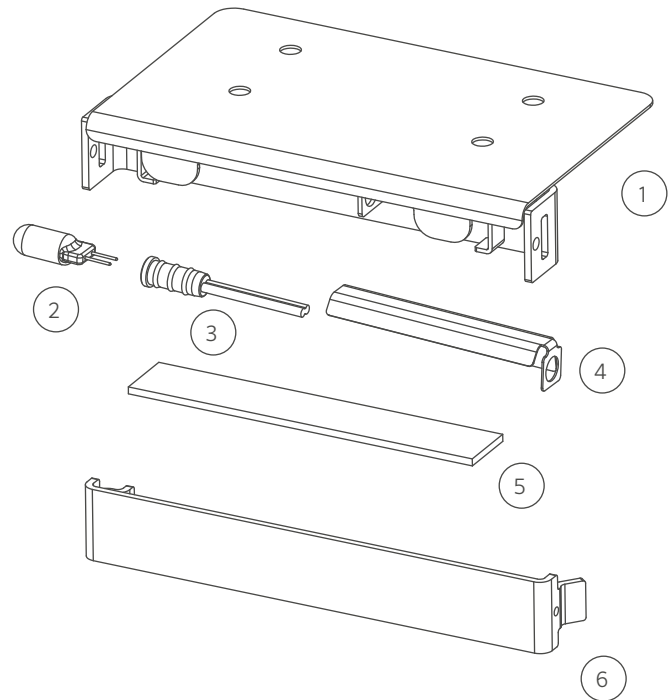
** ZDC kit includes LED board, reflector, screws, and flood lens (3LEDFLLENS)

† Kits do not include MO colored filters; must order separately



BP

| ITEM | DESCRIPTION | CATALOG # |
|------|------------------------|---------------------|
| 1 | Plate/Bracket Assembly | - |
| 2 | Lamp | 250010260001 |
| 3 | Socket | 754600 |
| 4 | Reflector | 754100 |
| 5 | Lens, Glass | 754500 |
| 6 | Faceplate | See Faceplate Chart |

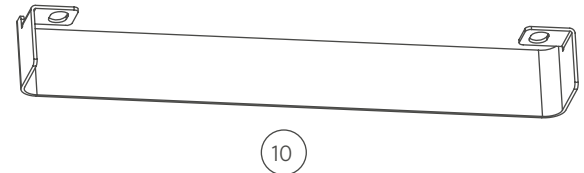
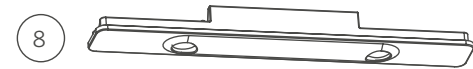
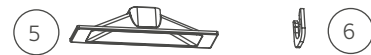
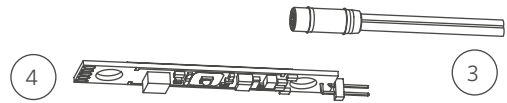
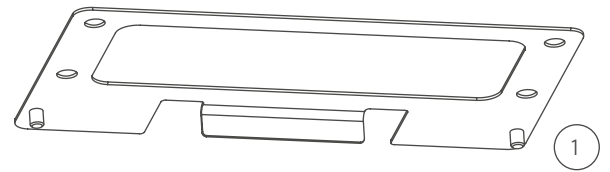


BP FACEPLATES

| ITEM | DESCRIPTION | CATALOG # |
|------|-----------------|-----------|
| 6 | Brass | 754000 |
| 6 | Copper | 754800 |
| 6 | Stainless Steel | 756600 |
| 6 | Bronze Metallic | 756701 |
| 6 | Black Wrinkle | 756702 |
| 6 | Verde Speckle | 756703 |
| 6 | White Wrinkle | 756704 |
| 6 | Desert Granite | 756706 |
| 6 | Sedona Brown | 756707 |
| 6 | Weathered Iron | 756709 |
| 6 | Flat Black | 756714 |
| 6 | Flat White | 756715 |
| 6 | White Gloss | 756716 |
| 6 | Almond | 756719 |

LF LED

| ITEM | DESCRIPTION | CATALOG # |
|------|-----------------------------|---------------------------|
| 1 | Mounting Plate | 755300 |
| 2 | Housing | - |
| 3 | Socket, 3-meter | 752601 |
| 4 | LED Board - Standard/ZD/ZDC | 755902/755901/ ZDCKITR |
| 5 | Reflector | 755700 |
| 6 | Socket Clip | 755800 |
| 7 | O-Ring | 250010280000 |
| 8 | Lens - Frosted/Amber | 755600/755601 |
| 9 | Screw, 6-32 x 3/8 | 250014810000 |
| 10 | Faceplate | See Faceplate Chart |
| 11 | Acorn Nut | 250014800000 |



LF FACEPLATES

| ITEM | DESCRIPTION | CATALOG # |
|------|-------------------------|-----------|
| 10 | Bronze | 757001 |
| 10 | Black Wrinkle | 757002 |
| 10 | Verde Speckle | 757003 |
| 10 | White Wrinkle | 757004 |
| 10 | Desert Granite | 757006 |
| 10 | Sedona Brown | 757007 |
| 10 | Weathered Iron | 757009 |
| 10 | Flat Black | 757014 |
| 10 | Flat White | 757015 |
| 10 | White Gloss | 757016 |
| 10 | Almond | 757019 |
| 10 | Silver | 757021 |
| 10 | Copper | 756800 |
| 10 | Stainless Steel | 756900 |
| 10 | Antique Bronze, Brass | 755412 |
| 10 | Antique Bronze, Copper | 756812 |
| 10 | Brass | 755400 |
| 10 | Antique Tumbled, Brass | 755420 |
| 10 | Antique Tumbled, Copper | 756820 |

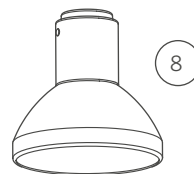
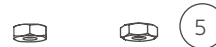
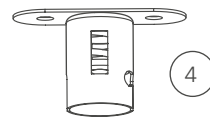
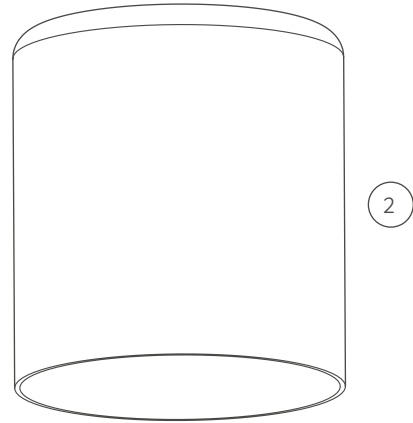
DOWN LIGHTS

CL

| ITEM | DESCRIPTION | CATALOG # |
|------|-------------------|----------------|
| 1 | Screw, 6-32 x 3/4 | 250011500000 |
| 2 | Copper Can | - |
| 3 | Coupling | 250013920000 |
| 4 | Socket | 250013910000 |
| 5 | Nut | 250011510000 |
| 6 | O-Ring | 250010280019 |
| 7 | Reflector | - |
| 8 | Lamp | See Lamp Chart |

LAMP Chart

| DESCRIPTION | CATALOG # |
|-------------------------------------|--------------|
| Lamp, AR-11, 20W, F, 18°, 2,000 Hrs | 250010240001 |
| Lamp, AR-11, 20W, F 32°, 2,000 Hrs | 250010240002 |
| Lamp, AR-11, 35W, 10°, 2,000 Hrs | 250010240003 |
| Lamp, AR-11, 35W, 30°, 2,000 Hrs | 250010240004 |
| Lamp, AR-20, 50W, 10°, 2,000 Hrs | 250010240005 |
| Lamp, AR-20, 50W, F, 25°, 2,000 Hrs | 250010240006 |

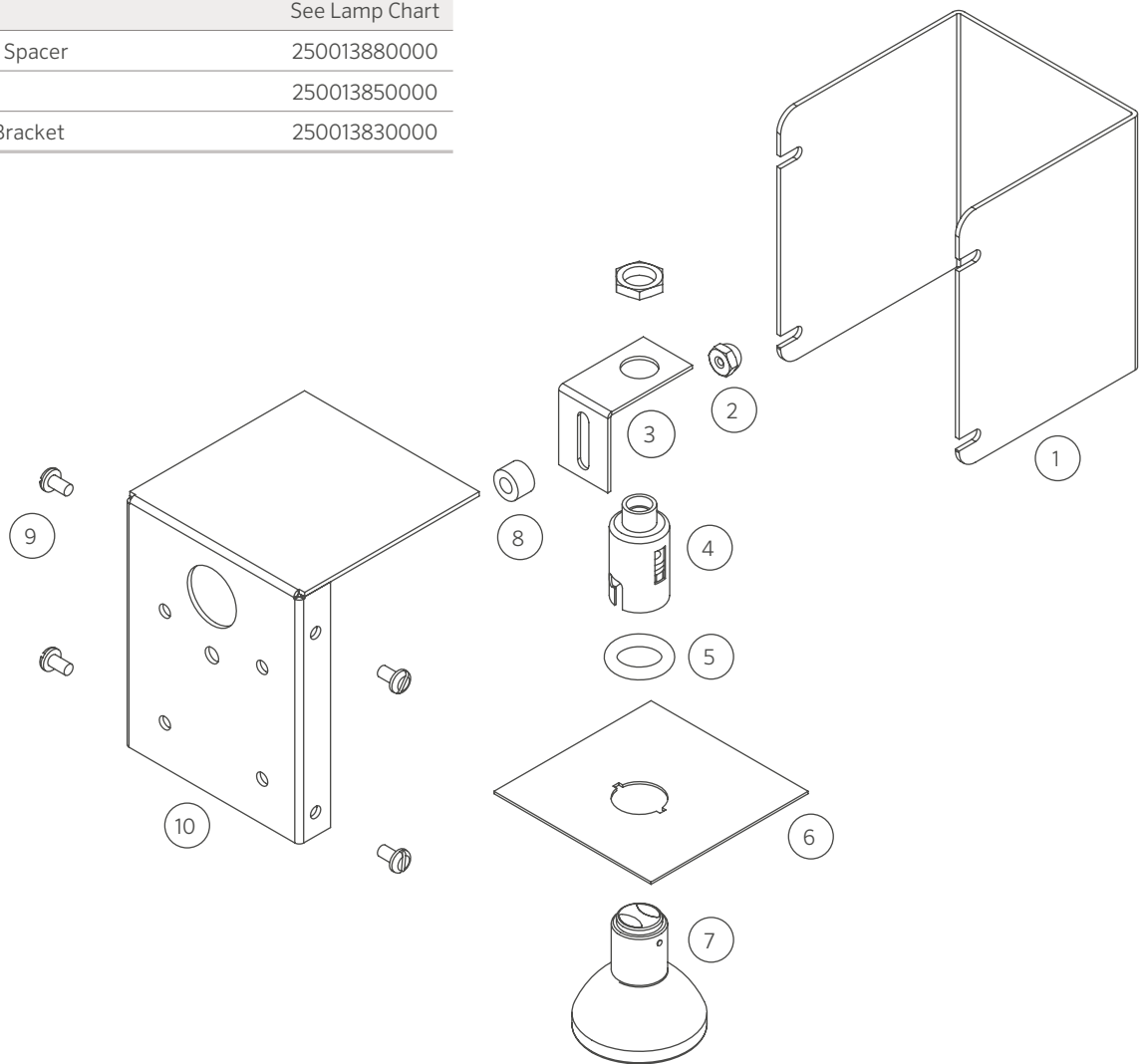


TC

| ITEM | DESCRIPTION | CATALOG # |
|------|------------------|----------------|
| 1 | Cover | - |
| 2 | Nut | 250013860000 |
| 3 | Clip | 250014870000 |
| 4 | Socket | 250012890000 |
| 5 | O-Ring | 250010280019 |
| 6 | Copper Shroud | - |
| 7 | Lamp | See Lamp Chart |
| 8 | Aluminum Spacer | 250013880000 |
| 9 | Screw | 250013850000 |
| 10 | Copper L-Bracket | 250013830000 |

LAMP Chart

| DESCRIPTION | CATALOG # |
|------------------------------------|--------------|
| Lamp, AR-11, 20W, F 18°, 2,000 Hrs | 250010260001 |
| Lamp, AR-11, 20W, F 32°, 2,000 Hrs | 250010260002 |
| Lamp, AR-11 35W, 10°, 2,000 Hrs | 250010260003 |
| Lamp, AR-11 35W, 30°, 2k Hrs | 250010250000 |

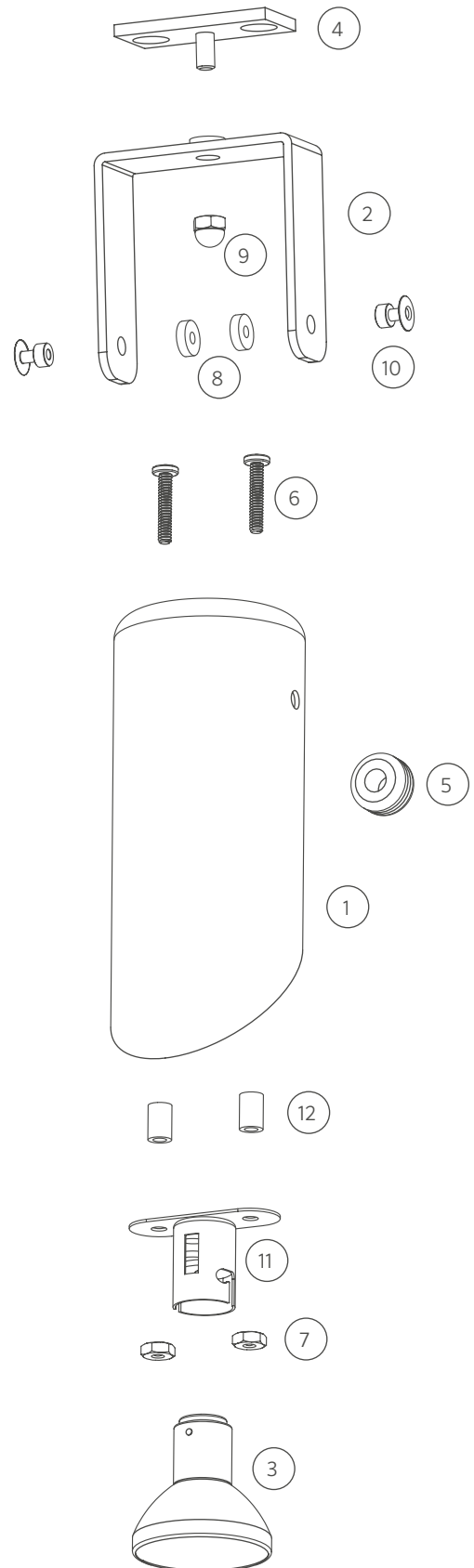


TS

| ITEM | DESCRIPTION | CATALOG # |
|------|---------------------|----------------|
| 1 | Copper Shroud | - |
| 2 | Copper Bracket | - |
| 3 | Lamp | See Lamp Chart |
| 4 | Copper Wall Bracket | - |
| 5 | Rubber Grommet | 250013570000 |
| 6 | Screw, 6-32 x 3/4 | 250011500000 |
| 7 | Nut | 250011510000 |
| 8 | Washer | 250014080000 |
| 9 | Nut | 250014130000 |
| 11 | Socket | 250013910000 |
| 10 | Coupling | 250013920000 |

LAMP Chart

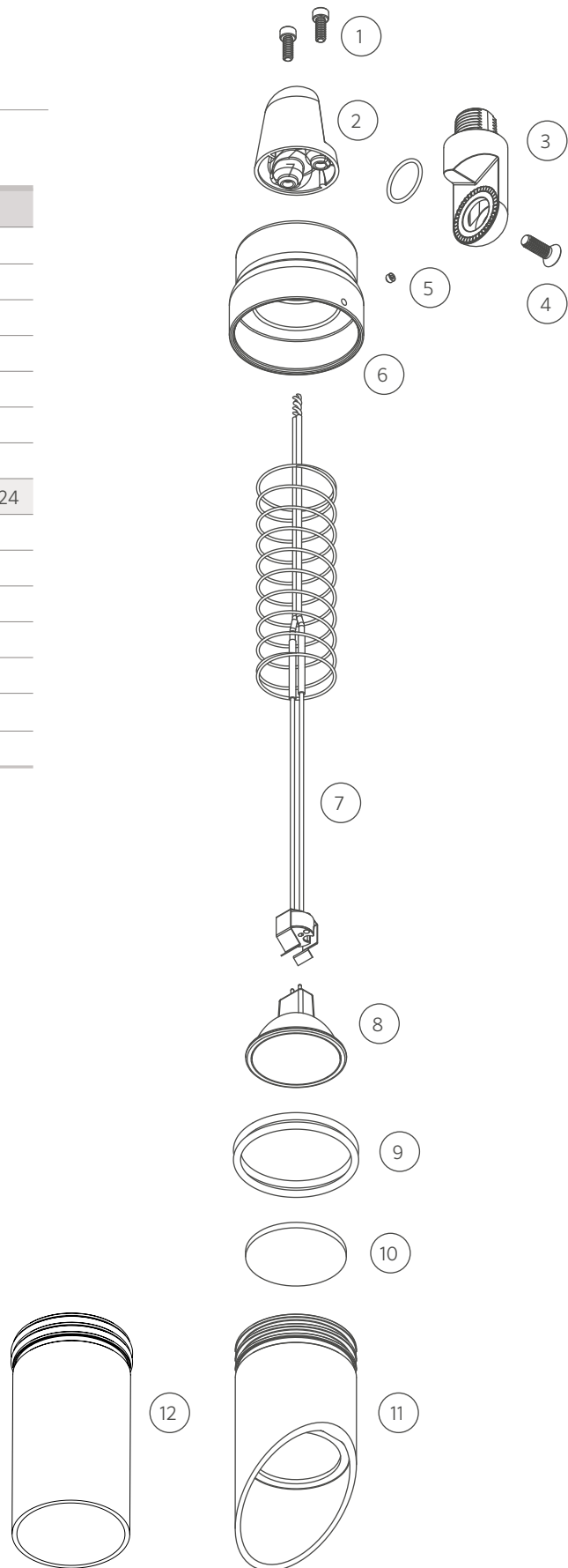
| DESCRIPTION | CATALOG # |
|-------------------------------------|--------------|
| Lamp, AR-11, 20W, F 18 deg 2k hours | 250010240001 |
| Lamp, AR-11 20 W F 32 deg 2K hours | 250010240002 |
| Lamp, AR-11 35 W 10 deg 2k hours | 250010240003 |
| Lamp, AR-11 35 W 30 deg 2k hours | 250010240004 |
| Lamp, AR-20 50 W 10 deg 2K hours | 250010240005 |
| Lamp, AR-20 50 W F 25 deg 2K hours | 250010240006 |



MD

| ITEM | DESCRIPTION | CATALOG # |
|-------------|------------------------------------|------------------------|
| 1 | Screw, 10-24 x 3/8 | 250013940000 |
| 2 | Base | - |
| 3 | Knuckle Subassembly | KFM050XX* |
| 4 | Screw, 1/4-20 x 3/4 | 250010290000 |
| 5 | Screw, 8-32 x 1/8 | 250010320000 |
| 6 | Body | - |
| 7 | Socket Assembly, MR-16 | 761600 |
| 8 | Lamp, MR-16 | See Lamp Chart, p. 124 |
| 9 | O-Ring | 250010280025 |
| 10 | Clear Lens | 250014720000 |
| 11 | Shroud | - |
| 12 | Straight Shroud | - |
| 5, 9-11 | Lens Cap Assembly | MDLCXX* |
| 5, 9-10, 12 | Lens Cap Assembly, Straight Shroud | MDLCSSXX* |
| | Hex Key, 5/64 Long Arm | 250010330000 |

* XX = powder coat color code



PS LED

| ITEM | DESCRIPTION | CATALOG # |
|----------|----------------------------|------------------|
| 1 | Mounting Bracket | 250016650000 |
| 2 | Screw, 6 x 1.5 | 250013060000 |
| 3 | Screw, 6-32 | 250014810000 |
| 4 | Housing Bracket | 250016640000 |
| 5 | Body | - |
| 6 | Screw, 8-32 x 1/8 | 250010320000 |
| 7 | Copper Sleeve | See sleeve Chart |
| 8 | Socket, 3-meter | - |
| 9-12 | LED Board | See LED Chart |
| 13-15 | Reflector | See LED Chart |
| 16-17 | Screws | See LED Chart |
| 18-20 | Color Filter | See LED Chart |
| 21-23 | Beam Angle Lens | See LED Chart |
| 24 | O-Ring | 250010280030 |
| 25 | Clear Lens | - |
| 26 | Shroud | - |
| 6, 24-26 | Lens Cap Assembly | PSLCXX*† |
| 3, 27-29 | Hanging Bracket | PSHBXX* |
| 28 | Cable Lock | 250021820000 |
| 29 | 3/64" Diameter, 24" Length | 250021830000 |

* XX = Powder coat color code for faceplate

† Replace "C" with "F" for frosted lens option

PS LED COPPER SLEEVE

| ITEM | DESCRIPTION | CATALOG # |
|------|---------------------------------|--------------|
| 7 | Sleeve, Copper | 250016680000 |
| 7 | Sleeve, Copper, Antique Bronze | 250016680012 |
| 7 | Sleeve, Copper, Nickel Plate | 250016680013 |
| 7 | Sleeve, Copper, Antique Tumbled | 250016680020 |

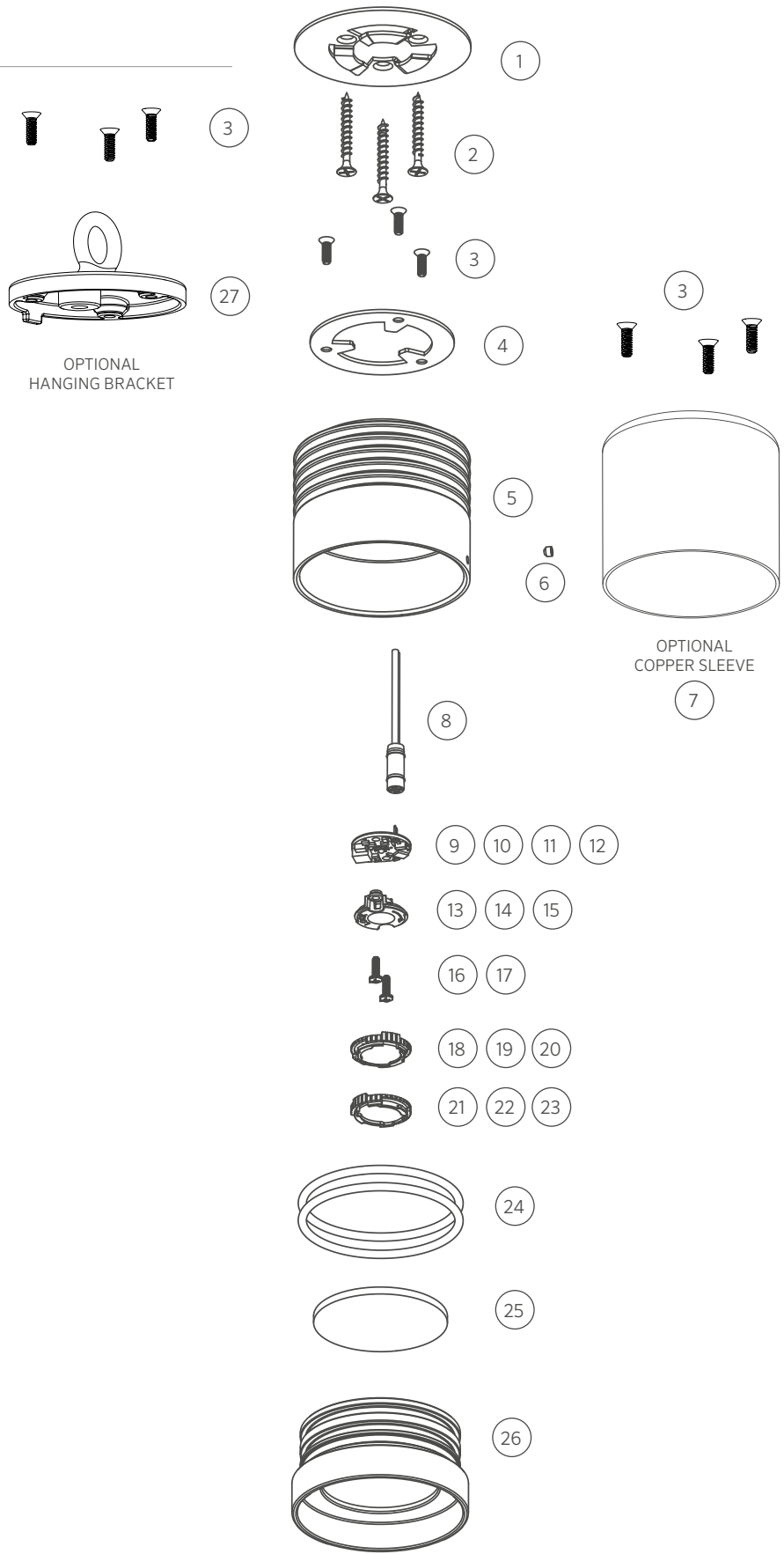
PS LED COMPONENTS

| ITEM | DESCRIPTION | CATALOG # |
|------|---|--------------|
| 9 | 1 LED Board | 1LEDULKIT‡ |
| 10 | 3 LED Board | 3LEDULKIT* |
| 11 | 6 LED Board | 6LEDULKIT‡ |
| 12 | 9 LED Board | 9LEDULKIT‡ |
| 12 | ZDC LED Board | ZDCKITL** |
| 13 | 1 LED Reflector | 770000 |
| 14 | 3 LED Reflector | 770700 |
| 15 | 6/9 LED Reflector | 771400 |
| 15 | ZDC LED Reflector | 250020690000 |
| 16 | 1/3 LED Screw, 4-40 x 3/8 (Qty Req: 2) | 762400 |
| 17 | 6/9 LED Screw, 4-40 x 7/16 (Qty Req: 3) | 250014550000 |
| 18 | 1 LED Color Filter, Amber | 770100 |
| 18 | 1 LED Color Filter, Blue | 770101 |
| 18 | 1 LED Color Filter, Green | 770102 |
| 19 | 3 LED Color Filter, Amber | 770800 |
| 19 | 3 LED Color Filter, Blue | 770801 |
| 19 | 3 LED Color Filter, Green | 770802 |
| 20 | 6/9 LED Color Filter, Amber | 771500 |
| 20 | 6/9 LED Color Filter, Blue | 771501 |
| 20 | 6/9 LED Color Filter, Green | 771502 |
| 21 | 1 LED Spot Lens (18°) | 770600 |
| 21 | 1 LED Flood Lens (30°-32°) | 1LEDFLENS |
| 21 | 1 LED Wide Flood Lens (56°-58°) | 1LEDWFLENS |
| 22 | 3 LED Spot Lens (18°) | 771300 |
| 22 | 3 LED Flood Lens (30°-32°) | 3LEDFLENS |
| 22 | 3 LED Wide Flood Lens (56°-58°) | 3LEDWFLENS |
| 23 | 6/9 LED Spot Lens (18°) | 771600 |
| 23 | 6/9 LED Flood Lens (30°-32°) | 9LEDFLENS |
| 23 | 6/9 LED Wide Flood Lens (56°-58°) | 9LEDWFLENS |

‡ ZD = zoneable and dimmable (add ZD to front of part number)

** ZDC kit includes LED board, reflector (#14), screws (#17), and flood lens diffuser (9LEDFLENS)

PS LED



NL LED

| ITEM | DESCRIPTION | CATALOG # |
|-------|---------------------------|------------------|
| 1 | Copper Sleeve | See Sleeve Chart |
| 2 | Screw, 8-32 x 1/4 | 250011710000 |
| 3 | Body | - |
| 4 | Mounting Bracket | 250016740000 |
| 5 | Screw, 6 x 1.5 | 250013060000 |
| 6 | Screw, 6-32 | 250014810000 |
| 7 | Housing Bracket | 250016730000 |
| 8 | Screw, 8-32 x 1/8 | 250010320000 |
| 9 | Socket, 3-meter | 752601 |
| 10-13 | LED Board | See LED Chart |
| 14-16 | Reflector | See LED Chart |
| 17-18 | Screws | see LED Chart |
| 19-21 | Color Filter | See LED Chart |
| 22-24 | Diffuser | See LED Chart |
| 25 | O-Ring | 250010280030 |
| 26 | Clear Lens | 250016670000 |
| 27 | Shroud | - |
| 25-27 | Lens Cap Assembly (Clear) | NLLCXX*† |

* XX = powder coat color code

† Replace "C" with "F" for frosted lens option

NL LED COPPER COVER

| ITEM | DESCRIPTION | CATALOG # |
|------|--------------------------------|--------------|
| 1 | Cover, Copper | 250016750000 |
| 1 | Cover, Copper, Antique Bronze | 250016750012 |
| 1 | Cover, Copper, Nickel Plate | 250016750013 |
| 1 | Cover, Copper, Antique Tumbled | 250016750020 |

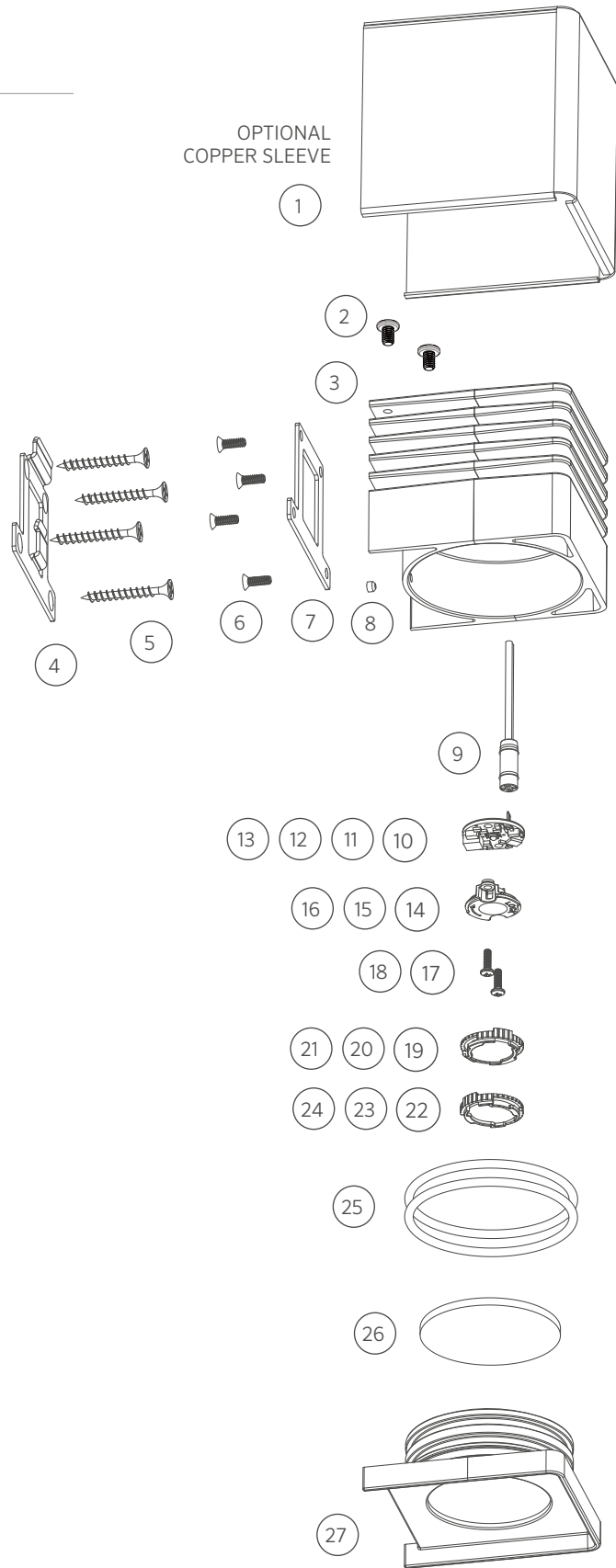
NL LED COMPONENTS

| ITEM | DESCRIPTION | CATALOG # |
|------|-------------------------------------|--------------|
| 10 | 1 LED Board | 1LEDULKIT‡ |
| 11 | 3 LED Board | 3LEDULKIT* |
| 12 | 6 LED Board | 6LEDULKIT‡ |
| 13 | 9 LED Board | 9LEDULKIT‡ |
| 13 | ZDC LED Board | ZDCKITL** |
| 14 | 1 LED Reflector | 770000 |
| 15 | 3 LED Reflector | 770700 |
| 16 | 6/9 LED Reflector | 771400 |
| 16 | ZDC LED Reflector | 250020690000 |
| 17 | 1/3 LED Screw, 4-40 x 3/8 (Qty: 2) | 762400 |
| 18 | 6/9 LED Screw, 4-40 x 7/16 (Qty: 3) | 250014550000 |
| 19 | 1 LED Color Filter, Amber | 770100 |
| 19 | 1 LED Color Filter, Blue | 770101 |
| 19 | 1 LED Color Filter, Green | 770102 |
| 20 | 3 LED Color Filter, Amber | 770800 |
| 20 | 3 LED Color Filter, Blue | 770801 |
| 20 | 3 LED Color Filter, Green | 770802 |
| 21 | 6/9 LED Color Filter, Amber | 771500 |
| 21 | 6/9 LED Color Filter, Blue | 771501 |
| 21 | 6/9 LED Color Filter, Green | 771502 |
| 22 | 1 LED Diffuser | 770600 |
| 22 | 1 LED Flood Lens (30°-32°) | 1LEDFLENS |
| 22 | 1 LED Wide Flood Lens (56°-58°) | 1LEDWFLENS |
| 23 | 3 LED Diffuser | 771300 |
| 23 | 3 LED Flood Lens (30°-32°) | 3LEDFLENS |
| 23 | 3 LED Wide Flood Lens (56°-58°) | 3LEDWFLENS |
| 24 | 6/9 LED Diffuser | 771600 |
| 24 | 6/9 LED Flood Lens (30°-32°) | 9LEDFLENS |
| 24 | 6/9 LED Wide Flood Lens (56°-58°) | 9LEDWFLENS |

‡ ZD = zoneable and dimmable (add ZD to front of part number)

** ZDC kit includes LED board, reflector (#16), screws (#18), and flood lens diffuser (9LEDWFLENS)

NL LED



DE LED

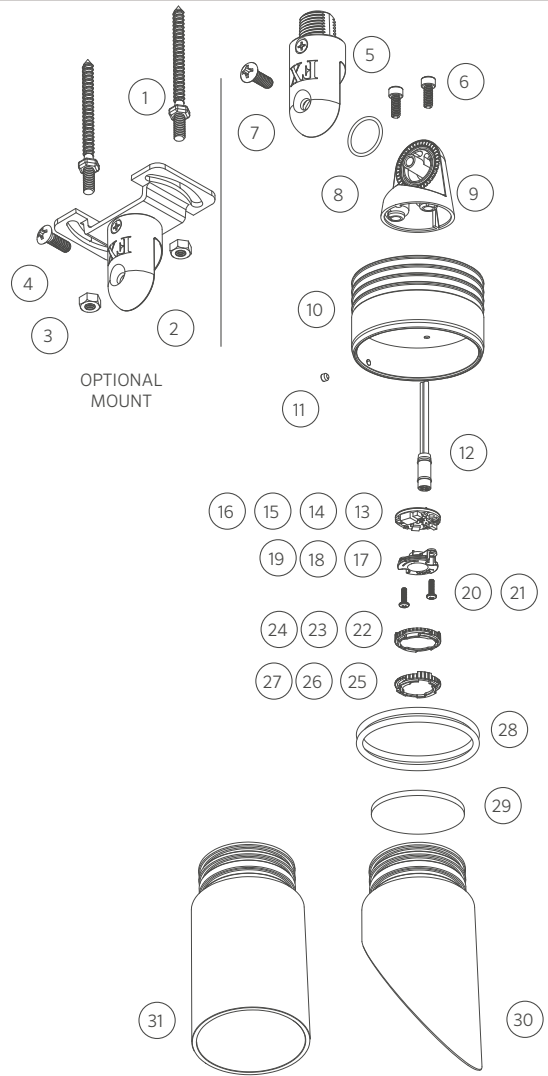
| ITEM | DESCRIPTION | CATALOG # |
|------------|-----------------------------|---------------|
| 1 | Wood Screws | 250015270000 |
| 2 | Optional Wall Mount | - |
| 3 | Hex Nut | 250015310000 |
| 4 | Screw, 1/4-20 x 3/4 | 250010290000 |
| 5 | Knuckle Subassembly | KFM050XX* |
| 6 | Screw, 10-24 x 3/8 | 250013940000 |
| 7 | Screw, 1/4-20 x 3/4 | 250010290000 |
| 8 | O-Ring | 250010280002 |
| 9 | Base | - |
| 10 | Body | - |
| 11 | Screw, 8-32 x 1/8 | 250010320000 |
| 12 | Socket, 8-meter | - |
| 13-16 | LED Board | See LED Chart |
| 17-19 | Reflector | See LED Chart |
| 20-21 | Screw, 4-40 | See LED Chart |
| 22-24 | Color Filter | See LED Chart |
| 25-27 | Diffuser | See LED Chart |
| 28 | O-Ring | 250010280029 |
| 29 | Lens | - |
| 30 | Shroud | - |
| 11, 29-30 | Lens Cap Assembly | DELCSXX**† |
| 11, 29, 31 | Lens Cap Assembly, Straight | DELCSXX**† |
| 1-3 | Wall Mount Kit | WMXX* |
| | Hex Key, 5/64 Long Arm | 250010330000 |

* XX = powder coat color code

† Replace "C" with "F" for frosted lens option

DE LED COMPONENTS

| ITEM | DESCRIPTION | CATALOG # |
|------|---|--------------|
| 13 | 1 LED Board | 1LEDULKIT† |
| 14 | 3 LED Board | 3LEDULKIT* |
| 15 | 6 LED Board | 6LEDULKIT† |
| 16 | 9 LED Board | 9LEDULKIT† |
| 16 | ZDC LED Board | ZDCKITL** |
| 17 | 1 LED Reflector | 770000 |
| 18 | 3 LED Reflector | 770700 |
| 19 | 6/9 LED Reflector | 771400 |
| 16 | ZDC LED Reflector | 250020690000 |
| 20 | 1/3 LED Screw, 4-40 x 3/8 (Qty Req: 2) | 762400 |
| 21 | 6/9 LED Screw, 4-40 x 7/16 (Qty Req: 3) | 250014550000 |
| 22 | 1 LED Color Filter, Amber | 770100 |
| 22 | 1 LED Color Filter, Blue | 770101 |



| ITEM | DESCRIPTION | CATALOG # |
|------|-----------------------------------|------------|
| 22 | 1 LED Color Filter, Green | 770102 |
| 23 | 3 LED Color Filter, Amber | 770800 |
| 23 | 3 LED Color Filter, Blue | 770801 |
| 23 | 3 LED Color Filter, Green | 770802 |
| 24 | 6/9 LED Color Filter, Amber | 771500 |
| 24 | 6/9 LED Color Filter, Blue | 771501 |
| 24 | 6/9 LED Color Filter, Green | 771502 |
| 25 | 1 LED Spot Lens (18°) | 770600 |
| 25 | 1 LED Flood Lens (30°-32°) | 1LEDFLENS |
| 25 | 1 LED Wide Flood Lens (56°-58°) | 1LEDWFLENS |
| 26 | 3 LED Spot Lens (18°) | 771300 |
| 26 | 3 LED Flood Lens (30°-32°) | 3LEDFLENS |
| 26 | 3 LED Wide Flood Lens (56°-58°) | 3LEDWFLENS |
| 27 | 6/9 LED Spot Lens (18°) | 771600 |
| 27 | 6/9 LED Flood Lens (30°-32°) | 9LEDFLENS |
| 27 | 6/9 LED Wide Flood Lens (56°-58°) | 9LEDWFLENS |

† ZD = zoneable and dimmable (add ZD to front of part number)

** ZDC kit includes LED board, reflector (#19), screws (#21), and flood lens diffuser (9LEDFLENS)

JB LED

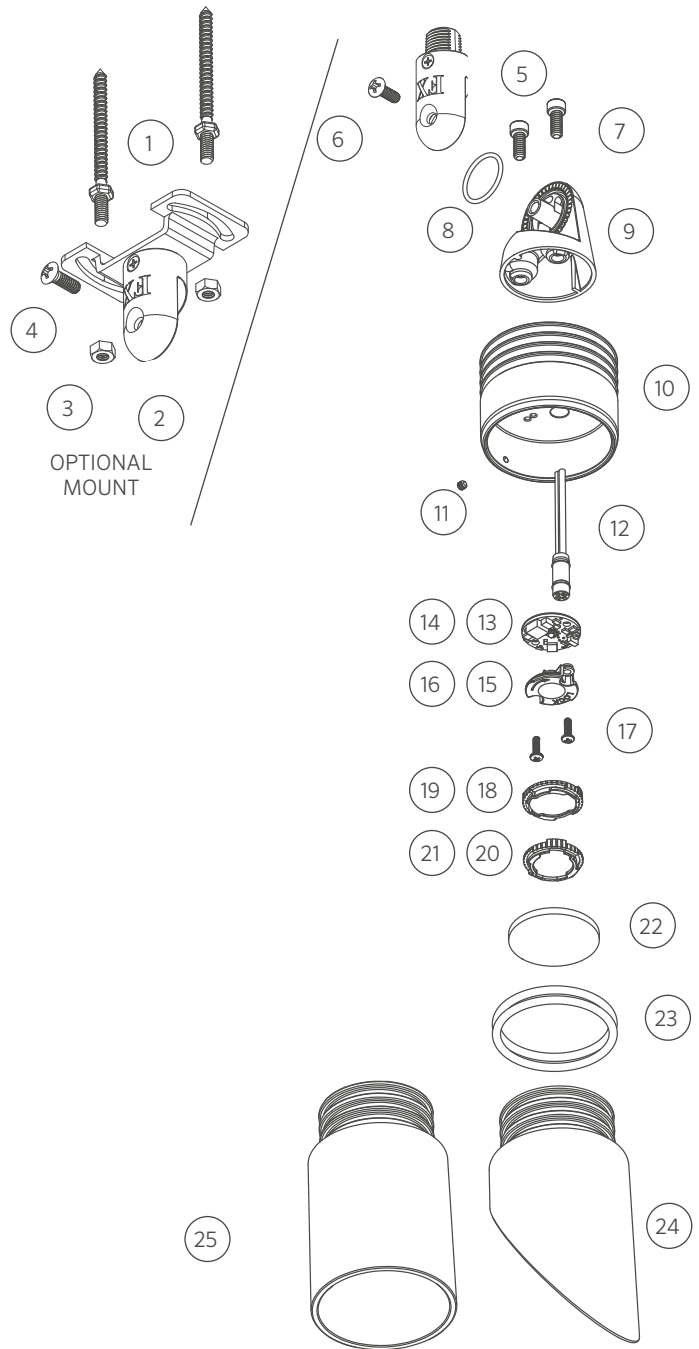
| ITEM | DESCRIPTION | CATALOG # |
|---------------|-----------------------------|---------------|
| 1 | Wood Screws | 250015270000 |
| 2 | Optional Wall Mount | - |
| 3 | Hex Nut | 250015310000 |
| 4 | Screw, 1/4-20 x 3/4 | 250010290000 |
| 5 | Knuckle Subassembly | KFM050XX* |
| 6 | Screw, 1/4-20 x 3/4 | 250010290000 |
| 7 | Screw, 10-24 x 3/8 | 250013940000 |
| 8 | O-Ring | 250010280002 |
| 9 | Base | - |
| 10 | Body | - |
| 11 | Screw, 6-32 x 1/8 | 250012930000 |
| 12 | Socket, 8-meter | - |
| 13-14 | LED Board | See LED Chart |
| 15-16 | Reflector | See LED Chart |
| 17 | Screw | See LED Chart |
| 18-19 | Color Filter | See LED Chart |
| 20-21 | Diffuser | See LED Chart |
| 22 | Clear Lens | |
| 23 | O-Ring | 250010280006 |
| 24 | Shroud | - |
| 1-3 | Wall Mount Kit | WMXX* |
| 11, 22-24 | Lens Cap Assembly | JBLCXX**† |
| 11, 22-23, 25 | Lens Cap Assembly, Straight | JBLCSSXX* |
| | Hex Key, 1/16 Long Arm | 250012950000 |

* XX = powder coat color code

† Replace "C" with "F" for frosted lens option

JB LED COMPONENTS

| ITEM | DESCRIPTION | CATALOG # |
|------|--|--------------|
| 13 | 1 LED Board | 1LEDULKIT* |
| 14 | 3 LED Board | 3LEDULKIT* |
| 14 | ZDC LED Board | ZDCKITM** |
| 15 | 1 LED Reflector | 770000 |
| 16 | 3 LED Reflector | 770700 |
| 16 | ZDC LED Reflector | 250020690000 |
| 17 | 1/3 LED Screw, 4-40 x 3/8 (Qty Req: 2) | 762400 |
| 18 | 1 LED Color Filter, Amber | 770100 |
| 18 | 1 LED Color Filter, Blue | 770101 |
| 18 | 1 LED Color Filter, Green | 770102 |

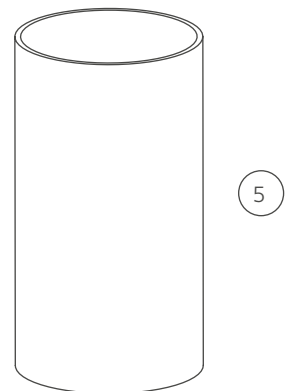
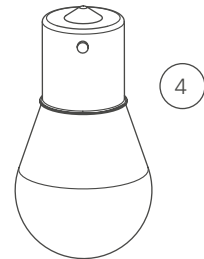
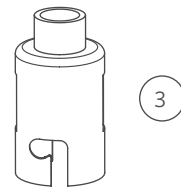
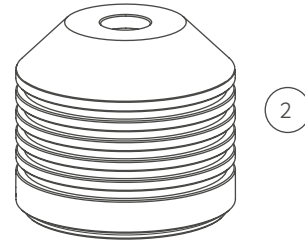
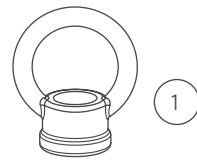


| ITEM | DESCRIPTION | CATALOG # |
|------|---------------------------------|-------------|
| 19 | 3 LED Color Filter, Amber | 770800 |
| 19 | 3 LED Color Filter, Blue | 770801 |
| 19 | 3 LED Color Filter, Green | 770802 |
| 20 | 1 LED Spot Lens (18°) | 770600 |
| 20 | 1 LED Flood Lens (30°-32°) | 1LEDFLLENS |
| 20 | 1 LED Wide Flood Lens (56°-58°) | 1LEDWFLLENS |
| 21 | 3 LED Spot Lens (18°) | 771300 |
| 21 | 3 LED Flood Lens (30°-32°) | 3LEDFLLENS |
| 21 | 3 LED Wide Flood Lens (56°-58°) | 3LEDWFLLENS |

* ZD = zoneable and dimmable (add ZD to front of part number)

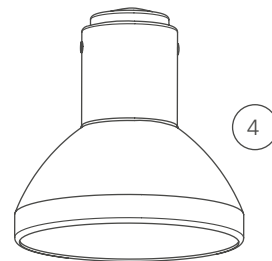
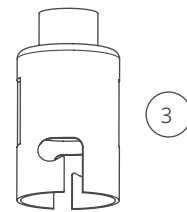
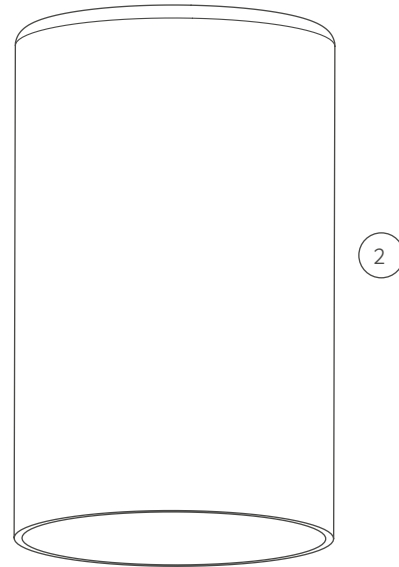
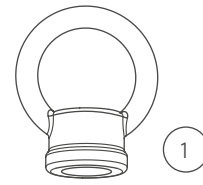
LS

| ITEM | DESCRIPTION | CATALOG # |
|------|--|--------------|
| 1 | Brass Loop | - |
| 2 | Brass Top | - |
| 3 | Socket | 250012800000 |
| 4 | Lamp | 250010510000 |
| 5 | Copper Shroud | - |
| 6 | Screw | 250011500000 |
| | Hex Key, ⁵ / ₆₄ Long Arm | 250010330000 |



VL LED

| ITEM | DESCRIPTION | CATALOG # |
|------|-------------|--------------|
| 1 | Brass Loop | - |
| 2 | Copper Can | - |
| 3 | Socket | 250012890000 |
| 4 | Lamp | 250010240000 |



VE LED

| ITEM | DESCRIPTION | CATALOG # |
|----------|-----------------------|---------------|
| 1 | Body | - |
| 2 | Screw, 8-32 x 1/8 Lg. | 250012760000 |
| 3 | Connector, Overmolded | - |
| 4-5 | LED Board | See LED Chart |
| 6-7 | Reflector | See LED Chart |
| 8 | Screw, 4-40 x 3/8 Lg | 762400 |
| 9-10 | Filter, Color | See LED Chart |
| 11-12 | Diffuser | See LED Chart |
| 13 | O-Ring, Silicone | 250010280006 |
| 14 | Lens, Frosted | - |
| 15 | Shroud | - |
| 16 | Screw, 8-32 x 1/4 Lg | 250011710000 |
| 17 | Short Sleeves | See Chart |
| 18 | Perforated Sleeves | See Chart |
| 2, 13-15 | Lens Cap Assembly | VELCXX |

*XX = finish code

VE LED COMPONENTS

| ITEM | DESCRIPTION | CATALOG # |
|------|---------------------------|------------------------|
| 4 | 1 LED Board | 1LEDULKIT [‡] |
| 5 | 3 LED Board | 3LEDULKIT [‡] |
| 6 | 1 LED Reflector | 770000 |
| 7 | 3 LED Reflector | 770700 |
| 9 | 1 LED Color Filter: Amber | 770100 |
| | Blue | 770101 |
| | Green | 770102 |
| 10 | 3 LED Color Filter: Amber | 770800 |
| | Blue | 770801 |
| | Green | 770802 |
| 11 | 1 LED Diffuser | 770600 |
| 12 | 3 LED Diffuser | 771300 |

[‡] ZD = zoneable and dimmable (add ZD to front of part number)

SHORT SLEEVES[†]

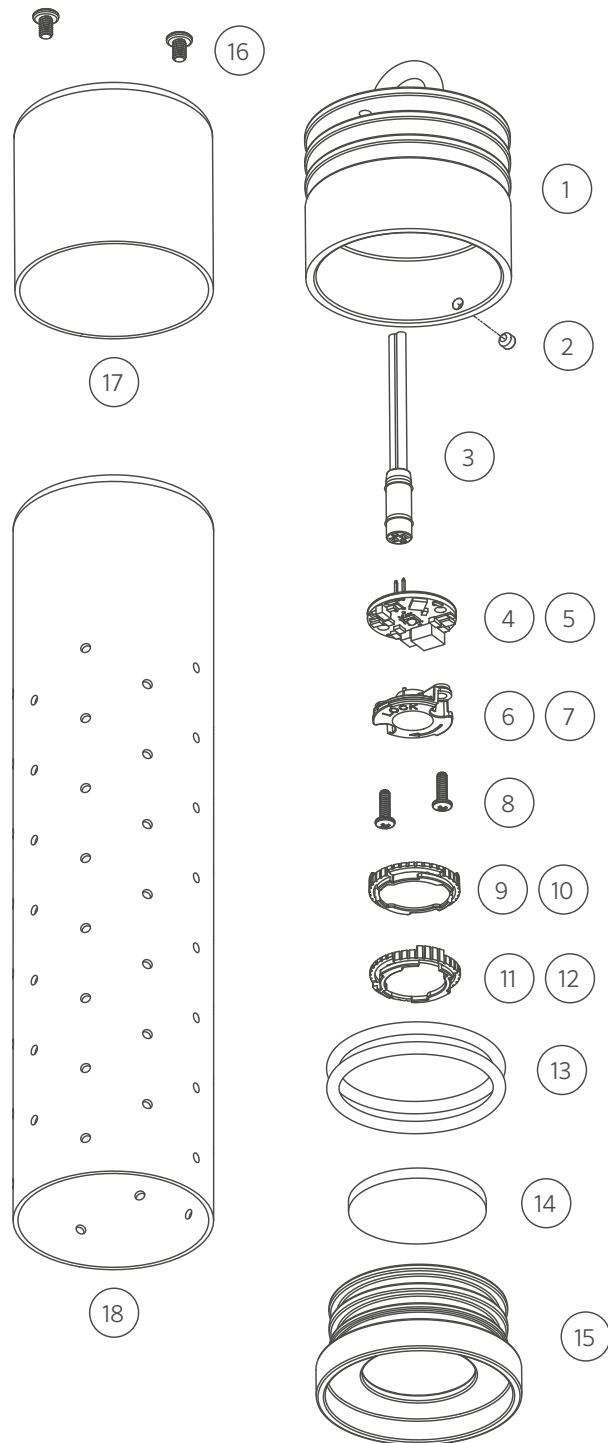
| ITEM | DESCRIPTION | CATALOG # |
|------|-----------------|--------------|
| 17 | Copper | 250020500000 |
| 17 | Antique Bronze | 250020500012 |
| 17 | Nickel Plate | 250020500013 |
| 17 | Antique Tumbled | 250020500020 |

PERFORATED SLEEVES[†]

| ITEM | DESCRIPTION | CATALOG # |
|------|-----------------|--------------|
| 18 | Copper | 250020210000 |
| 18 | Bronze Metallic | 250020210001 |
| 18 | Verde Speckle | 250020210003 |
| 18 | Desert Granite | 250020210006 |
| 18 | Sedona Brown | 250020210007 |
| 18 | Weathered Iron | 250020210009 |
| 18 | Antique Bronze | 250020210012 |
| 18 | Nickel Plate | 250020210013 |
| 18 | Flat Black | 250020210014 |
| 18 | Flat White | 250020210015 |
| 18 | White Gloss | 250020210016 |
| 18 | Almond | 250020210019 |
| 18 | Antique Tumbled | 250020210020 |
| 18 | Silver | 250020210021 |

[†] The sleeve fastening screws (#16) are not included with each sleeve part number and must be ordered separately.

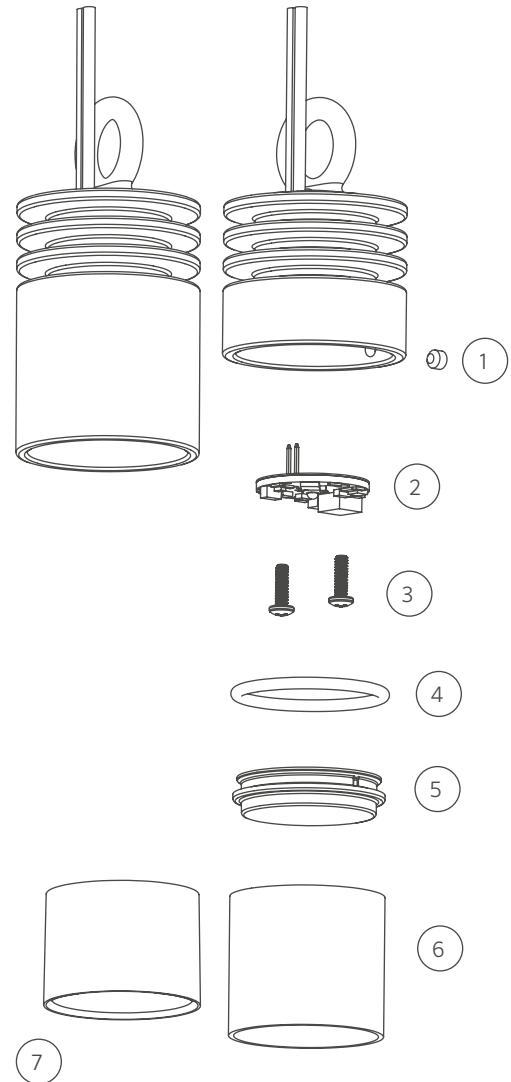
VE LED



LE LED

| ITEM | DESCRIPTION | CATALOG # |
|------|------------------------|------------------------|
| 1 | Screw, 8-32 x 1/8 | 250010320000 |
| 2 | LED Board | 1LEDULKIT [‡] |
| 3 | Screw, 4-40 x 3/8 | 762400 |
| 4 | O-Ring | 250010280026 |
| 5 | Lens: Amber Lens | 250015650001 |
| | Clear Lens | 250015650000 |
| | Blue Lens | 250015650002 |
| | Green Lens | 250015650003 |
| 6 | Copper Shroud | - |
| 7 | Reflector | 250015680000 |
| | Hex Key, 5/64 Long Arm | 250010330000 |
| | Cable, Lock | 250016310000 |
| | Cable, 3/64 | 250019510000 |

[‡] ZD = zoneable and dimmable (add ZD to front of part number)

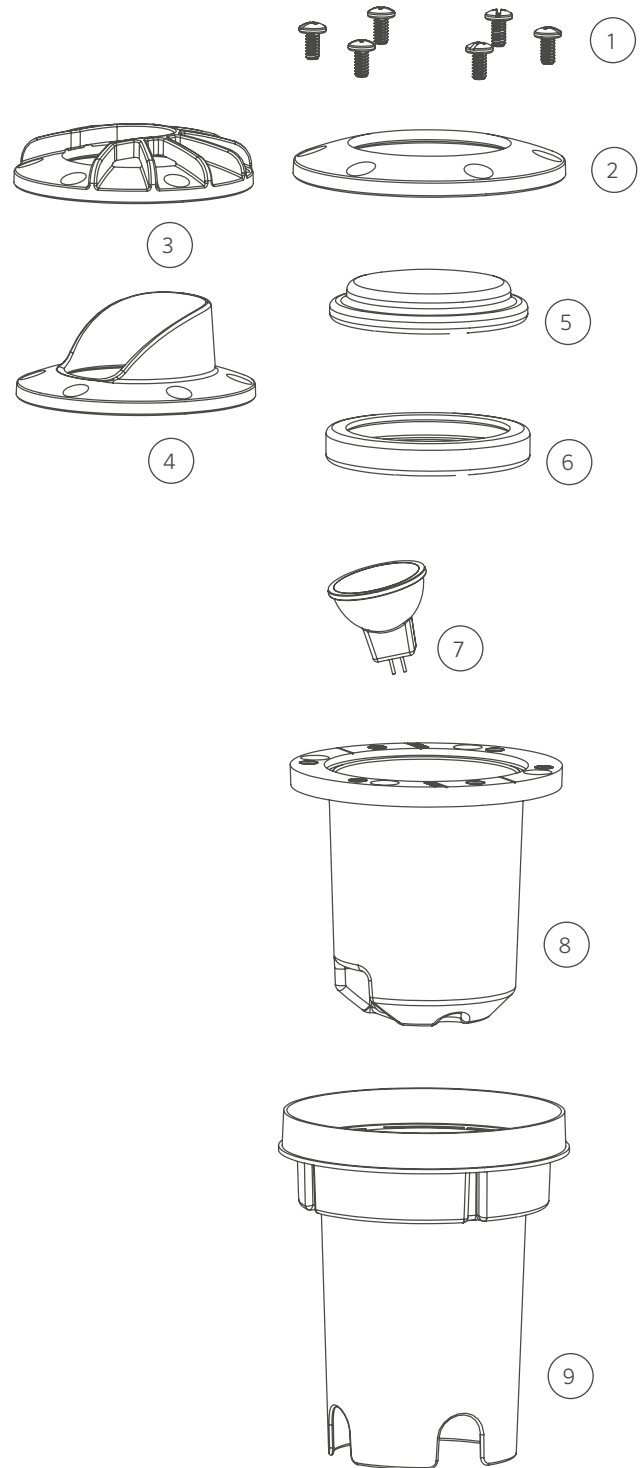


IN GROUND LIGHTS

FC

| ITEM | DESCRIPTION | CATALOG # |
|-------------------|----------------------|--------------------------------|
| 1 | Screw, 10-24 x 3/8 | 250015870000 |
| Faceplate Option: | | |
| 2 | Brass Ring | FCFPRGXX* |
| | Camo Bronze Ring | 250014330000 |
| 3 | Brass Louver | FCFPLVXX* |
| | Camo Bronze Louver | 250014320000 |
| 4 | Brass Cowling | FCFPCWXX* |
| | Camo Bronze Cowling | 250014310000 |
| 5 | Lens (Clear/Frosted) | 250014240000 / 250014240001 |
| 6 | Lens Seal | 250014250000 |
| 7 | Lamp, MR-16 | See Lamp Chart, p.124 |
| 8 | Inner Housing | - |
| 9 | Outer Housing | 250014260000 |

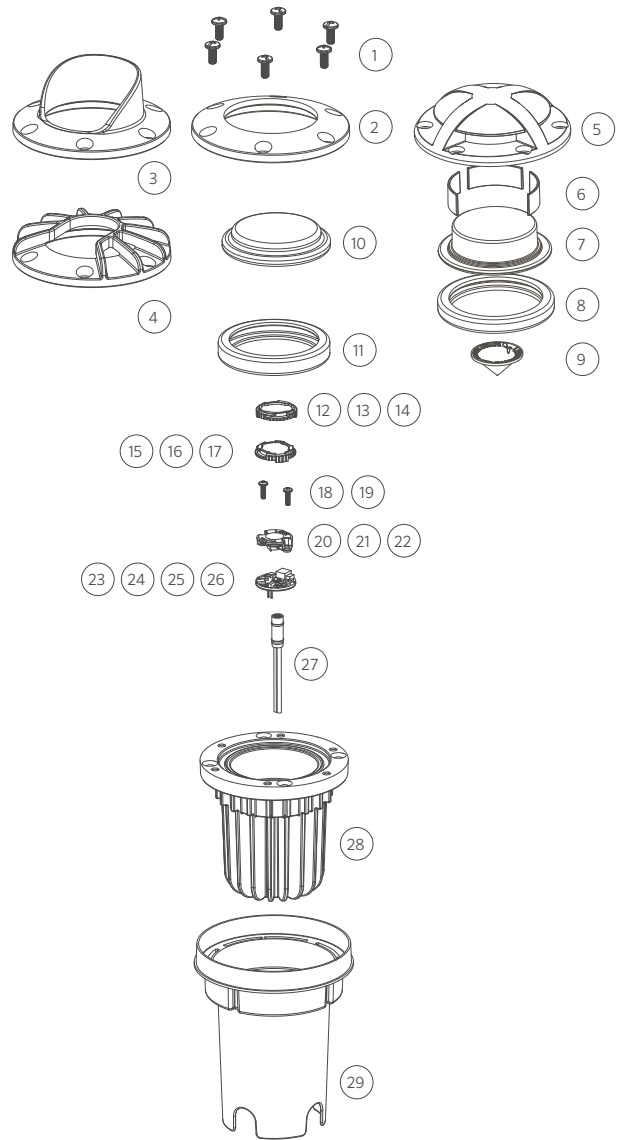
* XX = finish code



FC LED

| ITEM | DESCRIPTION | CATALOG # |
|-------------------|----------------------|-----------------------------|
| 1 | Screw, 10-24 x 7/16 | 250019470000 |
| Faceplate Option: | | |
| 2 | Ring | FCFPRGXX* |
| 3 | Cowling | FCFPCWXX* |
| 4 | Louver | FCFPLVXX* |
| 5 | Ground Wash | FCFPGW-ZZZ-XX* |
| 6 | FC Light Shroud | 250021980000 |
| 7 | Ground Wash Lens | 250021960000 |
| 8 | Black Silicone Seal | 250021970000 |
| 9 | Upper Reflector | 771000 |
| 10 | Glass Lens (Frosted) | 250014240000 (250014240001) |
| 11 | Lens Seal | 250014250000 |
| 12-14 | Beam Angle Lenses | See LED Chart |
| 15-17 | Color Filter | See LED Chart |
| 18, 19 | Screw, 4-40 | See LED Chart |
| 20-22 | Reflector | See LED Chart |
| 23-26 | LED Board | See LED Chart |
| 27 | Socket, 3-meter | - |
| 28 | Housing | - |
| 29 | Outer Housing | 250014260000 |

* XX = powder coat color code



FC LED COMPONENTS

| ITEM | DESCRIPTION | CATALOG # |
|------|-------------------------------------|------------------------|
| 17 | 1 LED Board | 1LEDULKIT [†] |
| 18 | 3 LED Board | 3LEDULKIT* |
| 19 | 6 LED Board | 6LEDULKIT [†] |
| 20 | 9 LED Board | 9LEDULKIT [†] |
| 20 | ZDC LED Board | ZDCKITL** |
| 21 | 1 LED Reflector | 770000 |
| 22 | 3 LED Reflector | 770700 |
| 23 | 6/9 LED Reflector | 771400 |
| 23 | ZDC LED Reflector | 250020690000 |
| 24 | 1/3 LED Screw, 4-40 x 3/8 (Qty: 2) | 762400 |
| 25 | 6/9 LED Screw, 4-40 x 7/16 (Qty: 3) | 250014550000 |
| 26 | 1 LED Color Filter, Amber | 770100 |
| 26 | 1 LED Color Filter, Blue | 770101 |

| | | |
|----|---------------------------------|------------|
| 26 | 1 LED Color Filter, Green | 770102 |
| 27 | 3 LED Color Filter, Amber | 770800 |
| 27 | 3 LED Color Filter, Blue | 770801 |
| 27 | 3 LED Color Filter, Green | 770802 |
| 28 | 6/9 LED Color Filter, Amber | 771500 |
| 28 | 6/9 LED Color Filter, Blue | 771501 |
| 28 | 6/9 LED Color Filter, Green | 771502 |
| 29 | 1 LED Spot Lens (18°) | 770600 |
| 29 | 1 LED Flood Lens (30°-32°) | 1LEDFLENS |
| 29 | 1 LED Wide Flood Lens (56°-58°) | 1LEDWFLENS |
| 29 | 3 LED Spot Lens (18°) | 771300 |
| 29 | 3 LED Flood Lens (30°-32°) | 3LEDFLENS |
| 29 | 3 LED Wide Flood Lens (56°-58°) | 3LEDWFLENS |
| 29 | 6/9 LED Spot Lens (18°) | 771600 |

[†] ZD = zoneable and dimmable (add ZD to front of part number)

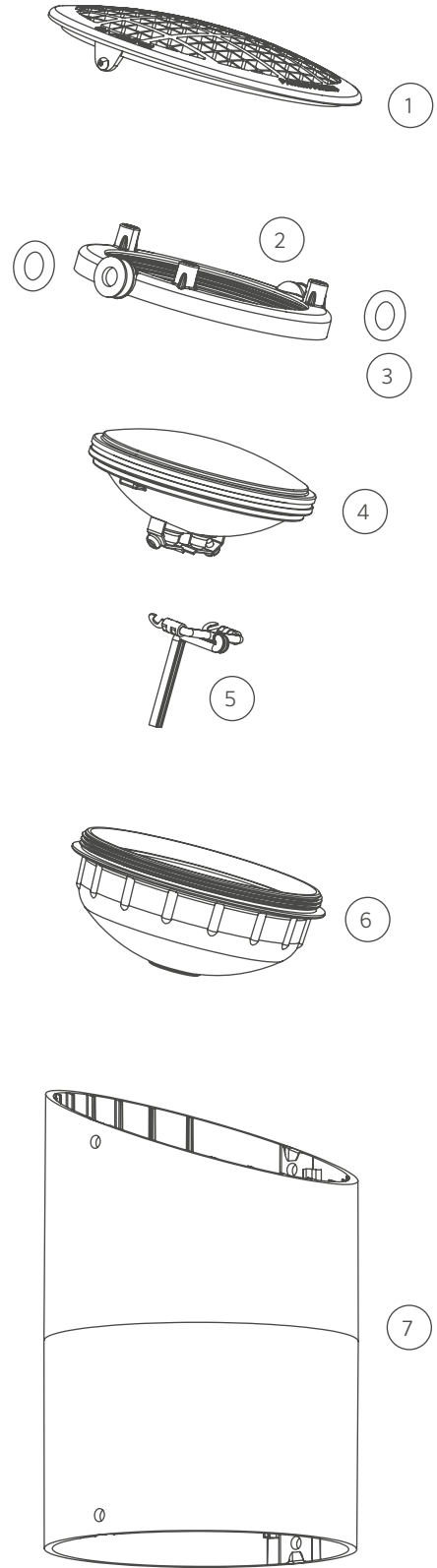
** ZDC kit includes LED board, reflector (#17), screws (#20), and flood lens diffuser (9LEDFLENS)

CF

| ITEM | DESCRIPTION | CATALOG # |
|------|--------------|----------------|
| 1 | Grid Cover | |
| | Camo Bronze | 250011640000 |
| | Desert Tan | 250011640100 |
| 2 | Bezel | 250011660000 |
| 3 | O-Ring | 250010280007 |
| 4 | Lamp, PAR 36 | See Lamp Chart |
| 5 | Cable | 250011670000 |
| 6 | Base | 250011650000 |
| 7 | Tube | |
| | Camo Bronze | 250011630000 |
| | Desert Tan | 250011630100 |
| | Blue Filter | 250014880000 |

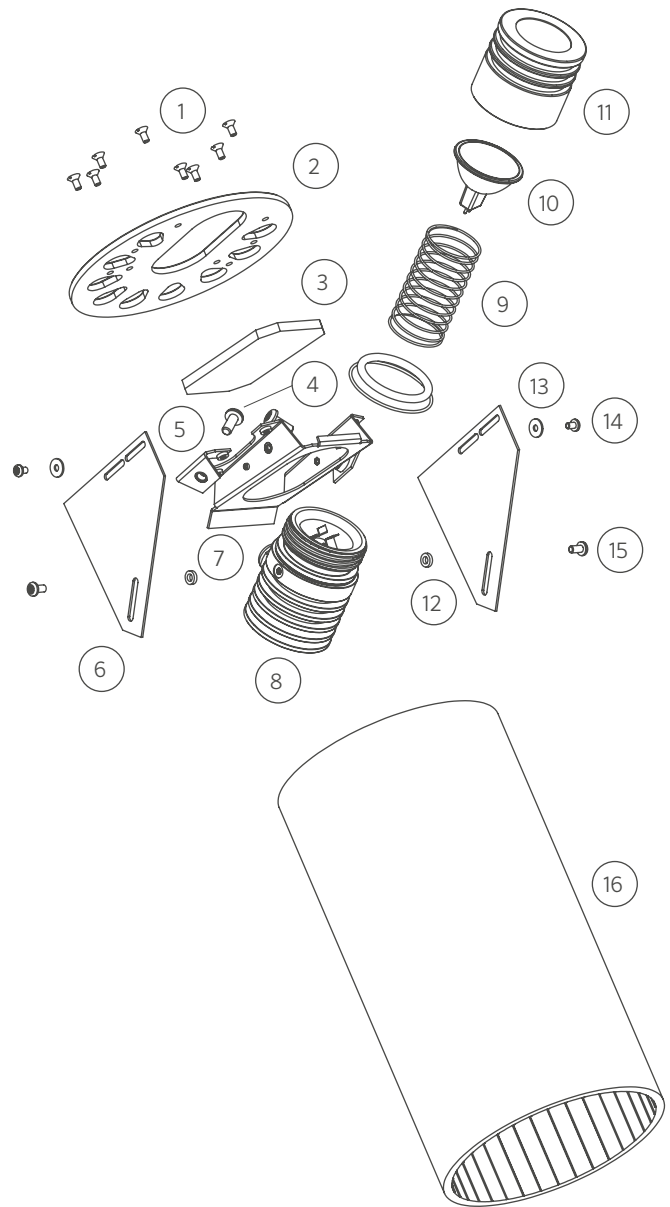
LAMP Chart

| DESCRIPTION | CATALOG # |
|--------------|--------------|
| PAR36-20H-4K | 250010500000 |
| PAR36-35H-4K | 250010500001 |



TE

| ITEM | DESCRIPTION | CATALOG # |
|------|-------------------------|------------------------|
| 1 | Screw, 8-32 x 3/8 | 250011770000 |
| 2 | Faceplate: Brass | 250010150000 |
| | Faceplate: Nickel Plate | 250010150013 |
| 3 | Lens | - |
| 4 | Screw, 8-32 x 1/4 | 250011710017 |
| 5 | Clip | 250013970017 |
| 6 | Bracket | 250013960017 |
| 7 | Lens Holder | - |
| 8 | Base | - |
| 9 | Spring | - |
| 10 | Lamp, Halogen, MR-16 | See Lamp Chart, p. 124 |
| 11 | Shroud | - |
| 12 | Washer | 250014210000 |
| 13 | O-Ring | 250010280020 |
| 14 | Screw, 8-32 x 1/4 | 250011710000 |
| 15 | Screw, 10-32 x 3/8 | 250011750017 |
| 16 | Tube | 250011630000 |
| 3, 7 | TE Lens Assembly | TELA |

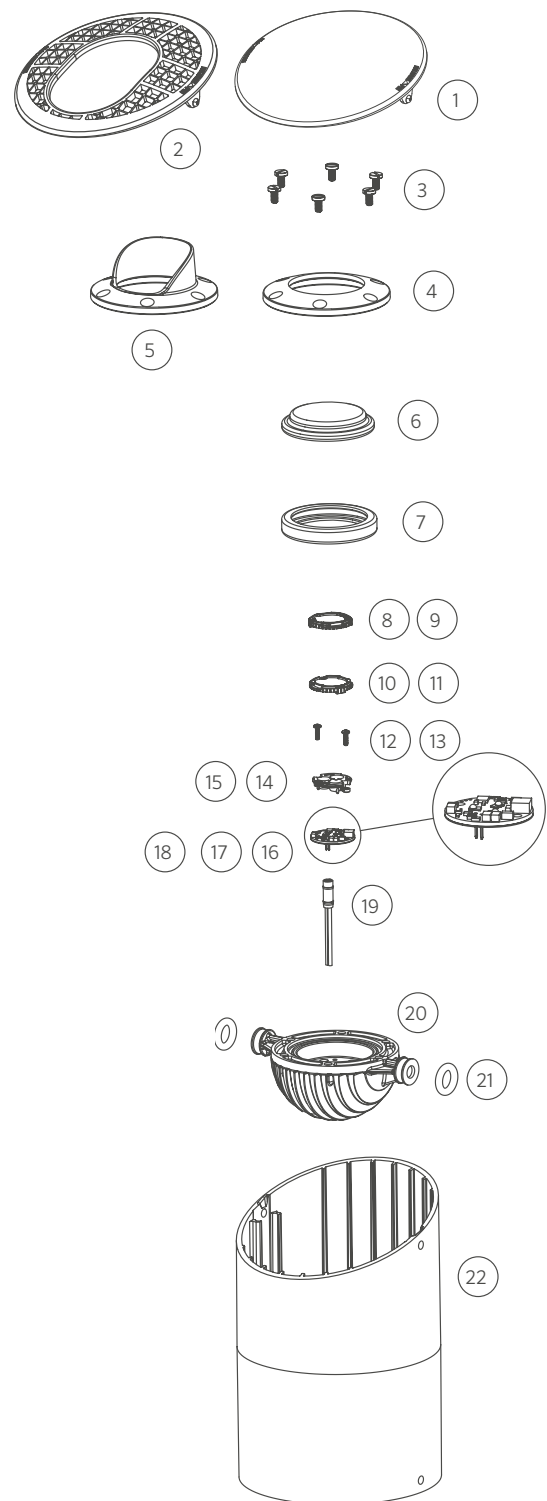


PE LED

| ITEM | DESCRIPTION | CATALOG # |
|-------|-----------------------------|-----------------------------|
| 1 | Clear Cover | 250019030000 |
| 2 | Grid | 760700 |
| 3 | Screw, 10-24 x 3/8 | 250015870000 |
| 4 | Ring | 250014330000 |
| 5 | Cowling Optional | 250014310000 |
| 6 | Lens, Glass (Frosted) | 250014240000 (250014240001) |
| 7 | Seal | 250014250000 |
| 8-9 | Beam Angle Lens | See LED Chart |
| 10-11 | Color Filter | See LED Chart |
| 12-13 | Screw, 4-40 | See LED Chart |
| 14-15 | Reflector | See LED Chart |
| 16-18 | LED Board | See LED Chart |
| 19 | Socket, 3-meter | - |
| 20 | PE Housing | - |
| 21 | O-Ring | 250010280007 |
| 22 | Tube | 250011630000 |
| 3-21 | Replacement module, Ring | PE-Z-LED-RG-KIT |
| 3-21 | Replacement module, Cowling | PE-Z-LED-CW-KIT |

PE LED COMPONENTS

| ITEM | DESCRIPTION | CATALOG # |
|------|-------------------------------------|--------------|
| 8 | 3 LED Spot Lens (18°) | 771300 |
| 8 | 3 LED Flood Lens (30°-32°) | 3LEDFLENS |
| 8 | 3 LED Wide Flood Lens (56°-58°) | 3LEDWFLENS |
| 9 | 6/9 LED Spot Lens (18°) | 771600 |
| 9 | 6/9 LED Flood Lens (30°-32°) | 9LEDFLENS |
| 9 | 6/9 LED Wide Flood Lens (56°-58°) | 9LEDWFLENS |
| 10 | 3 LED Color Filter, Amber | 770800 |
| 10 | 3 LED Color Filter, Blue | 770801 |
| 10 | 3 LED Color Filter, Green | 770802 |
| 11 | 6/9 LED Color Filter, Amber | 771500 |
| 11 | 6/9 LED Color Filter, Blue | 771501 |
| 11 | 6/9 LED Color Filter, Green | 771502 |
| 12 | 3 LED Screw, 4-40 x 3/8 (Qty: 2) | 762400 |
| 13 | 6/9 LED Screw, 4-40 x 7/16 (Qty: 3) | 250014550000 |
| 14 | 3 LED Reflector | 770700 |
| 15 | 6/9 LED Reflector | 771400 |
| 15 | ZDC LED Reflector | 250020690000 |



| ITEM | DESCRIPTION | CATALOG # |
|------|---------------|------------|
| 16 | 3 LED Board | 3LEDULKIT* |
| 17 | 6 LED Board | 6LEDULKIT† |
| 18 | 9 LED Board | 9LEDULKIT† |
| 18 | ZDC LED Board | ZDCKITL** |

† ZD = zoneable and dimmable (add ZD to front of part number)
 ** ZDC kit includes LED board, reflector (#14), screws (#13), and flood lens diffuser (9LEDFLENS)

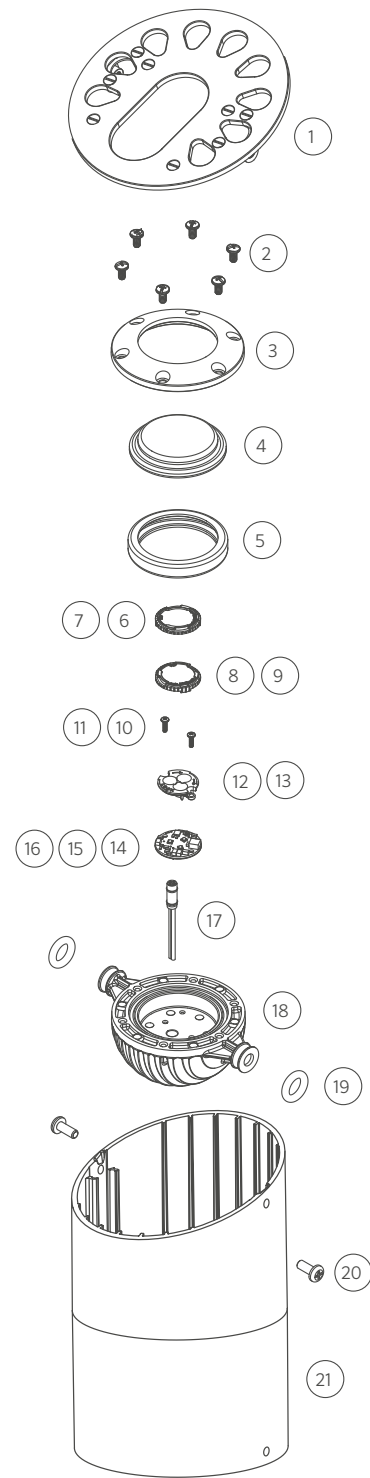
KG LED

| ITEM | DESCRIPTION | CATALOG # |
|-------|--------------------------|-----------------------------|
| 1 | Faceplate Assembly | KGFPXX* |
| 2 | Screws, 10-24 x 3/8 | 250011710000 |
| 3 | Ring | 250014330000 |
| 4 | Glass Lens (Frosted) | 250014240000 (250014240001) |
| 5 | Seal | 250014170000 |
| 6-7 | Beam Angle Lens | See LED Chart |
| 8-9 | Color Filter | See LED Chart |
| 10-11 | Screw | See LED Chart |
| 12-13 | Reflector | See LED Chart |
| 14-16 | LED Board | See LED Chart |
| 17 | Socket | - |
| 18 | Housing | - |
| 19 | O-Ring | 250010280007 |
| 20 | Screw, 10-24 x 5/8 | 250011690017 |
| 21 | Tube | 250013980000 |
| 2-19 | Replacement module, Ring | PE-Z-LED-RG-KIT |

*XX = powder coat color code

KG LED COMPONENTS

| ITEM | DESCRIPTION | CATALOG # |
|------|---|--------------|
| 6 | 3 LED Diffuser | 771300 |
| 6 | 3 LED Flood Lens (30°-32°) | 3LEDFLENS |
| 6 | 3 LED Wide Flood Lens (56°-58°) | 3LEDWFLENS |
| 7 | 6/9 LED Diffuser | 771600 |
| 7 | 6/9 LED Flood Lens (30°-32°) | 9LEDFLENS |
| 7 | 6/9 LED Wide Flood Lens (56°-58°) | 9LEDWFLENS |
| 8 | 3 LED Color Filter, Amber | 770800 |
| 8 | 3 LED Color Filter, Blue | 770801 |
| 8 | 3 LED Color Filter, Green | 770802 |
| 9 | 6/9 LED Color Filter, Amber | 771500 |
| 9 | 6/9 LED Color Filter, Blue | 771501 |
| 9 | 6/9 LED Color Filter, Green | 771502 |
| 10 | 3 LED Screw, 4-40 x 3/8 (Qty Req: 2) | 762400 |
| 11 | 6/9 LED Screw, 4-40 x 7/16 (Qty Req: 3) | 250014550000 |
| 12 | 3 LED Reflector | 770700 |
| 13 | 6/9 LED Reflector | 771400 |
| 13 | ZDC LED Reflector | 250020690000 |



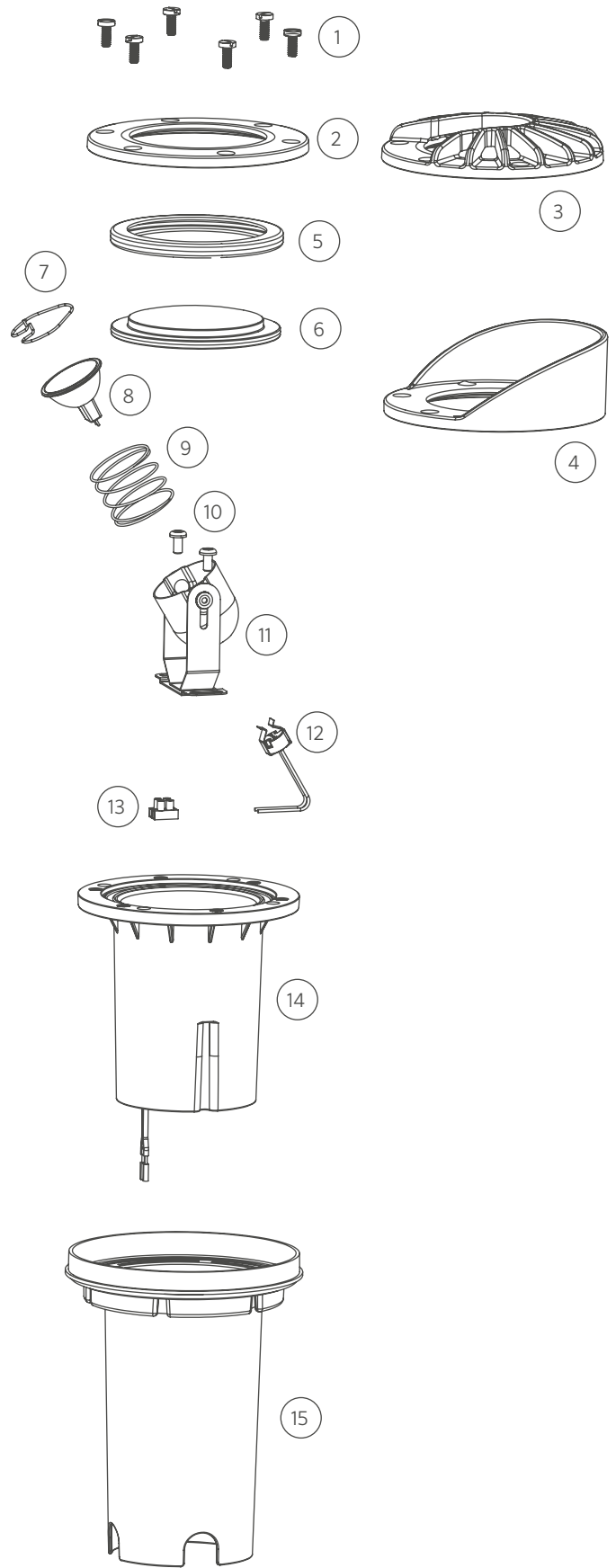
| | | |
|----|---------------|------------|
| 14 | 3 LED Board | 3LEDULKIT* |
| 15 | 6 LED Board | 6LEDULKIT† |
| 16 | 9 LED Board | 9LEDULKIT‡ |
| 16 | ZDC LED Board | ZDCKITL** |

‡ ZD = zoneable and dimmable (add ZD to front of part number)
 ** ZDC kit includes LED board, reflector (#12), screws (#11), and flood lens diffuser (9LEDFLENS)

RP

| ITEM | DESCRIPTION | CATALOG # |
|-------------------|-----------------------|------------------------|
| 1 | Screw, 1/4-20 x 5/8 | 250014380000 |
| Faceplate Options | | |
| 2 | Ring | RPRGXX* |
| 3 | Cowling | RPCWXX* |
| 4 | Louver | RPLVXX* |
| 5 | Seal | - |
| 6 | Lens | - |
| 7 | Spring, Clip | 250014200000 |
| 8 | Lamp, MR-16 | See Lamp Chart, p. 124 |
| 9 | Spring | 250014440000 |
| 10 | Screw | 250014430000 |
| 11 | Lamp Housing Assembly | 250014370000 |
| 12 | Socket | - |
| 13 | Terminal Block | - |
| 14 | Inner Housing | - |
| 15 | Outer Housing | 250014350000 |
| 5-6 | RP Lens Assembly | RPLA |

*XX = finish code



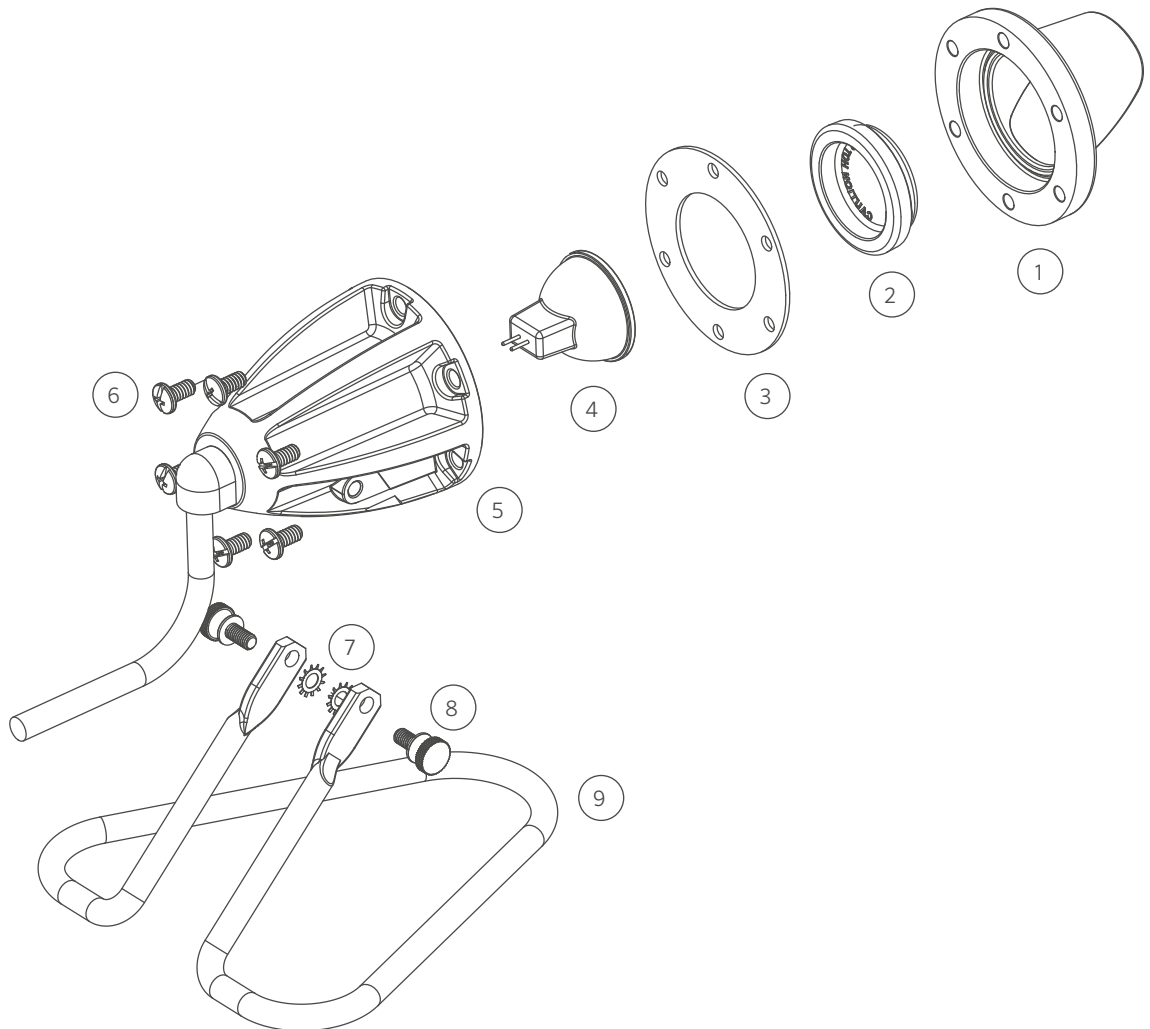
UNDERWATER LIGHTS

SM

| ITEM | DESCRIPTION | CATALOG # |
|------|-------------------|----------------|
| 1 | Faceplate | - |
| 2 | Glass Lens | - |
| 3 | Gasket | - |
| 4 | Lamp, AR-11 | See Lamp Chart |
| 5 | Body | - |
| 6 | Screw | - |
| 7 | Washer | - |
| 8 | Brass Thumb Screw | - |
| 9 | Base | - |

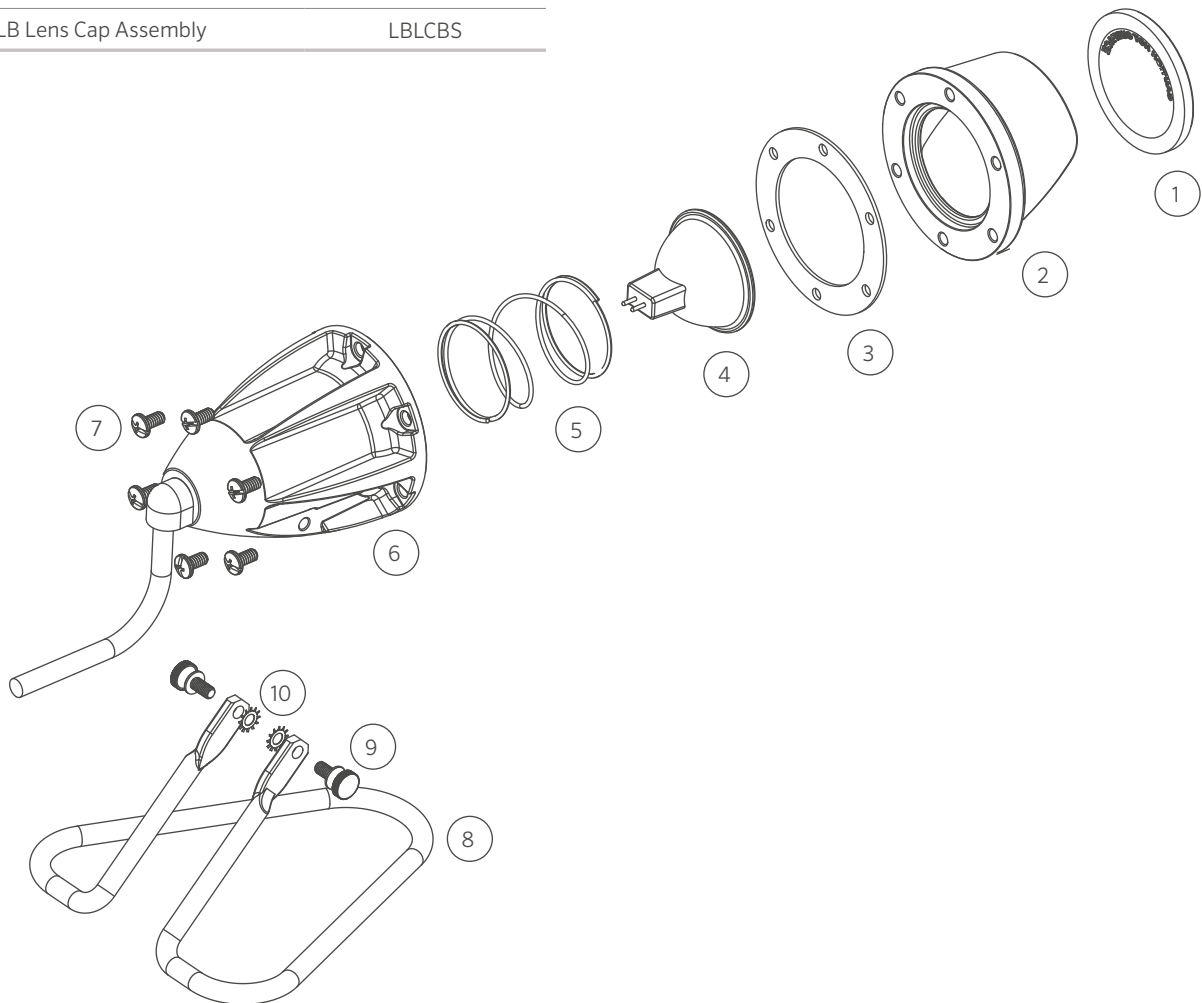
LAMP Chart

| DESCRIPTION | CATALOG # |
|-------------------------------------|--------------|
| Lamp, AR-11, 20W, F, 18°, 2,000 Hrs | 250010240001 |
| Lamp, AR-11, 20W, F, 32°, 2,000 Hrs | 250010240002 |
| Lamp, AR-11, 35W, 10°, 2,000 Hrs | 250010240003 |
| Lamp, AR-11, 35W, 30°, 2,000 Hrs | 250010240004 |



LB

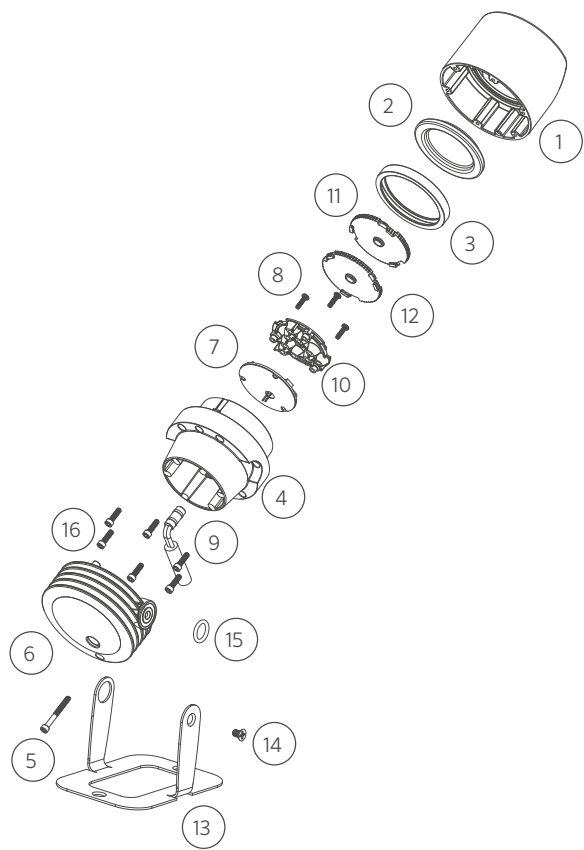
| ITEM | DESCRIPTION | CATALOG # |
|------|----------------------|------------------------|
| 1 | Clear Lens | - |
| 2 | Faceplate | - |
| 3 | Gasket | 250010990000 |
| 4 | Lamp, MR-16 | See Lamp Chart, p. 124 |
| 5 | Spring | 250011000000 |
| 6 | Housing | - |
| 7 | Screw, 10-24 x 3/8 | 250015870000 |
| 8 | Stand | 250010880000 |
| 9 | Thumb Screw, 10-24 | 250010900000 |
| 10 | Washer | 250010930000 |
| 1-2 | LB Lens Cap Assembly | LBLCBS |



LL LED

| ITEM | DESCRIPTION | CATALOG # |
|------|-------------------------------------|---------------|
| 1 | Shroud, LL | 250025450000 |
| 2 | Lens, Diameter 2.35", Clear | 250025510000 |
| | Lens, Diameter 2.35", Clear Frosted | 250025510001 |
| 3 | Gasket, Silicone | 250025470000 |
| 4 | Body, LL | |
| 5 | Screw, SH, 6-32 x 1 1/4", SST | 250025500000 |
| 6 | Back Cap | 250025440000 |
| 7 | LED Board | See LED Chart |
| 8 | 4-40 x 7/16 Phil Pan M/SST | See LED Chart |
| 9 | Connector, STOW, Overmold, 30' | -- |
| 10 | Reflector, 6x/9x, G2 | See LED Chart |
| 11 | Filter, Color, 6x/9x, G2, Amber | See LED Chart |
| 12 | Diffuser, 6/9x, G2 | See LED Chart |
| 13 | Stand, SST | 250025480000 |
| 14 | Screw, FH, 10-24 x 5/16", SST | 250026750000 |
| 15 | O-Ring, Silicone, Orange, -112 | 250010280044 |
| 16 | Screw, SH, 6-32 x 1/2" LG, SST | 250010690000 |

† Replace "C" with "F" for frosted lens option



LL LED COMPONENTS

| ITEM | DESCRIPTION | CATALOG # |
|------|-------------------------------------|--------------|
| 4 | 1 LED Spot Lens (18°) | 770600 |
| 5 | 3 LED Spot Lens (18°) | 771300 |
| 6 | 6/9 LED Spot Lens (18°) | 771600 |
| 7 | 1 LED Color Filter, Amber | 770100 |
| 7 | 1 LED Color Filter, Blue | 770101 |
| 7 | 1 LED Color Filter, Green | 770102 |
| 8 | 3 LED Color Filter, Amber | 770800 |
| 8 | 3 LED Color Filter, Blue | 770801 |
| 8 | 3 LED Color Filter, Green | 770802 |
| 9 | 6/9 LED Color Filter, Amber | 771500 |
| 9 | 6/9 LED Color Filter, Blue | 771501 |
| 9 | 6/9 LED Color Filter, Green | 771502 |
| 10 | 1/3 LED Screw, 4-40 x 3/8 (Qty: 2) | 762400 |
| 11 | 6/9 LED Screw, 4-40 x 7/16 (Qty: 3) | 250014550000 |
| 12 | 1 LED Reflector | 770000 |
| 13 | 3 LED Reflector | 770700 |
| 14 | 6/9 LED Reflector | 771400 |
| 14 | ZDC LED Reflector | 250020690000 |
| 15 | 1 LED Board | 1LEDULKIT† |
| 16 | 3 LED Board | 3LEDULKIT* |
| 17 | 6 LED Board | 6LEDULKIT† |
| 18 | 9 LED Board | 9LEDULKIT† |
| 18 | ZDC LED Board | ZDCKITL** |

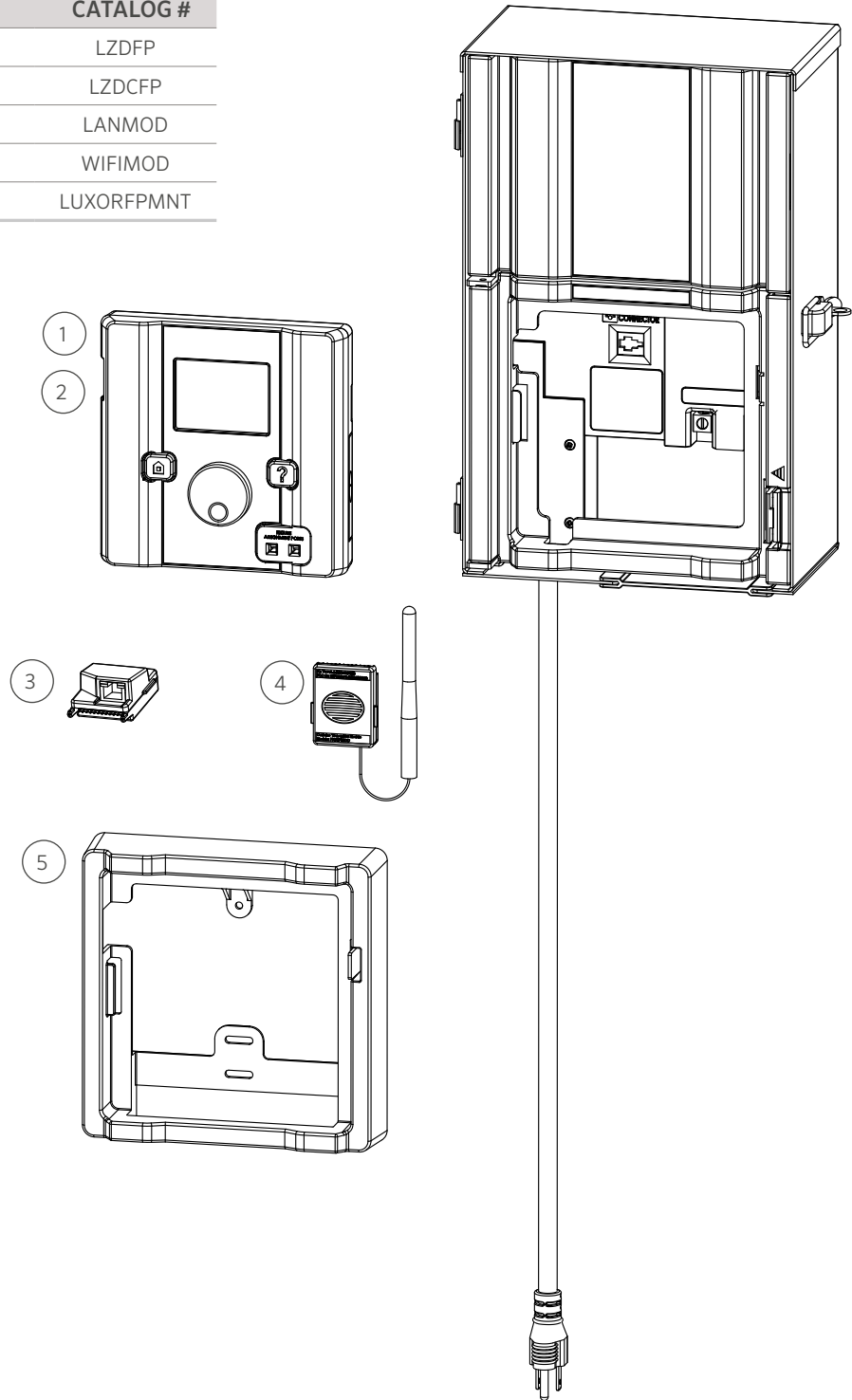
† ZD = zoneable and dimmable (add ZD to front of part number)

** ZDC kit includes LED board, reflector (#14), screws (#11), and flood lens diffuser (9LEDFLENS)

POWER CONTROLLERS

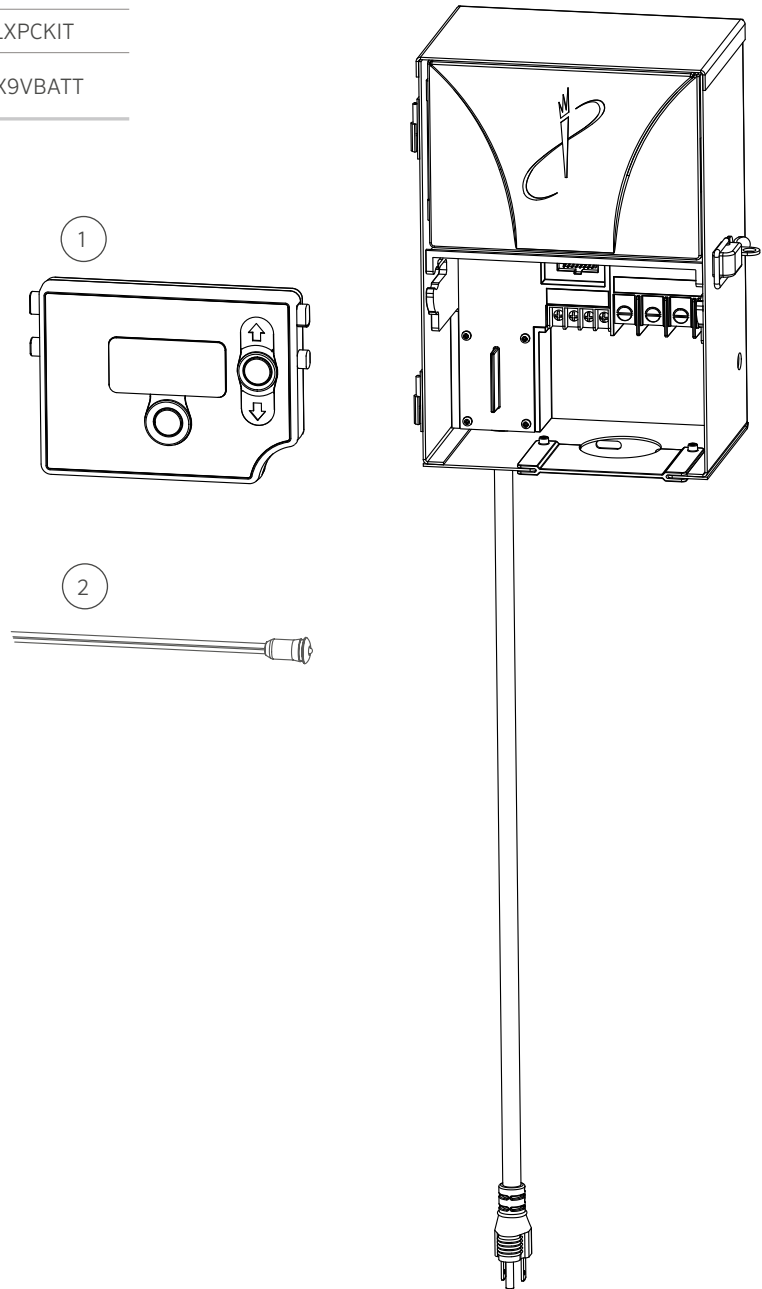
LUXOR ZD/ZDC

| ITEM | DESCRIPTION | CATALOG # |
|------|--------------------------------|------------|
| 1 | Luxor ZD Facepack | LZDFP |
| 2 | Luxor ZDC Facepack | LZDCFP |
| 3 | LAN Module for CAT5 Connection | LANMOD |
| 4 | Wi-Fi Module | WIFIMOD |
| 5 | Luxor Facepack Mount | LUXORFPMNT |



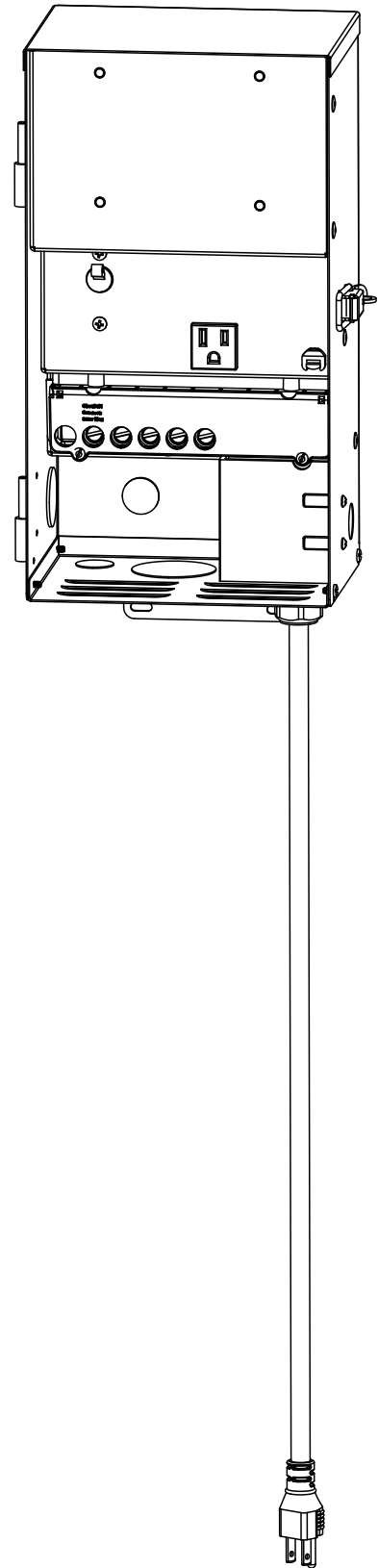
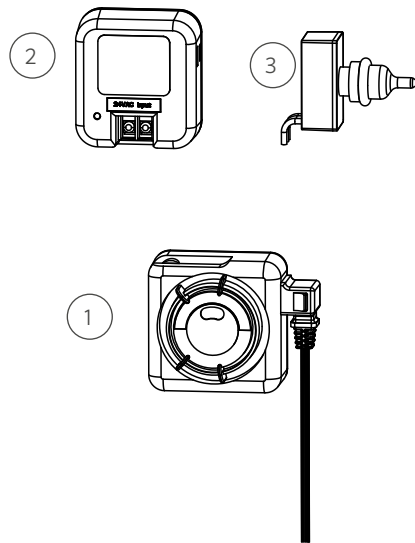
LX TRANSFORMER

| ITEM | DESCRIPTION | CATALOG # |
|------|---|-----------|
| 1 | LX Facepack | LXPFV2 |
| 2 | 26' Photocell Kit | LXPCKIT |
| 3 | 9V battery adapter (battery not included) | LX9VBATT |



PX TRANSFORMER

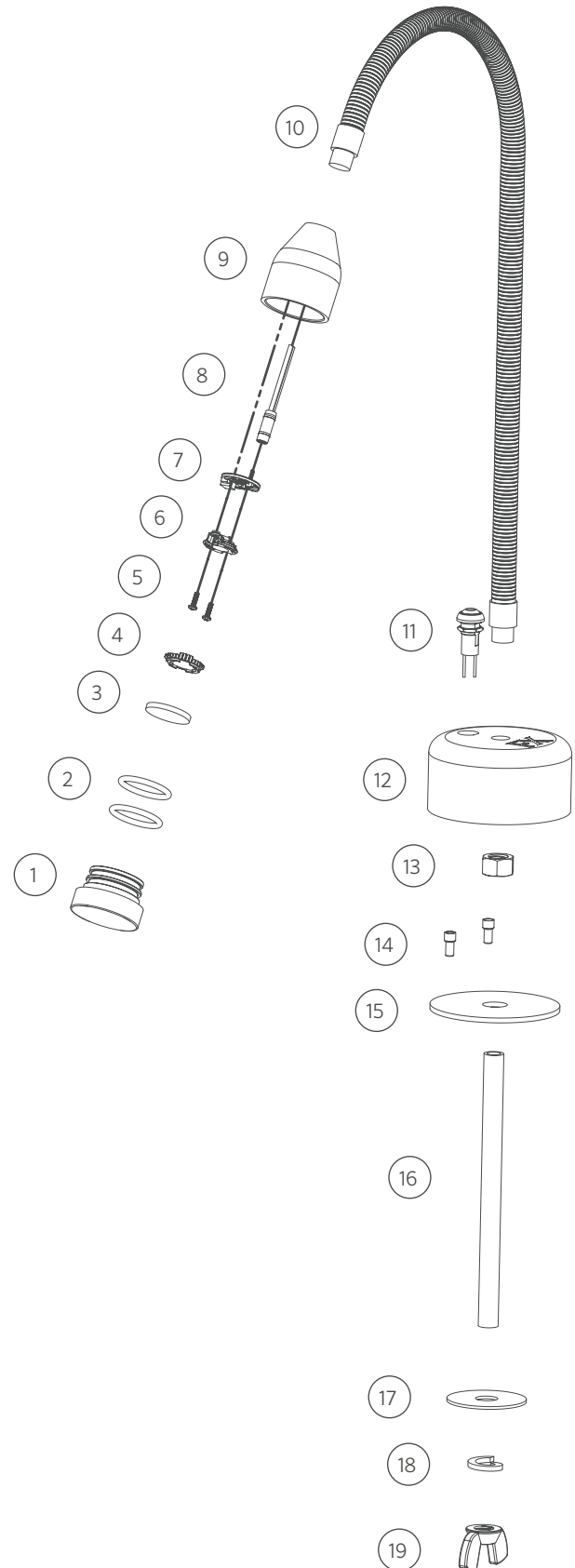
| ITEM | DESCRIPTION | CATALOG # |
|------|--|-----------|
| 1 | Mechanical Timer | PXTIMER |
| 2 | Lighting Synchronizer for control with irrigation controller | PXSYNC |
| 3 | Photocell | PXPC |



SPECIALTY LIGHTS

BQ

| ITEM | DESCRIPTION | CATALOG # |
|------|---------------------------|---------------|
| 1 | Shroud | - |
| 2 | O-Ring | 250010280015 |
| 3 | Lens | - |
| 1-3 | Lens Cap Assembly (Clear) | BQLCSS |
| 4 | Diffuser | See LED Chart |
| 5 | Screw | See LED Chart |
| 6 | LED Reflector | See LED Chart |
| 7 | LED Board | See LED Chart |
| 8 | Socket, 1.5-meter | 752600 |
| 9 | Body | - |
| 10 | Flexible Conduit | 250019580000 |
| 11 | Push Button Switch | 250019590000 |
| 12 | Base | - |
| 13 | Hex Nut, 1/2-13 | 250019830000 |
| 14 | Wire Crimp Connector | 250010920000 |
| 15 | Base Gasket | 250019560000 |
| 16 | Mounting Rod | 250019570000 |
| 17 | Fender Washer, 1/2" | 250019870000 |
| 18 | Lock Washer, Split, 1/2" | 250019820000 |
| 19 | Wing Nut, 1/2-13 | 250019840000 |
| 1-3 | Lens Cap Assembly | BQLCSS |



BQ LED COMPONENTS

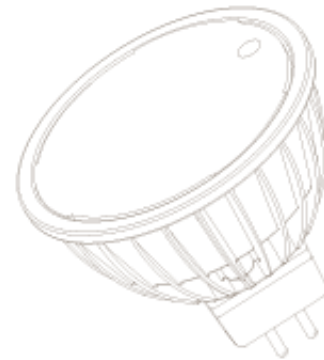
| ITEM | DESCRIPTION | CATALOG # |
|------|---------------------------|------------|
| 4 | 1 LED Diffuser | 770600 |
| 5 | 1/3 LED Screw, 4-40 x 3/8 | 762400 |
| 6 | 1 LED Reflector | 770000 |
| 7 | LED Board | 1LEDULKIT† |

†ZD = zoneable and dimmable (add ZD to front of part number)

LAMPS

LED MR-16 Lamp Chart

| DESCRIPTION | CATALOG # |
|---|--------------|
| LED, MR-16, 20W, 10°, 2700K, 40,000 Hrs | MR16LED20WVN |
| LED, MR-16, 20W, 25°, 2700K, 40,000 Hrs | MR16LED20WNF |
| LED, MR-16, 20W, 35°, 2700K, 40,000 Hrs | MR16LED20WFL |
| LED, MR-16, 20W, 60°, 2700K, 40,000 Hrs | MR16LED20WWF |
| LED, MR-16, 20W, 10°, 3900K, 40,000 Hrs | MR16LED20CVN |
| LED, MR-16, 20W, 25°, 3900K, 40,000 Hrs | MR16LED20CNF |
| LED, MR-16, 20W, 35°, 3900K, 40,000 Hrs | MR16LED20CFL |
| LED, MR-16, 20W, 60°, 3900K, 40,000 Hrs | MR16LED20CWF |
| LED, MR-16, 35W, 10°, 2700K, 40,000 Hrs | MR16LED35WVN |
| LED, MR-16, 35W, 25°, 2700K, 40,000 Hrs | MR16LED35WNF |
| LED, MR-16, 35W, 35°, 2700K, 40,000 Hrs | MR16LED35WFL |
| LED, MR-16, 35W, 60°, 2700K, 40,000 Hrs | MR16LED35WWF |
| LED, MR-16, 35W, 10°, 3900K, 40,000 Hrs | MR16LED35CVN |
| LED, MR-16, 35W, 25°, 3900K, 40,000 Hrs | MR16LED35CNF |
| LED, MR-16, 35W, 35°, 3900K, 40,000 Hrs | MR16LED35CFL |
| LED, MR-16, 35W, 60°, 3900K, 40,000 Hrs | MR16LED35CWF |

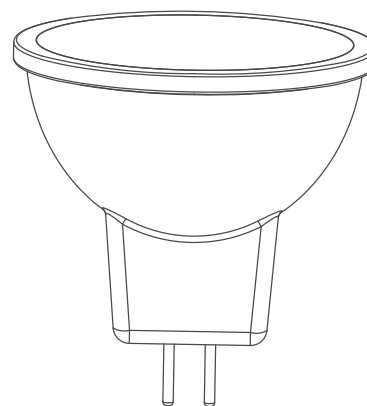


LED MR-16 ZD Lamp Chart

| DESCRIPTION | CATALOG # |
|--|-------------|
| LED, ZD MR-16, 20W, 10°, 2700K, 40,000 Hrs | MR16ZD20WVN |
| LED, ZD MR-16, 20W, 25°, 2700K, 40,000 Hrs | MR16ZD20WNF |
| LED, ZD MR-16, 20W, 35°, 2700K, 40,000 Hrs | MR16ZD20WFL |
| LED, ZD MR-16, 20W, 60°, 2700K, 40,000 Hrs | MR16ZD20WWF |
| LED, ZD MR-16, 20W, 10°, 3900K, 40,000 Hrs | MR16ZD20CVN |
| LED, ZD MR-16, 20W, 25°, 3900K, 40,000 Hrs | MR16ZD20CNF |
| LED, ZD MR-16, 20W, 35°, 3900K, 40,000 Hrs | MR16ZD20CFL |
| LED, ZD MR-16, 20W, 60°, 3900K, 40,000 Hrs | MR16ZD20CWF |
| LED, ZD MR-16, 35W, 10°, 2700K, 40,000 Hrs | MR16ZD35WVN |
| LED, ZD MR-16, 35W, 25°, 2700K, 40,000 Hrs | MR16ZD35WNF |
| LED, ZD MR-16, 35W, 35°, 2700K, 40,000 Hrs | MR16ZD35WFL |
| LED, ZD MR-16, 35W, 60°, 2700K, 40,000 Hrs | MR16ZD35WWF |
| LED, ZD MR-16, 35W, 10°, 3900K, 40,000 Hrs | MR16ZD35CVN |
| LED, ZD MR-16, 35W, 25°, 3900K, 40,000 Hrs | MR16ZD35CNF |
| LED, ZD MR-16, 35W, 35°, 3900K, 40,000 Hrs | MR16ZD35CFL |
| LED, ZD MR-16, 35W, 60°, 3900K, 40,000 Hrs | MR16ZD35CWF |

MR-16 Lamp Chart

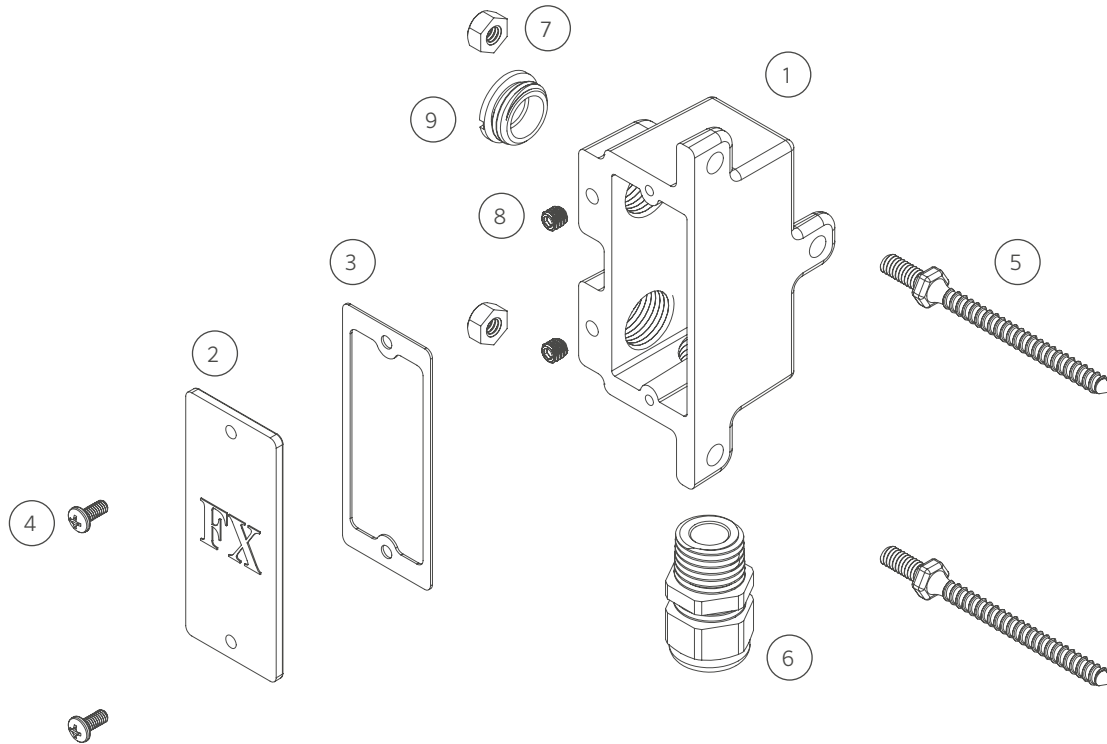
| DESCRIPTION | CATALOG # |
|---------------------------------|--------------|
| Lamp, MR-16, 10W, 32°, 1.2K Hrs | 250010220001 |
| Lamp, MR-16, 20W, 12°, 5K Hrs | 250010220002 |
| Lamp, MR-16, 20W, 24°, 5K Hrs | 250010220003 |
| Lamp, MR-16, 20W, 24°, 10K Hrs | 250010220004 |
| Lamp, MR-16, 20W, 36°, 5K Hrs | 250010220005 |
| Lamp, MR-16, 20W, 36°, 10K Hrs | 250010220006 |
| Lamp, MR-16, 20W, 36°, 12K Hrs | 250010220007 |
| Lamp, MR-16, 20W, 60°, 5K Hrs | 250010220008 |
| Lamp, MR-16, 35W, 12°, 5K Hrs | 250010220009 |
| Lamp, MR-16, 35W, 24°, 5K Hrs | 250010220010 |
| Lamp, MR-16, 35W, 24°, 10K Hrs | 250010220011 |
| Lamp, MR-16, 35W, 36°, 5K Hrs | 250010220012 |
| Lamp, MR-16, 35W, 36°, 10K Hrs | 250010220013 |
| Lamp, MR-16, 35W, 36°, 18K Hrs | 250010220014 |
| Lamp, MR-16, 35W, 60°, 5K Hrs | 250010220015 |
| Lamp, MR-16, 50W, 12°, 5K Hrs | 250010220016 |
| Lamp, MR-16, 50W, 12°, 10K Hrs | 250010220017 |
| Lamp, MR-16, 50W, 25°, 5K Hrs | 250010220018 |
| Lamp, MR-16, 50W, 24°, 10K Hrs | 250010220019 |
| Lamp, MR-16, 50W, 36°, 5K Hrs | 250010220020 |
| Lamp, MR-16, 50W, 36°, 10K Hrs | 250010220021 |
| Lamp, MR-16, 50W, 36°, 18K Hrs | 250010220022 |
| Lamp, MR-16, 50W, 60°, 5K Hrs | 250010220023 |



ACCESSORIES

TB TREEBOX

| ITEM | DESCRIPTION | CATALOG # |
|------|---|--------------|
| 1 | Housing, TreeBox | - |
| 2 | Cover, TreeBox | - |
| 3 | Gasket, TreeBox | - |
| 4 | Screw, PNH, 8-32 x.38 LG, MACH, Phillips, SST | 250011950000 |
| 5 | Stud, Wood, Threaded Screw | - |
| 6 | Cord Grip, Liquid Tight, 3231 | 250015330000 |
| 7 | Nut, Hex, 1/4-20, SST | - |
| 8 | Setscrew, 1/4-20 x .25 LG, Cup Point, SST | 250015320000 |
| 9 | Plug, 1/2-14 NPT | 250014460000 |
| 5, 7 | TB Screw Kit | TBSCRWKIT |



FXLuminaire[®]

A Hunter Industries Company

Our mission is to create the most energy-efficient lighting products in the world while maintaining the highest level of quality and reliability. In every instance, we will back our innovations with the unwavering support our customers need to succeed.



Gregory R. Hunter, CEO of Hunter Industries

Website fxl.com | Customer Support 760-744-5240 | Technical Service 760-591-7383

This brochure was printed on Forest Stewardship Council[®] (FSC) certified paper with soy inks. The FSC is an international organization established to promote the responsible management of the world's forests.

© 2017 Hunter Industries Incorporated  Please recycle.

FXLIT-027-US H 12/17

